

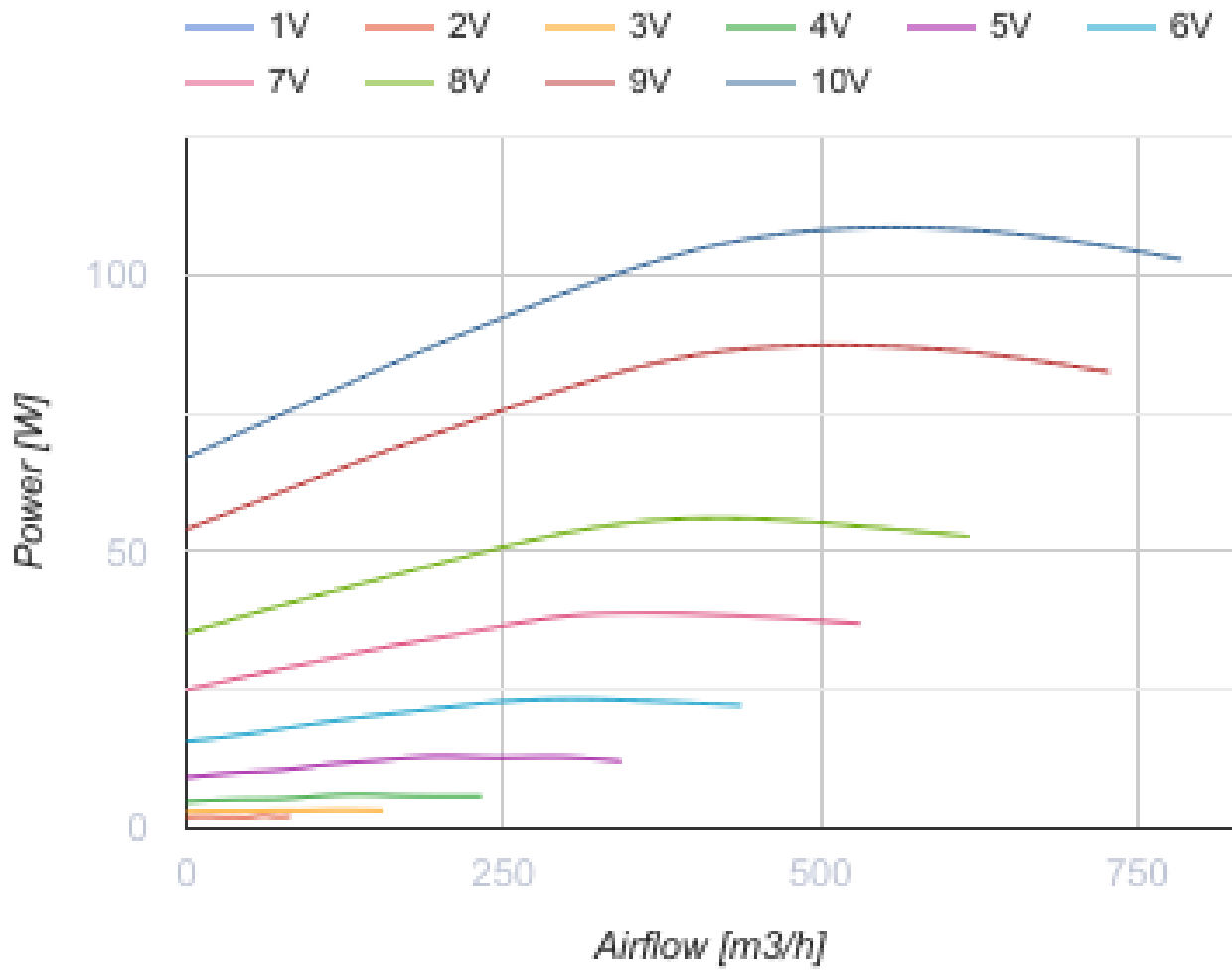


Centro-M EC 160

Inline mixed-flow fans with EC motor

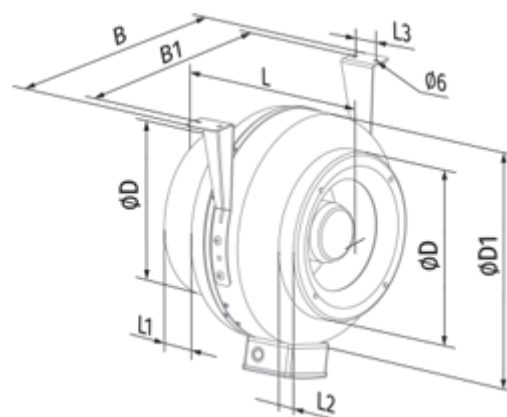
- Maximum airflow: 785
- Sound pressure level LpA at 3 m: 48
- Motor type: EC
- Impeller type: Centrifugal impeller with backward curved blades
- Casing material: Coated steel
- Installation in any position

	Unit of measurement	Centro-M EC 160
Connected air duct size	mm	160
Speed	-	1
Minimum supply voltage	V	230
Maximum supply voltage	V	230
Power supply frequency	Hz	50/60
Rated power	W	108
Unit current	A	0.9
Maximum airflow	m ³ /h	785
Sound pressure level LpA at 3 m	dB(A)	48
Weight	kg	4.9
Transported air temperature (max)	°C	60
Transported air temperature (min)	°C	-25
Ingress protection rating	-	IPX4
Ingress protection rating of the drive	-	IP44

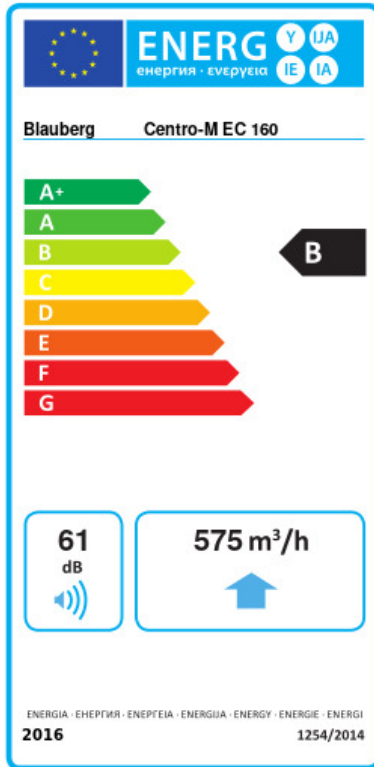


Dimensions

ØD	ØD1	B	B1	L	L1	L2	L3
159	305	360	320	240	25	25	30



Ecodesign



Trademark	Blauberg					
Model	Centro-M EC 160					
Specific energy consumption (SEC) (kWh/(m ² /a))	Cold	Average	Warm			
	-54.1	A+	-27.1	B	-11.6	E
Type of ventilation unit	Unidirectional					
Type of drive installed	Variable speed					
Type of heat recovery system	None					
Maximum flow rate (m ³ /h)	575					
Electric power input (W)	102					
Reference flow rate (m ³ /s)	0.112					
Reference pressure difference (Pa)	50					
Specific power input (SPI) (W/(m ³ /h))	0.093					
Control typology	Local demand control					
Maximum external leakage rates (%)	2.7					
Declared typology	RVU UVU					
Sound power level (dB(A))	61					
The annual electricity consumption (AEC) (kWh/a)	Cold	Average	Warm			
	49	49	49			
The annual heating saved (AHS) (kWh/a)	Cold	Average	Warm			
	5536	2830	1280			

Accessories

Thyristor speed controllers

Name	Photo	Description
CDT E1.8		Thyristor speed controller