

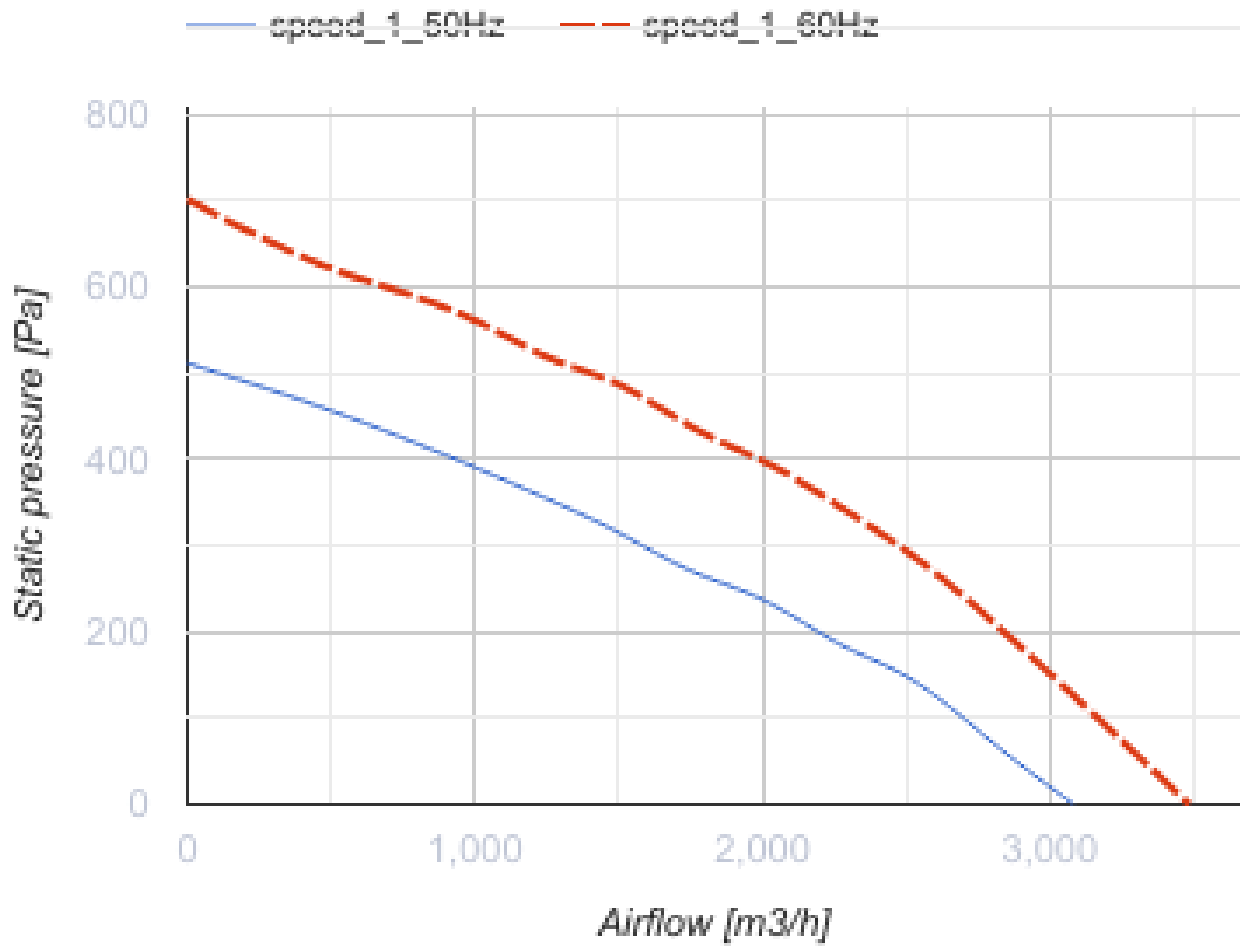


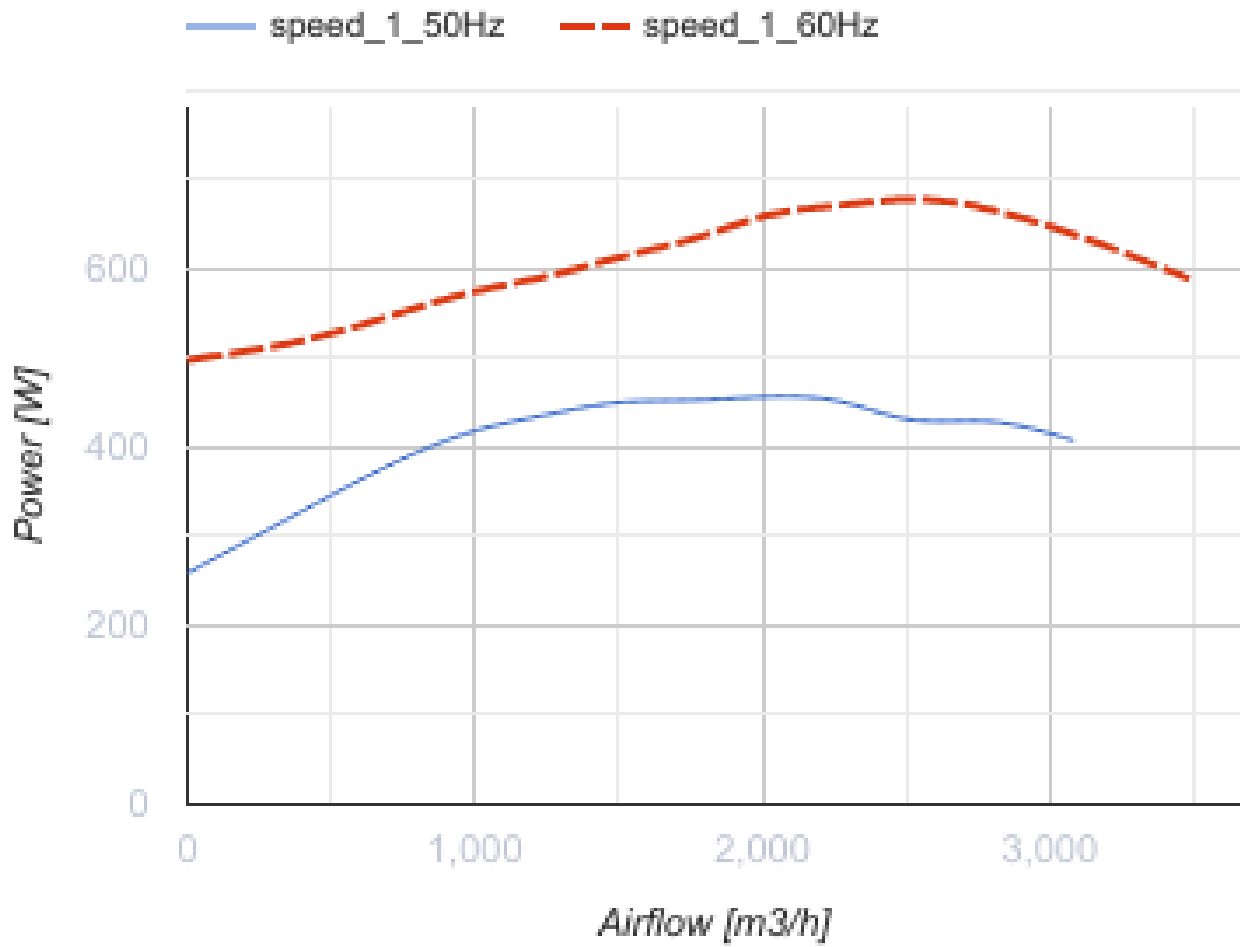
Centro-M 400

Inline centrifugal fans

- Maximum airflow: 3090
- Sound pressure level LpA at 3 m: 61
- Motor type: AC
- Impeller type: Centrifugal impeller with backward curved blades
- Casing material: Coated steel
- Installation in any position

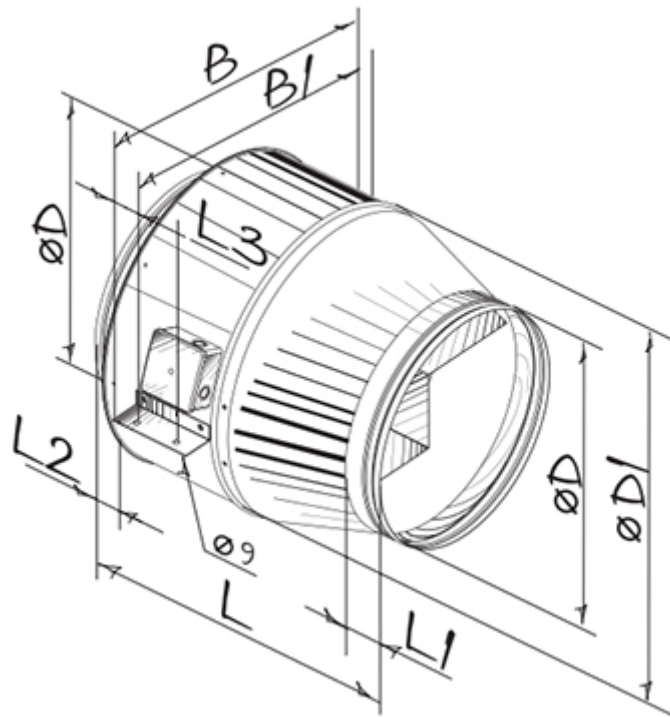
	Unit of measurement	Centro-M 400
Connected air duct size	mm	400
Speed	-	1
Minimum supply voltage	V	220
Maximum supply voltage	V	240
Power supply frequency	Hz	50/60
Rated power	W	460
Unit current	A	2.23
Maximum airflow	m ³ /h	3090
Sound pressure level LpA at 3 m	dB(A)	61
Weight	kg	25.1
Transported air temperature (max)	°C	80
Transported air temperature (min)	°C	-40
Ingress protection rating	-	IPX4
Ingress protection rating of the drive	-	IP54





Dimensions

ØD	ØD1	B	B1	L	L1	L2	L3
398	570	663	634	570	60	60	70




Ecodesign

Trademark	Blauberg
Model	Centro-M 400
Type of ventilation unit	Unidirectional
Type of drive installed	External MSD or VSD
Type of heat recovery system	None
Nominal flow rate (m ³ /s)	0.419
Nominal external pressure (Pa)	312
Maximum external leakage rates (%)	2.7
Static efficiency (%)	29.7
Declared typology	NRVU UVU
Sound power level (dB(A))	81
Effective electric power input (kW)	0.449

Accessories

Thyristor speed controllers

Name	Photo	Description
CDT E1.8		Thyristor speed controller