

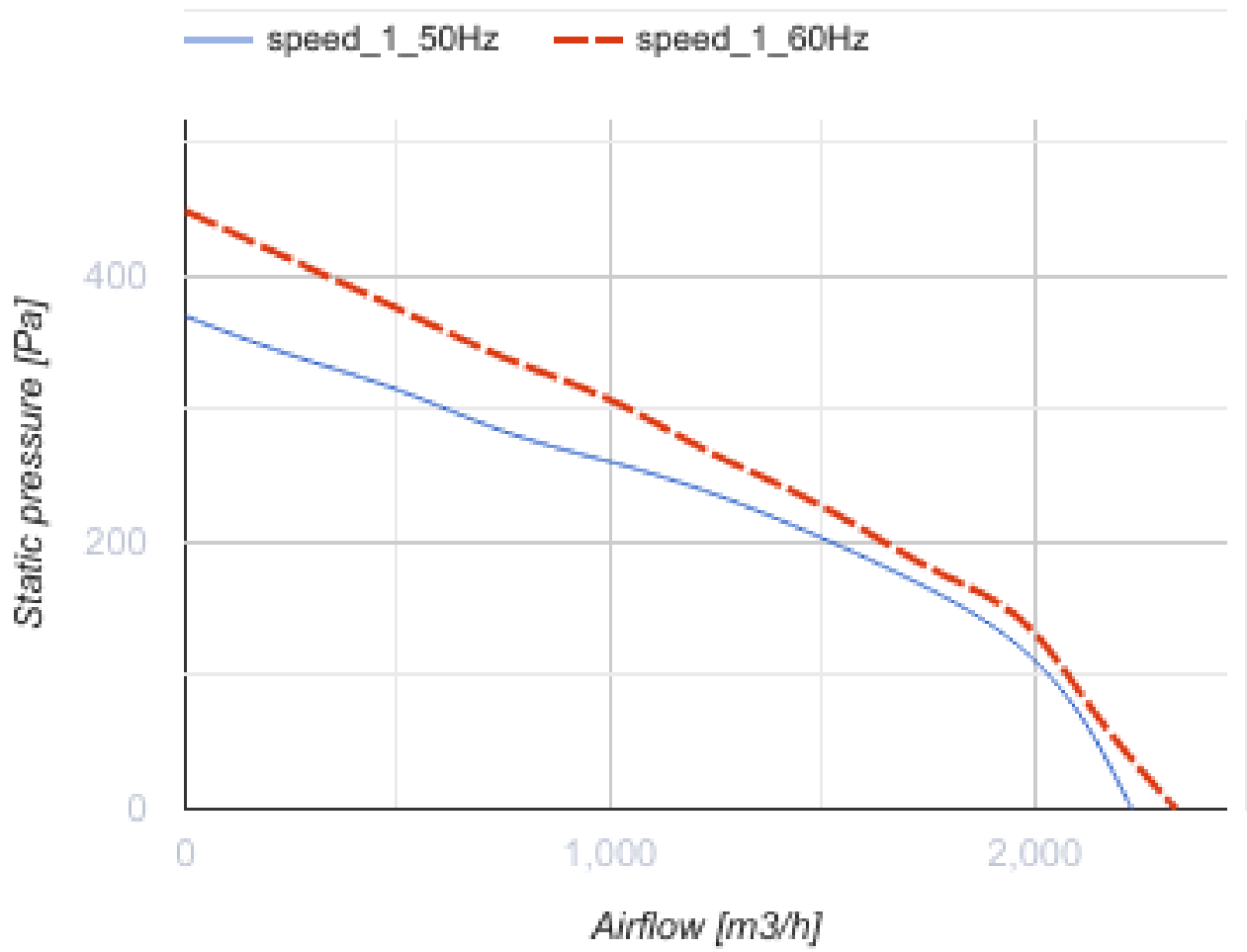


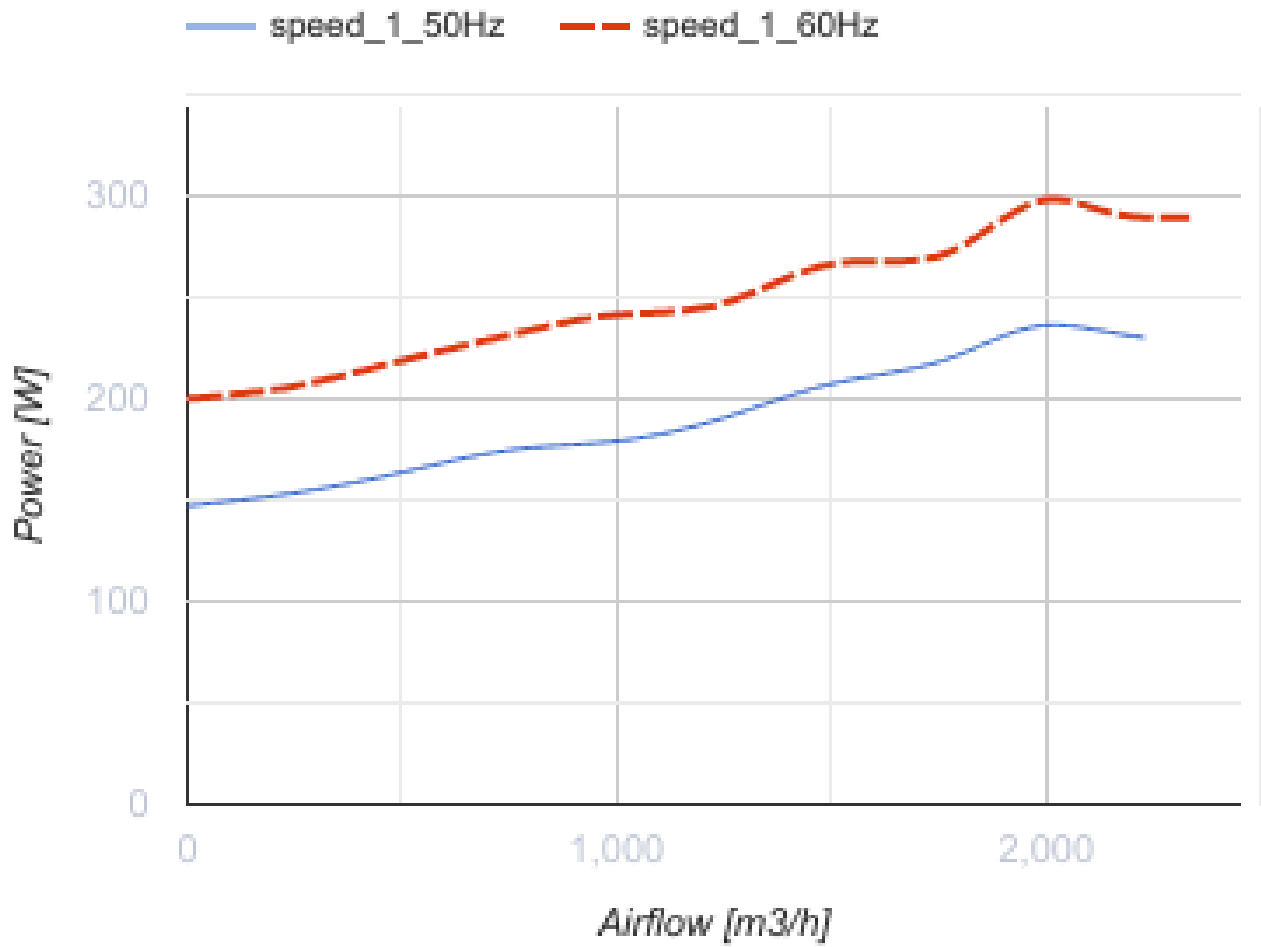
Centro-M 355 L

Centrifugal inline fans

- Maximum airflow: 2250
- Sound pressure level LpA at 3 m: 58
- Motor type: AC
- Impeller type: Centrifugal impeller with backward curved blades
- Casing material: Coated steel
- Installation in any position

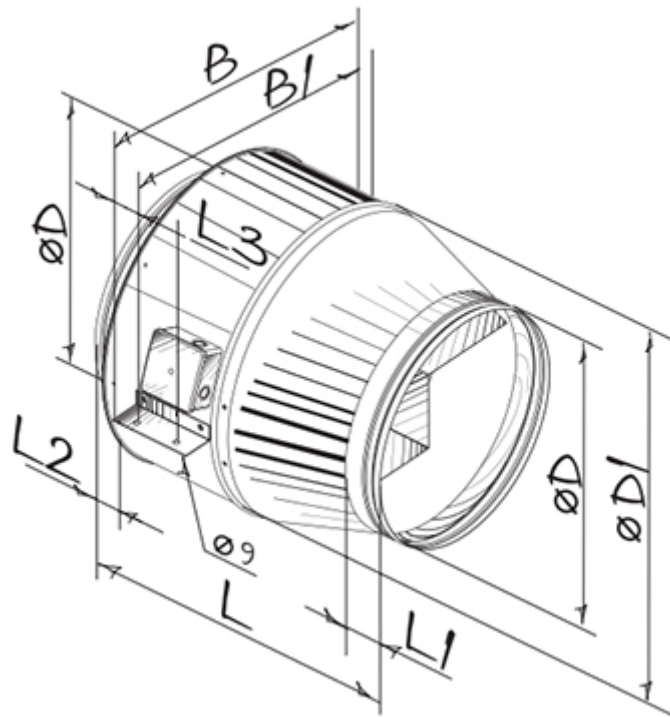
	Unit of measurement	Centro-M 355 L
Connected air duct size	mm	355
Speed	-	1
Minimum supply voltage	V	220
Maximum supply voltage	V	240
Power supply frequency	Hz	50/60
Rated power	W	233
Unit current	A	1.06
Maximum airflow	m ³ /h	2250
Sound pressure level LpA at 3 m	dB(A)	58
Weight	kg	18.8
Transported air temperature (max)	°C	45
Transported air temperature (min)	°C	-25
Ingress protection rating	-	IPX4
Ingress protection rating of the drive	-	IP54





Dimensions

ØD	ØD1	B	B1	L	L1	L2	L3
353	460	522	522	506	60	60	70




Ecodesign

Trademark	Blauberg
Model	Centro-M 355 L
Type of ventilation unit	Unidirectional
Type of drive installed	External MSD or VSD
Type of heat recovery system	None
Nominal flow rate (m ³ /s)	0.473
Nominal external pressure (Pa)	172
Maximum external leakage rates (%)	2.7
Static efficiency (%)	37.8
Declared typology	NRVU UVU
Effective electric power input (kW)	0.22
Sound power level (dB(A))	78

Accessories

Other accessories

Name	Photo	Description
CDT E1.8		Thyristor speed controller