

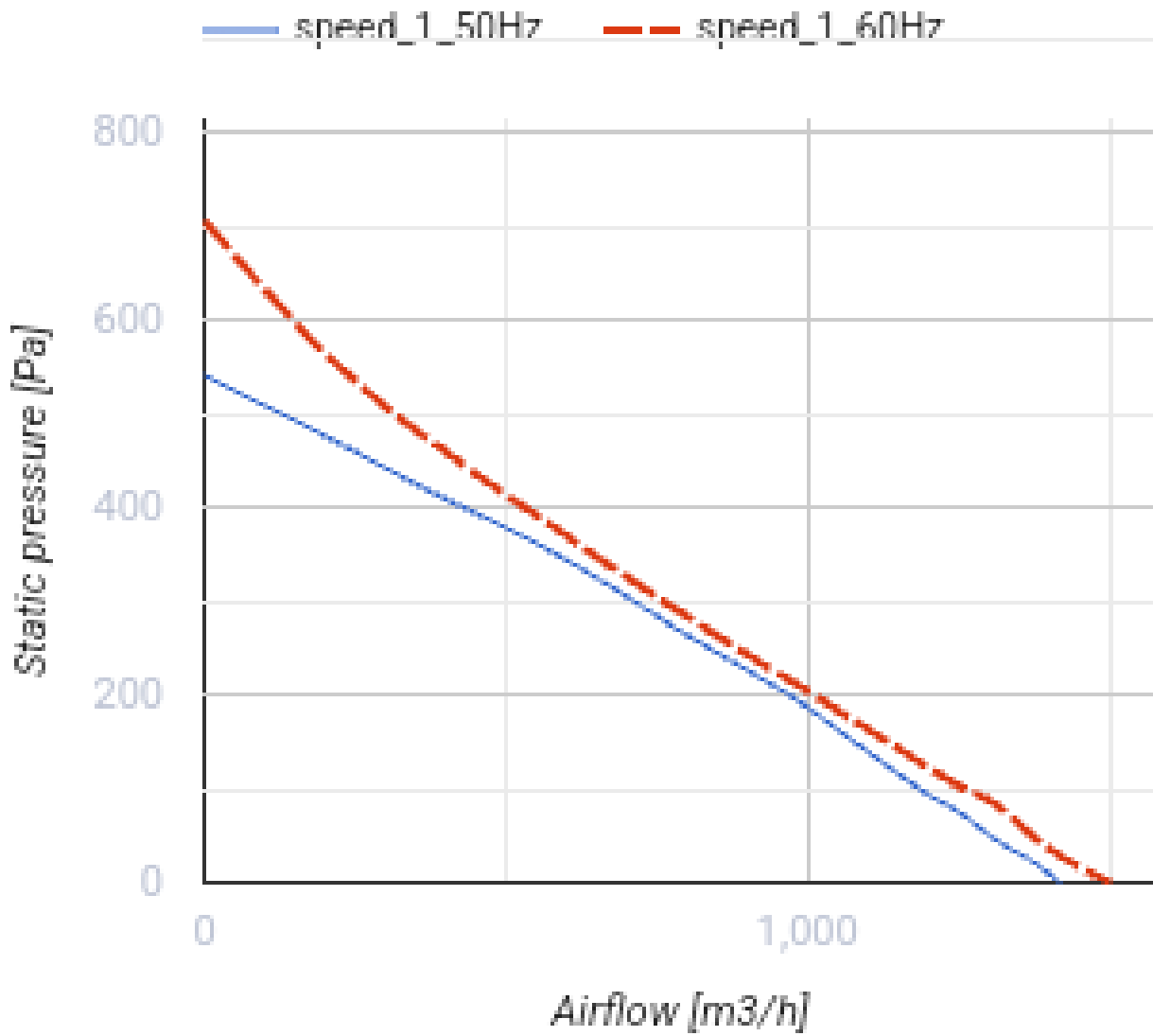


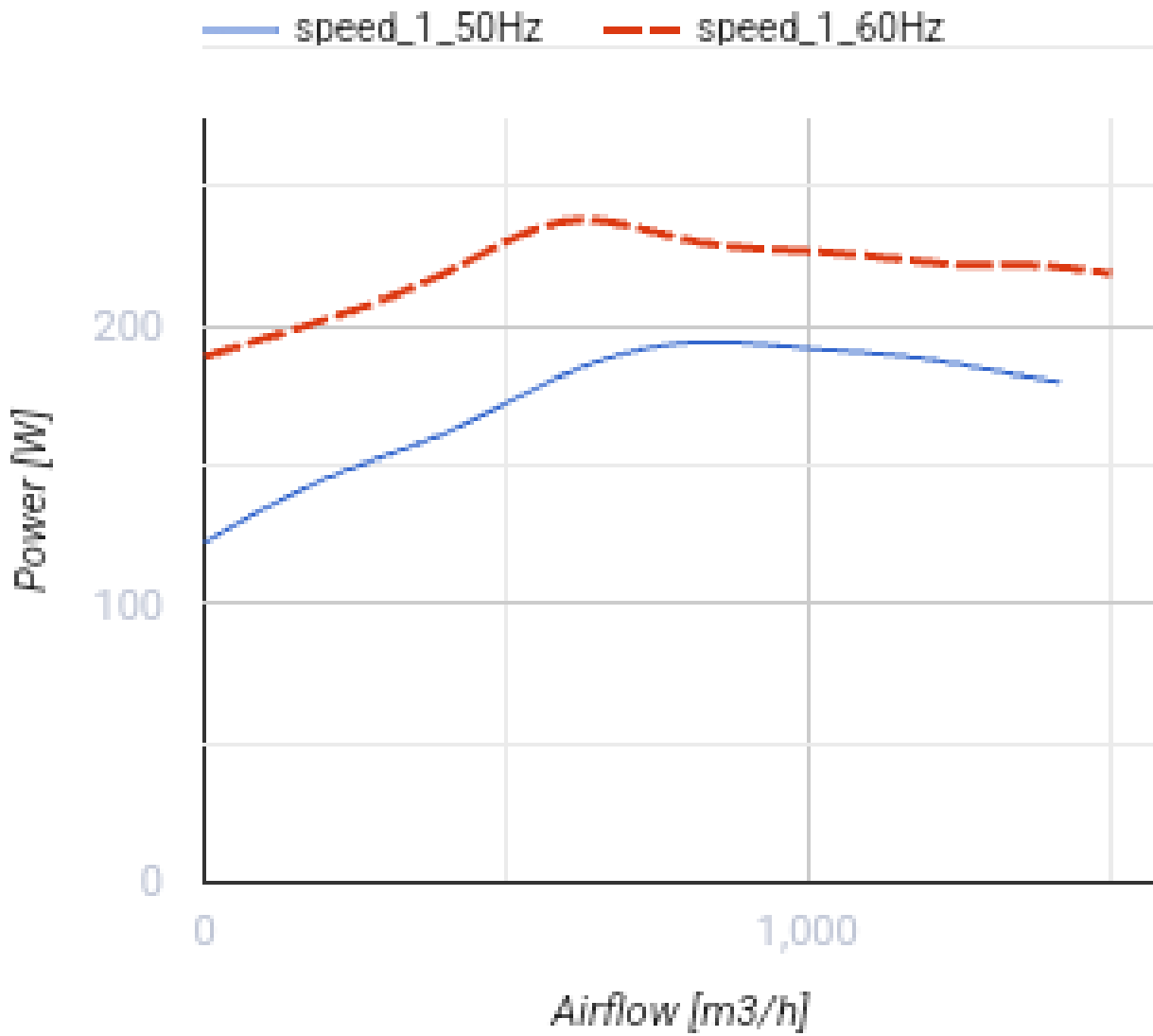
Centro-M 250

Centrifugal inline fans

- Maximum airflow: 1420
- Sound pressure level LpA at 3 m: 50
- Motor type: AC
- Impeller type: Centrifugal impeller with backward curved blades
- Casing material: Coated steel
- Installation in any position

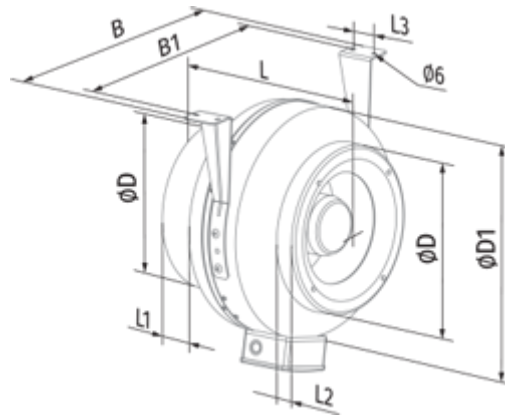
	Unit of measurement	Centro-M 250
Connected air duct size	mm	250
Speed	-	1
Minimum supply voltage	V	220
Maximum supply voltage	V	240
Power supply frequency	Hz	50/60
Rated power	W	194
Unit current	A	0.85
Maximum airflow	m ³ /h	1420
Sound pressure level LpA at 3 m	dB(A)	50
Weight	kg	8.4
Transported air temperature (max)	°C	45
Transported air temperature (min)	°C	-25
Ingress protection rating	-	IPX4
Ingress protection rating of the drive	-	IP44





Dimensions

ØD	ØD1	B	B1	L	L1	L2	L3
248	345	395	355	250	25	30	40




Ecodesign

Trademark	Blauberg
Model	Centro-M 250
Type of ventilation unit	Unidirectional
Type of drive installed	External MSD or VSD
Type of heat recovery system	None
Nominal flow rate (m ³ /s)	0.159
Nominal external pressure (Pa)	349
Maximum external leakage rates (%)	2.7
Static efficiency (%)	31.9
Declared typology	NRVU UVU
Effective electric power input (kW)	0.178
Sound power level (dB(A))	72

Accessories

Other accessories

Name	Photo	Description
CDT E1.8		Thyristor speed controller