

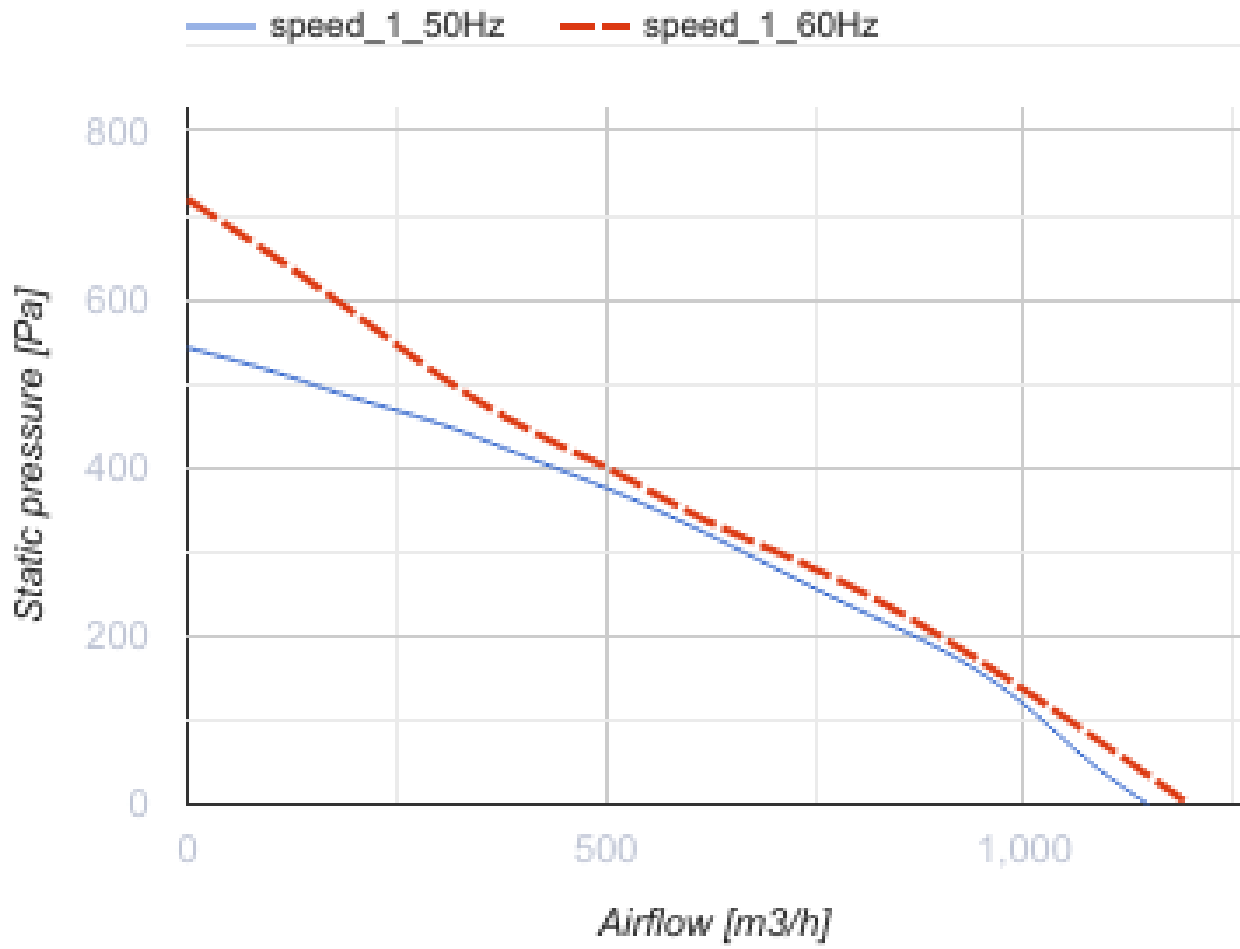


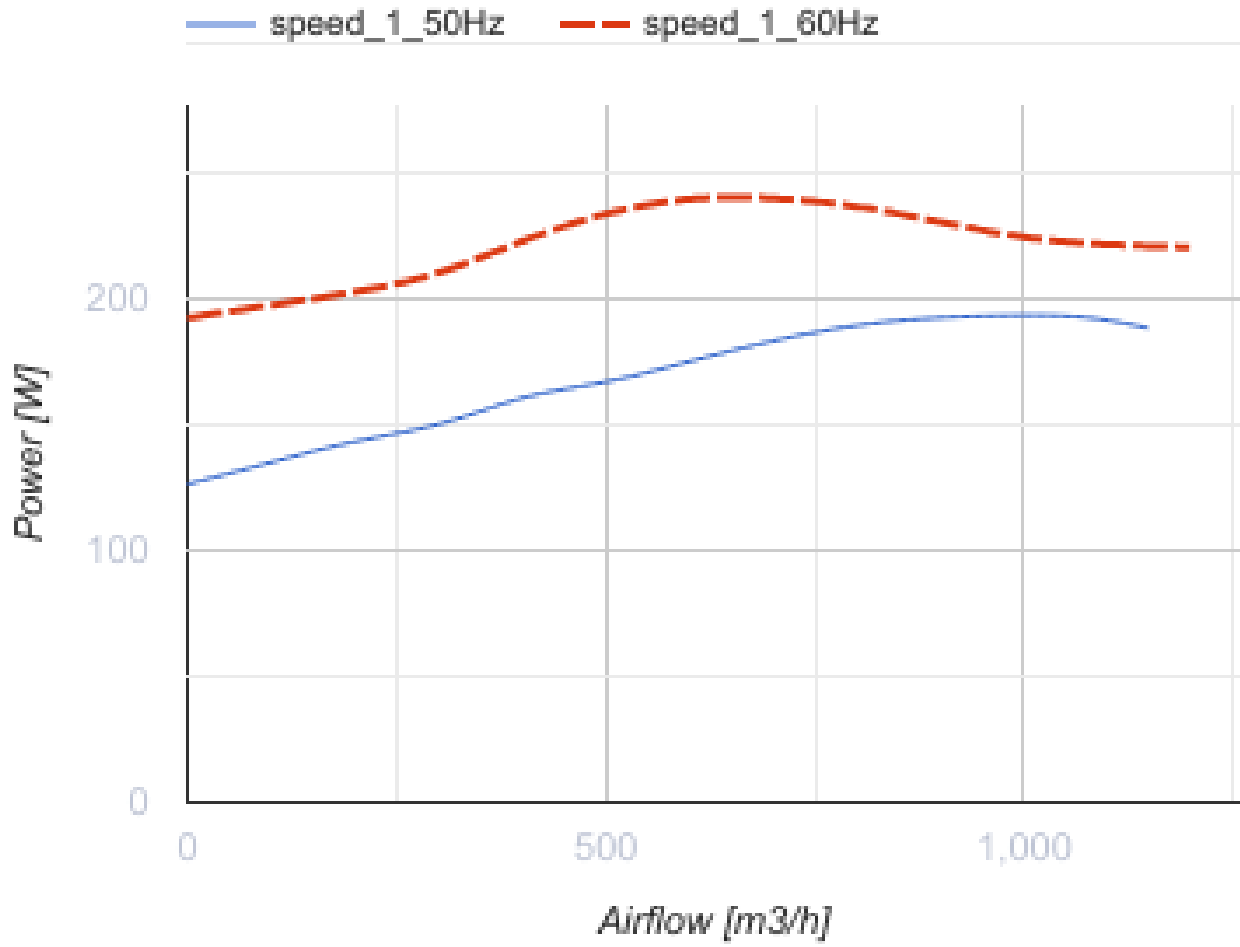
Centro-M 200 max

Inline centrifugal fans

- Maximum airflow: 1150
- Sound pressure level LpA at 3 m: 49
- Motor type: AC
- Impeller type: Centrifugal impeller with backward curved blades
- Casing material: Coated steel
- Installation in any position

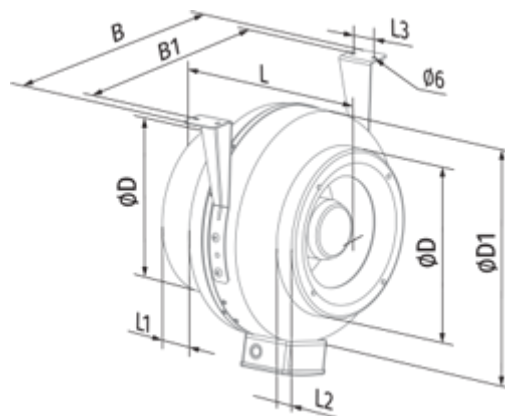
	Unit of measurement	Centro-M 200 max
Connected air duct size	mm	200
Speed	-	1
Minimum supply voltage	V	220
Maximum supply voltage	V	240
Power supply frequency	Hz	50/60
Rated power	W	193
Unit current	A	0.84
Maximum airflow	m ³ /h	1150
Sound pressure level LpA at 3 m	dB(A)	49
Weight	kg	8.3
Transported air temperature (max)	°C	45
Transported air temperature (min)	°C	-25
Ingress protection rating	-	IPX4
Ingress protection rating of the drive	-	IP44





Dimensions

ØD	ØD1	B	B1	L	L1	L2	L3
198	344	390	350	250	25	29	40




Ecodesign

Trademark	Blauberg
Model	Centro-M 200 max
Type of ventilation unit	Unidirectional
Type of drive installed	External MSD or VSD
Type of heat recovery system	None
Nominal flow rate (m ³ /s)	0.151
Nominal external pressure (Pa)	353
Maximum external leakage rates (%)	2.7
Static efficiency (%)	32
Declared typology	NRVU UVU
Effective electric power input (kW)	0.17
Sound power level (dB(A))	71

Accessories

Thyristor speed controllers

Name	Photo	Description
CDT E1.8		Thyristor speed controller