

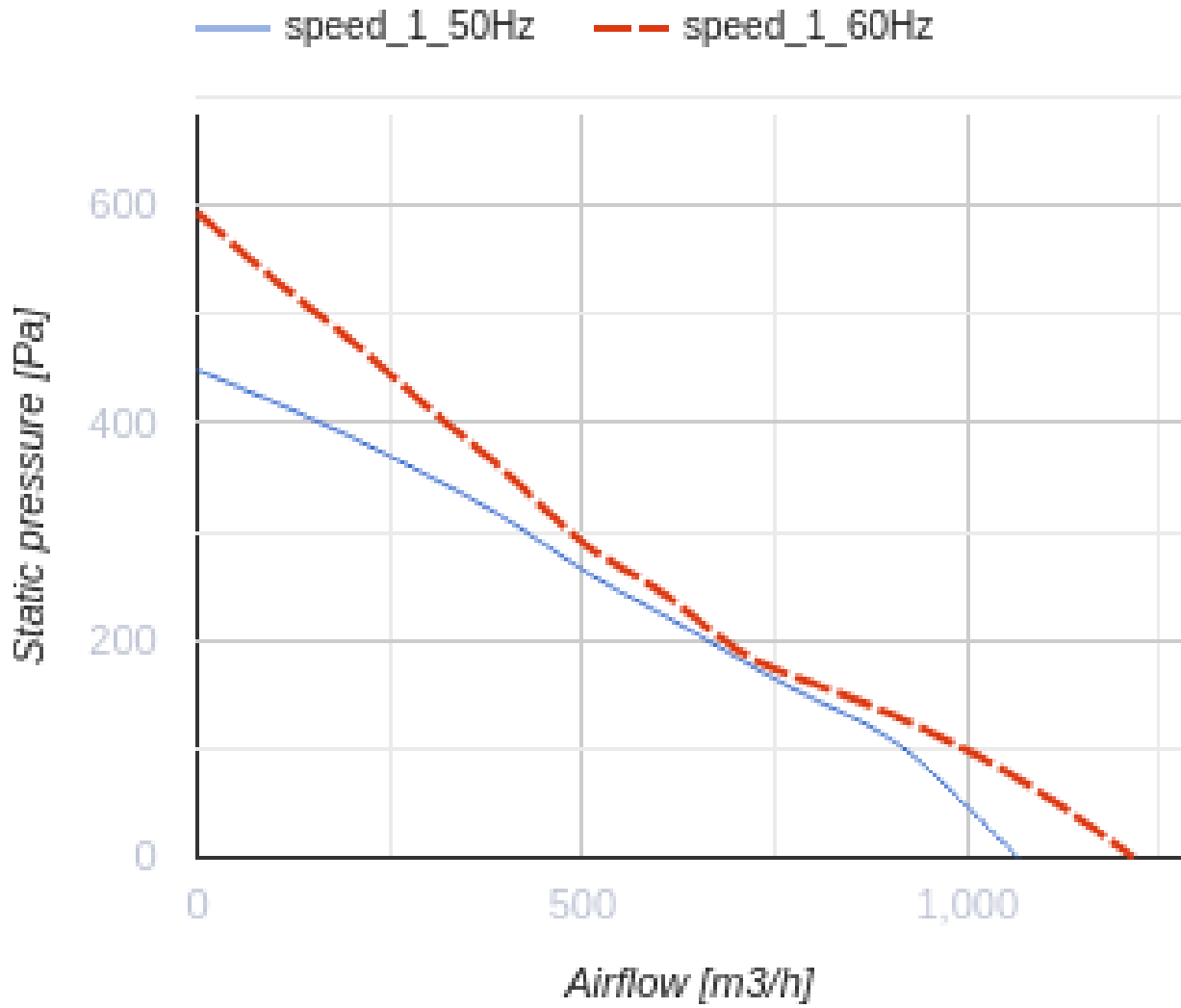


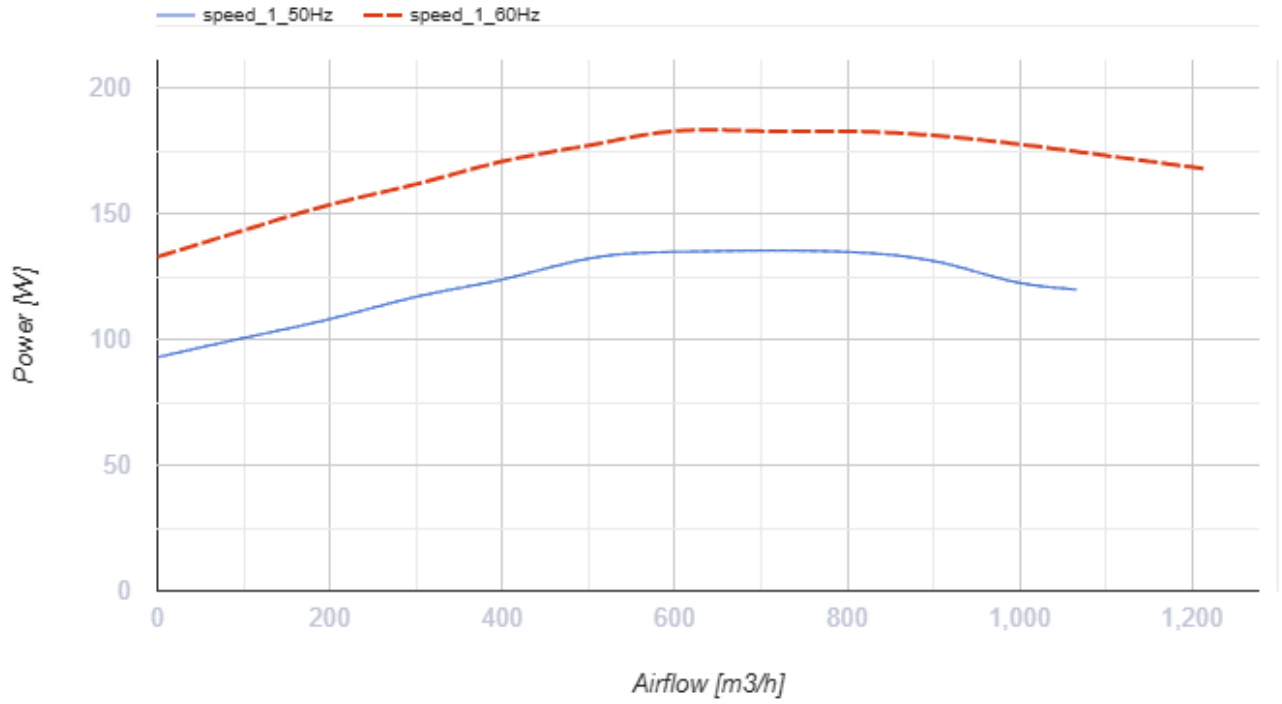
Centro-M 200

Centrifugal inline fans

- Maximum airflow: 1070
- Sound pressure level LpA at 3 m: 48
- Motor type: AC
- Impeller type: Centrifugal impeller with backward curved blades
- Casing material: Coated steel
- Installation in any position

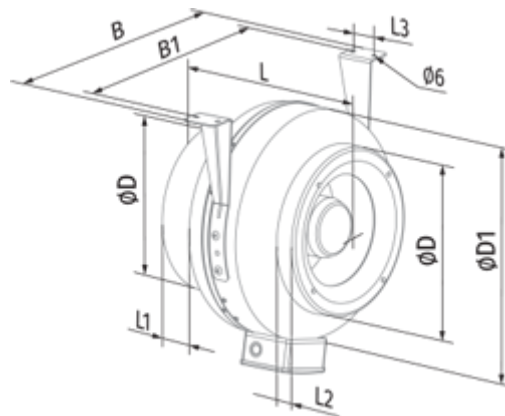
	Unit of measurement	Centro-M 200
Connected air duct size	mm	200
Speed	-	1
Minimum supply voltage	V	220
Maximum supply voltage	V	240
Power supply frequency	Hz	50/60
Rated power	W	135
Unit current	A	0.59
Maximum airflow	m ³ /h	1070
Sound pressure level LpA at 3 m	dB(A)	48
Weight	kg	6.6
Transported air temperature (max)	°C	45
Transported air temperature (min)	°C	-25
Ingress protection rating	-	IPX4
Ingress protection rating of the drive	-	IP44



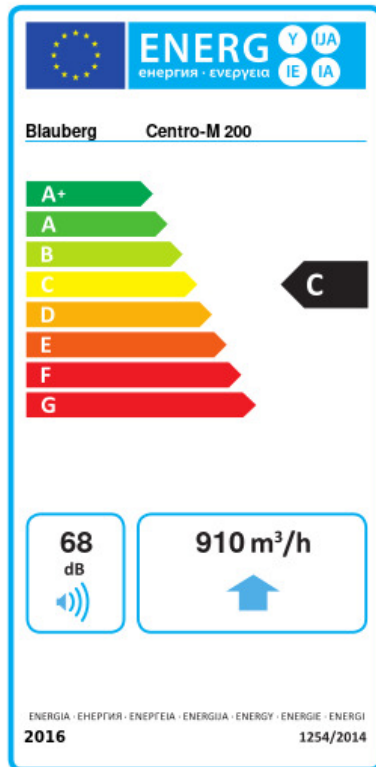


Dimensions

ØD	ØD1	B	B1	L	L1	L2	L3
198	345	395	355	255	25	30	40



Ecodesign



Trademark	Blauberg			
Model	Centro-M 200			
Specific energy consumption (SEC) (kWh/(m ² /a))	Cold	Average	Warm	
	-52.6	A+	-25.5	C -10 E
Type of ventilation unit	Unidirectional			
Type of drive installed	Variable speed			
Type of heat recovery system	None			
Maximum flow rate (m ³ /h)	910			
Electric power input (W)	128			
Reference flow rate (m ³ /s)	0.177			
Reference pressure difference (Pa)	50			
Specific power input (SPI) (W/(m ³ /h))	0.21			
Control typology	Local demand control			
Maximum external leakage rates (%)	2.7			
Declared typology	RVU UVU			
Sound power level (dB(A))	68			
The annual electricity consumption (AEC) (kWh/a)	Cold	Average	Warm	
	111	111	111	
The annual heating saved (AHS) (kWh/a)	Cold	Average	Warm	
	5536	2830	1280	

Accessories

Other accessories

Name	Photo	Description
CDT E1.8		Thyristor speed controller