

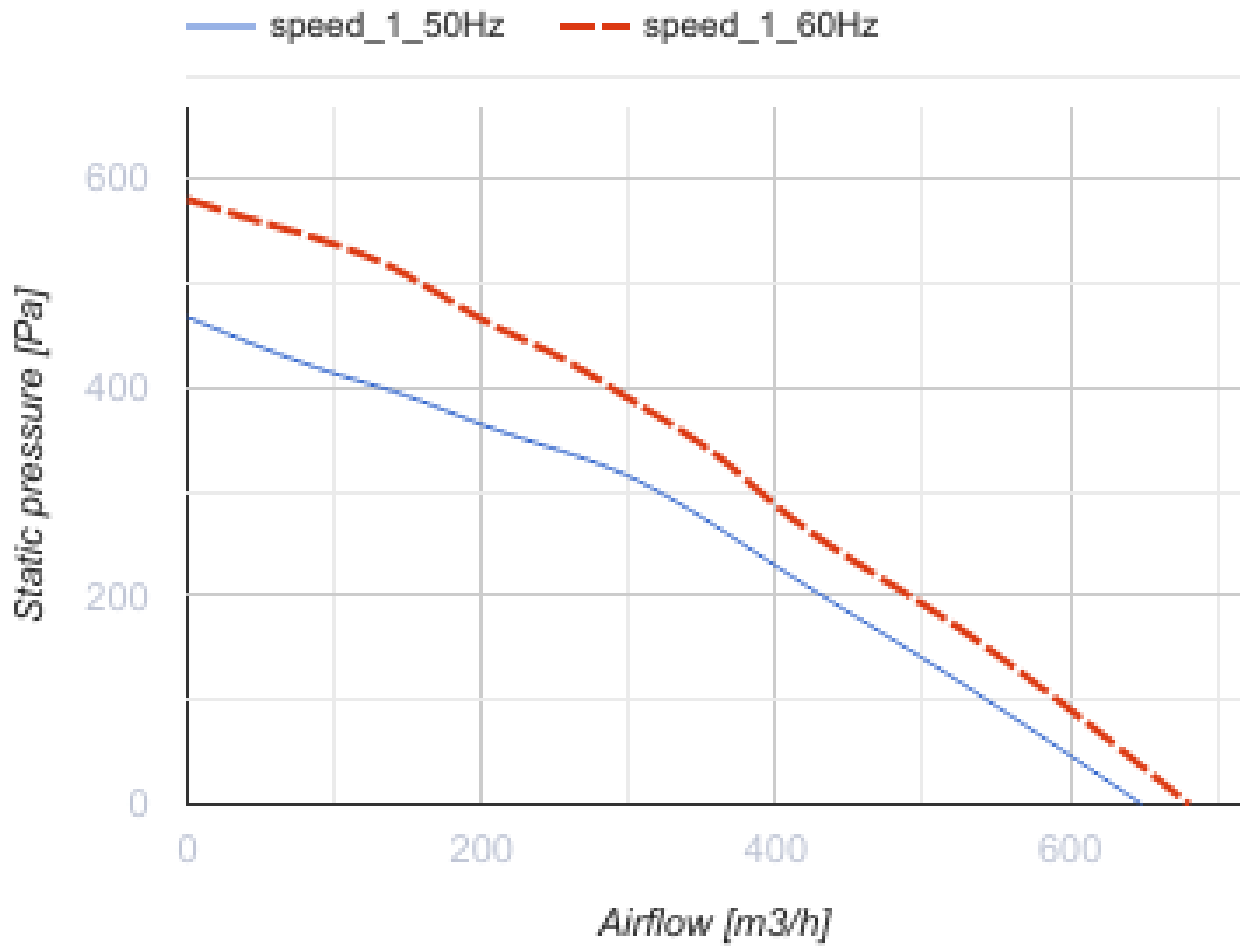


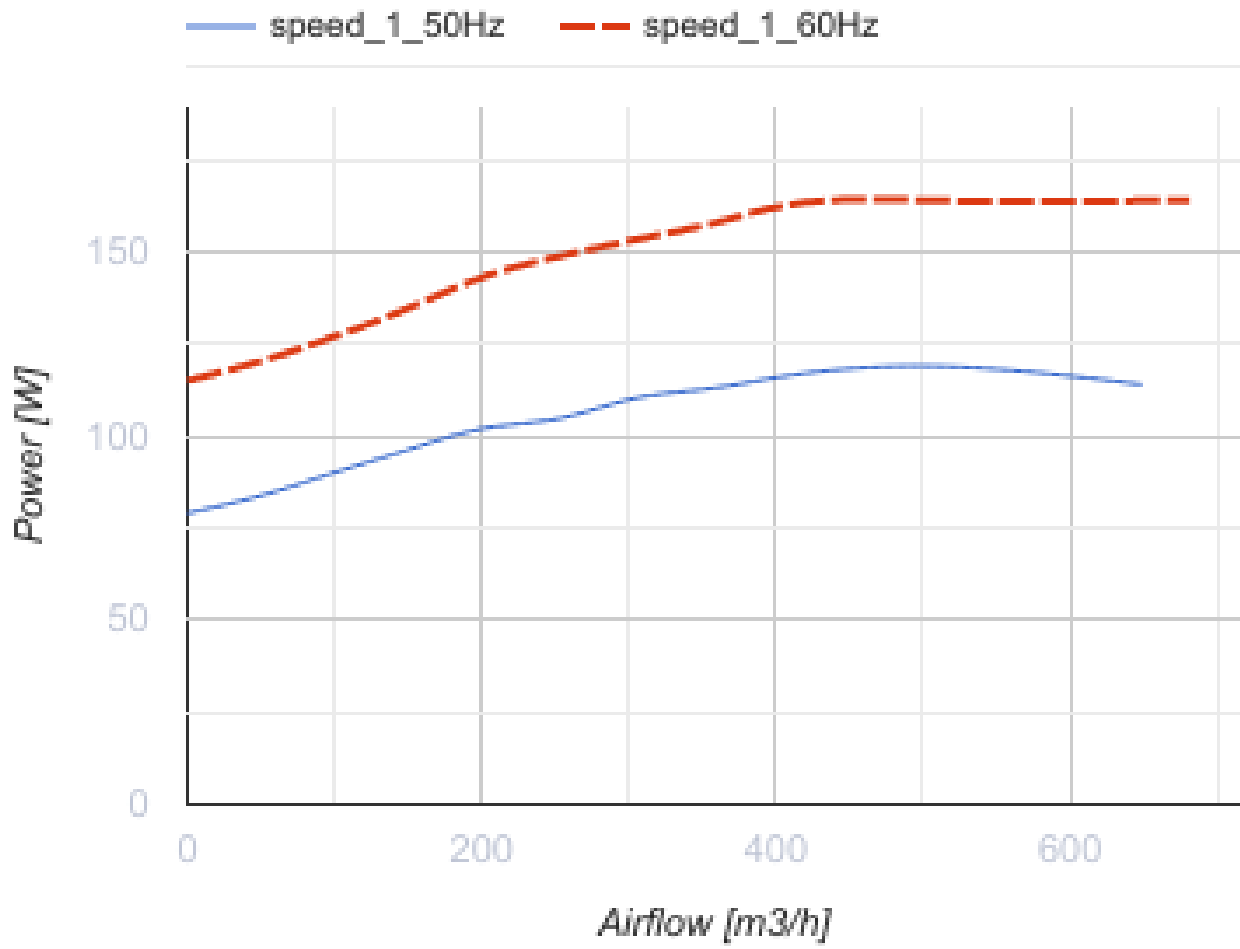
Centro-M 150 max

Inline centrifugal fans

- Maximum airflow: 710
- Sound pressure level LpA at 3 m: 48
- Motor type: AC
- Impeller type: Centrifugal impeller with backward curved blades
- Casing material: Coated steel
- Installation in any position

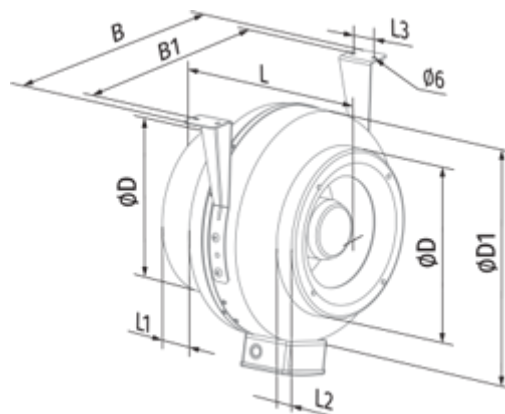
| | Unit of measurement | Centro-M 150 max |
|--|---------------------|------------------|
| Connected air duct size | mm | 150 |
| Speed | - | 1 |
| Minimum supply voltage | V | 220 |
| Maximum supply voltage | V | 240 |
| Power supply frequency | Hz | 50/60 |
| Rated power | W | 127 |
| Unit current | A | 0.55 |
| Maximum airflow | m ³ /h | 710 |
| Sound pressure level LpA at 3 m | dB(A) | 48 |
| Weight | kg | 5.4 |
| Transported air temperature (max) | °C | 45 |
| Transported air temperature (min) | °C | -25 |
| Ingress protection rating | - | IPX4 |
| Ingress protection rating of the drive | - | IP44 |



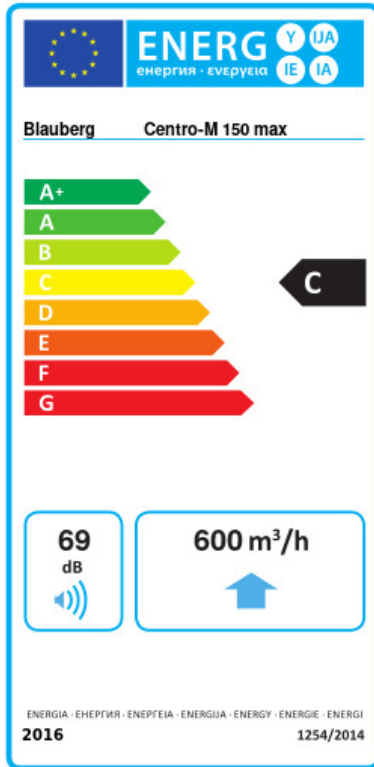


Dimensions

| ØD | ØD1 | B | B1 | L | L1 | L2 | L3 |
|-----|-----|-----|-----|-----|----|----|----|
| 149 | 345 | 395 | 395 | 200 | 20 | 20 | 40 |



Ecodesign



| | | | | |
|---|----------------------|----|---------|------|
| Trademark | Blauberg | | | |
| Model | Centro-M 150 max | | | |
| Specific energy consumption (SEC) (kWh/(m ² /a)) | Cold | | Average | |
| | -52.6 | A+ | -25.5 | C |
| Type of ventilation unit | Unidirectional | | | |
| Type of drive installed | Variable speed | | | |
| Type of heat recovery system | None | | | |
| Maximum flow rate (m ³ /h) | 600 | | | |
| Electric power input (W) | 126 | | | |
| Reference flow rate (m ³ /s) | 0.117 | | | |
| Reference pressure difference (Pa) | 50 | | | |
| Specific power input (SPI) (W/(m ³ /h)) | 0.21 | | | |
| Control typology | Local demand control | | | |
| Maximum external leakage rates (%) | 2.7 | | | |
| Declared typology | RVU UVU | | | |
| Sound power level (dB(A)) | 69 | | | |
| The annual electricity consumption (AEC) (kWh/a) | Cold | | Average | |
| | 111 | | 111 | 111 |
| The annual heating saved (AHS) (kWh/a) | Cold | | Average | |
| | 5536 | | 2830 | 1280 |

Accessories

Thyristor speed controllers

| Name | Photo | Description |
|--------------------------|-------|----------------------------|
| CDT E1.8 | | Thyristor speed controller |