

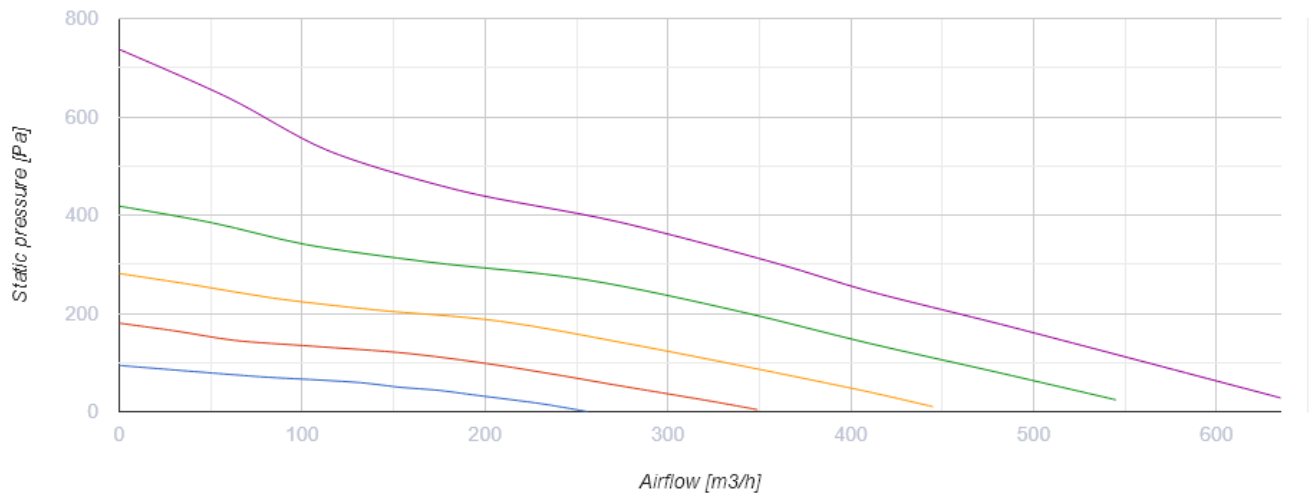


Centro EC 150 G1

Inline centrifugal fans with EC motor

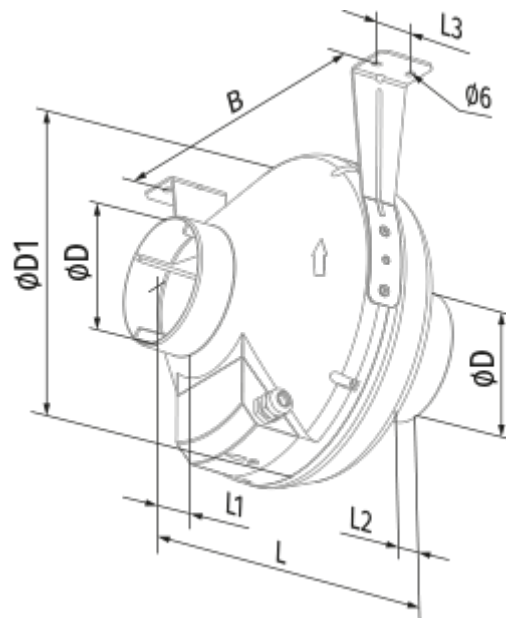
- Maximum airflow: 630
- Sound pressure level LpA at 3 m: 45
- Motor type: EC
- Control: Built-in speed controller
- Impeller type: Centrifugal backward curved blades
- Casing material: Plastic
- Installation in any position
- Cable with mains plug
- Temperature sensor

	Unit of measurement	Centro EC 150 G1
Connected air duct size	mm	150/160
Speed	-	1
Minimum supply voltage	V	230
Maximum supply voltage	V	230
Power supply frequency	Hz	50/60
Rated power	W	82
Unit current	A	0.63
Maximum airflow	m ³ /h	630
Sound pressure level LpA at 3 m	dB(A)	45
Weight	kg	2.5
Transported air temperature (max)	°C	60
Transported air temperature (min)	°C	-25
Ingress protection rating	-	IPX4
Ingress protection rating of the drive	-	IP55



Dimensions

ØD	ØD1	B	L	L1	L2	L3
150/160	300	310	286	30	30	30



Accessories

Other accessories

Name	Photo	Description
------	-------	-------------

[CDT E/0-10](#)



Speed control for EC motors