

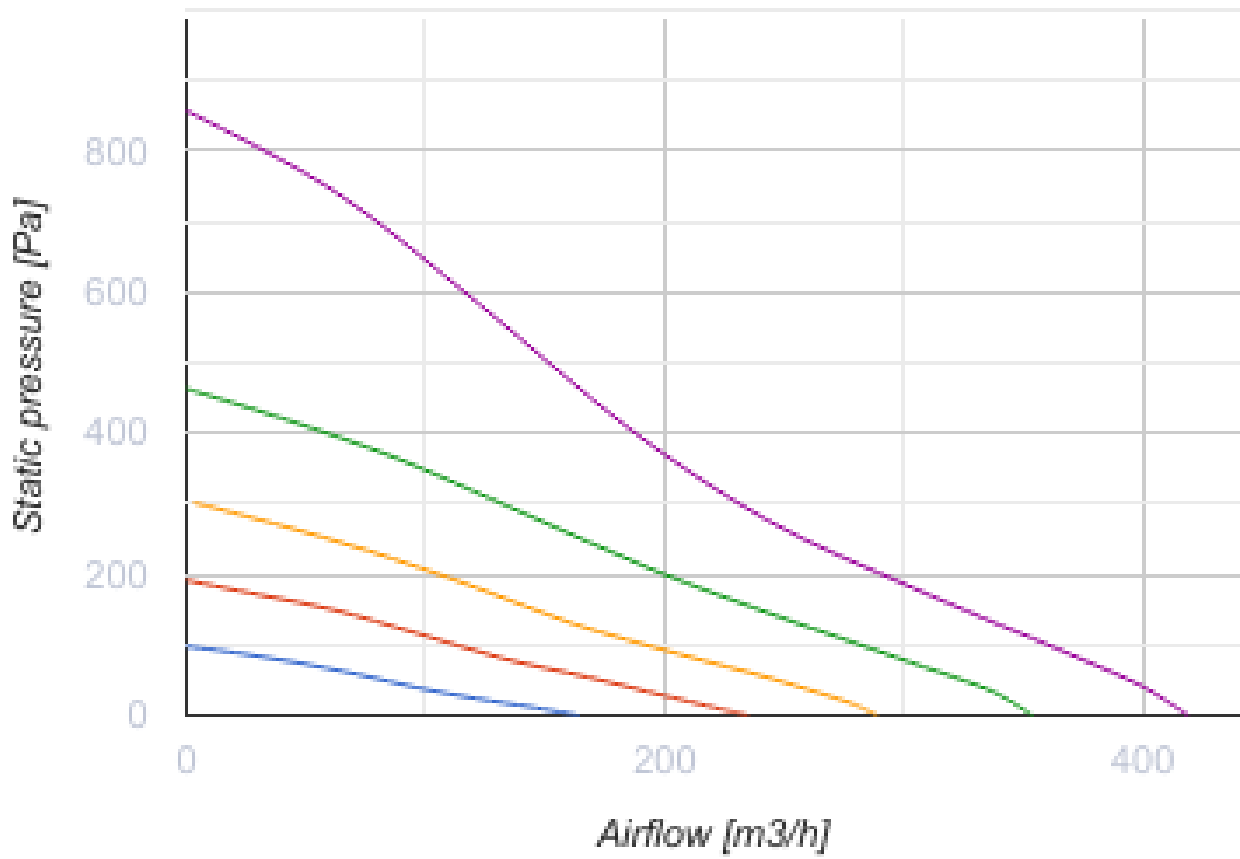


# Centro EC 125 GI1

Inline centrifugal fans with EC motor

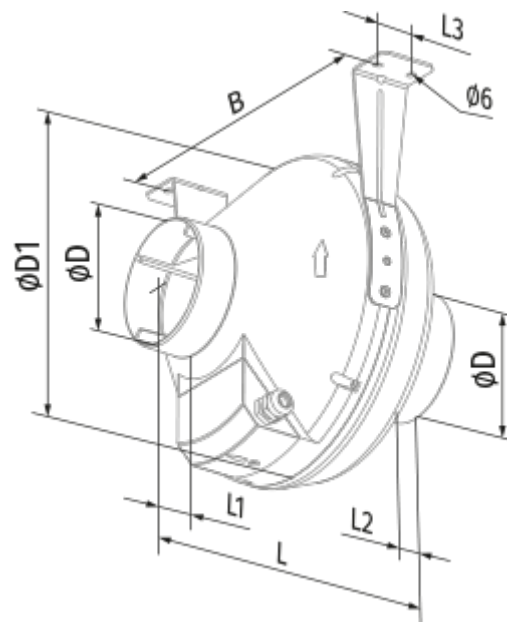
- Maximum airflow: 420
- Sound pressure level LpA at 3 m: 42
- Motor type: EC
- Control: Built-in speed controller
- Impeller type: Centrifugal backward curved blades
- Casing material: Plastic
- Installation in any position
- Cable with mains plug
- Temperature sensor

	Unit of measurement	Centro EC 125 GI1
Connected air duct size	mm	125
Speed	-	1
Minimum supply voltage	V	230
Maximum supply voltage	V	230
Power supply frequency	Hz	50/60
Rated power	W	84
Unit current	A	0.64
Maximum airflow	m <sup>3</sup> /h	420
Sound pressure level LpA at 3 m	dB(A)	42
Weight	kg	2.2
Transported air temperature (max)	°C	60
Transported air temperature (min)	°C	-25
Ingress protection rating	-	IPX4
Ingress protection rating of the drive	-	IP55




## Dimensions

ØD	ØD1	B	L	L1	L2	L3
125	250	270	220	30	27	30



## Accessories

### EC motors regulators

Name	Photo	Description
<a href="#">CDT E/0-10</a>		Speed control for EC motors