

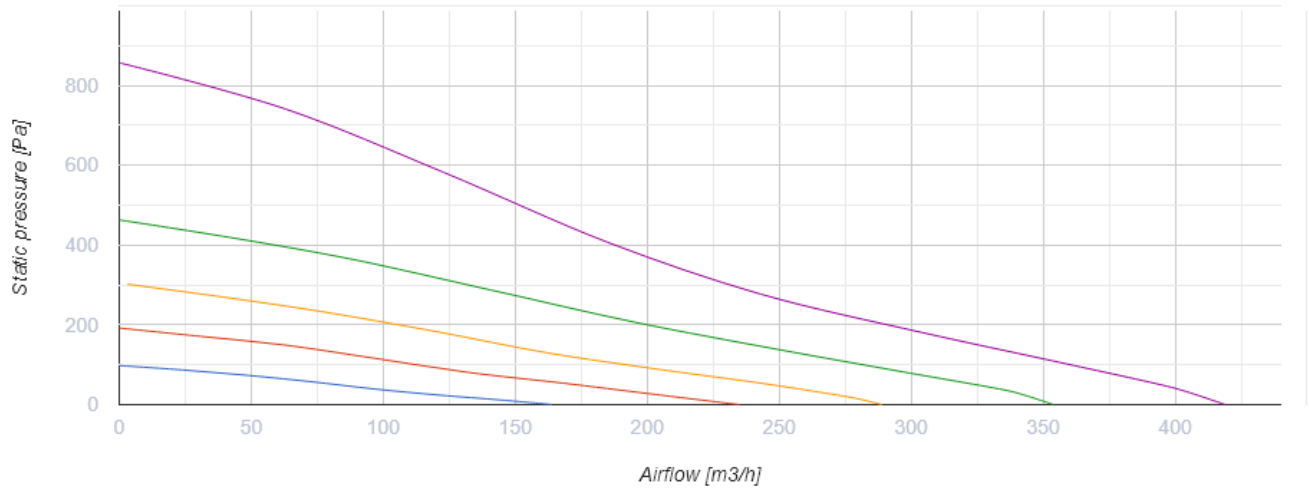


# Centro EC 125 G1

Inline centrifugal fans with EC motor

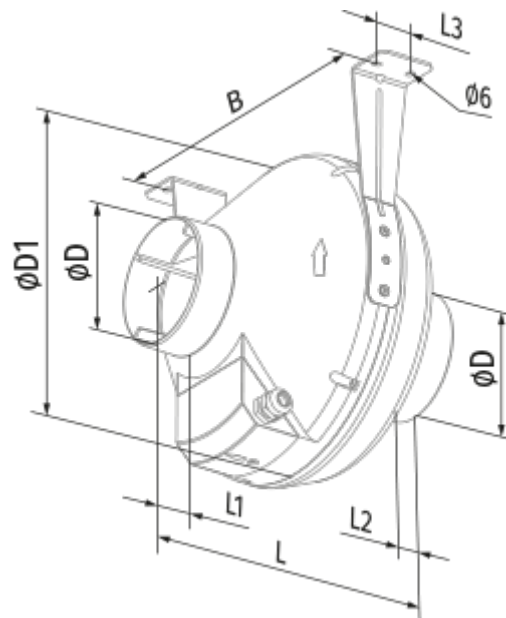
- Maximum airflow: 420
- Sound pressure level LpA at 3 m: 42
- Motor type: EC
- Control: Built-in speed controller
- Impeller type: Centrifugal backward curved blades
- Casing material: Plastic
- Installation in any position
- Cable with mains plug
- Temperature sensor

|  | Unit of measurement | Centro EC 125 G1 |
|--|---------------------|------------------|
| Connected air duct size                | mm                  | 125              |
| Speed                                  | -                   | 1                |
| Minimum supply voltage                 | V                   | 230              |
| Maximum supply voltage                 | V                   | 230              |
| Power supply frequency                 | Hz                  | 50/60            |
| Rated power                            | W                   | 84               |
| Unit current                           | A                   | 0.64             |
| Maximum airflow                        | m <sup>3</sup> /h   | 420              |
| Sound pressure level LpA at 3 m        | dB(A)               | 42               |
| Weight                                 | kg                  | 2.2              |
| Transported air temperature (max)      | °C                  | 60               |
| Transported air temperature (min)      | °C                  | -25              |
| Ingress protection rating              | -                   | IPX4             |
| Ingress protection rating of the drive | -                   | IP55             |



## Dimensions

| ØD  | ØD1 | B   | L   | L1 | L2 | L3 |
|-----|-----|-----|-----|----|----|----|
| 125 | 250 | 270 | 220 | 30 | 27 | 30 |



## Accessories

### EC motors regulators

| Name | Photo | Description |
|------|-------|-------------|
|------|-------|-------------|

[CDT E/0-10](#)



Speed control for EC motors