

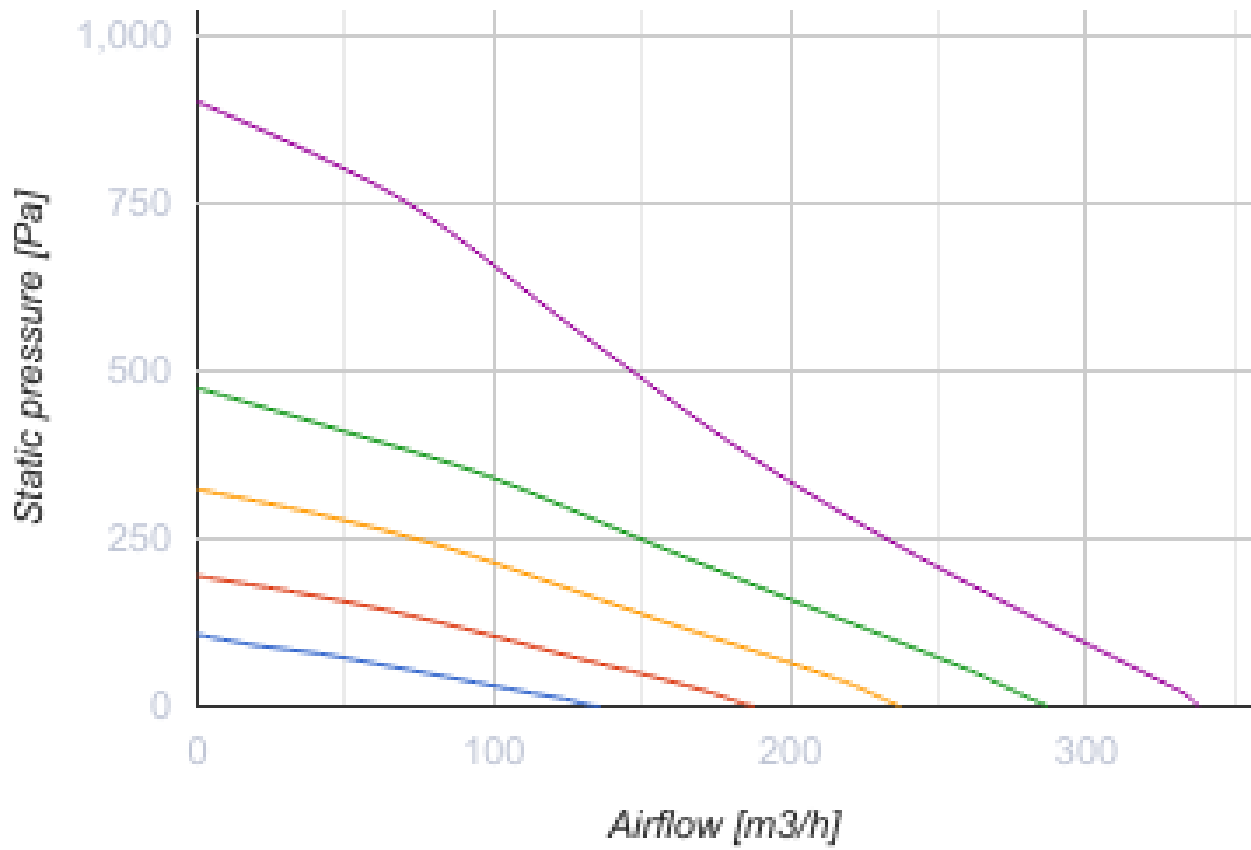


Centro EC 100 GI1

Inline centrifugal fans with EC motor

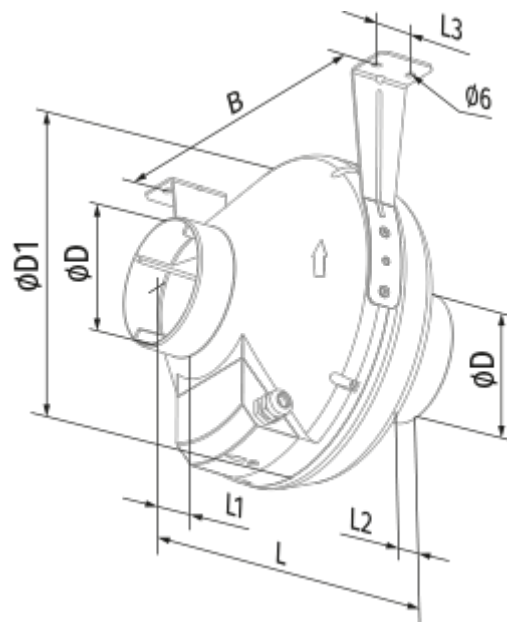
- Maximum airflow: 340
- Sound pressure level LpA at 3 m: 40
- Motor type: EC
- Control: Built-in speed controller
- Impeller type: Centrifugal backward curved blades
- Casing material: Plastic
- Installation in any position
- Cable with mains plug
- Temperature sensor

	Unit of measurement	Centro EC 100 GI1
Connected air duct size	mm	100
Speed	-	1
Minimum supply voltage	V	230
Maximum supply voltage	V	230
Power supply frequency	Hz	50/60
Rated power	W	82
Unit current	A	0.62
Maximum airflow	m ³ /h	340
Sound pressure level LpA at 3 m	dB(A)	40
Weight	kg	2
Transported air temperature (max)	°C	60
Transported air temperature (min)	°C	-25
Ingress protection rating	-	IPX4
Ingress protection rating of the drive	-	IP55




Dimensions

ØD	ØD1	B	L	L1	L2	L3
100	250	270	230	30	27	30



Accessories

EC motors regulators

Name	Photo	Description
CDT E/0-10		Speed control for EC motors