

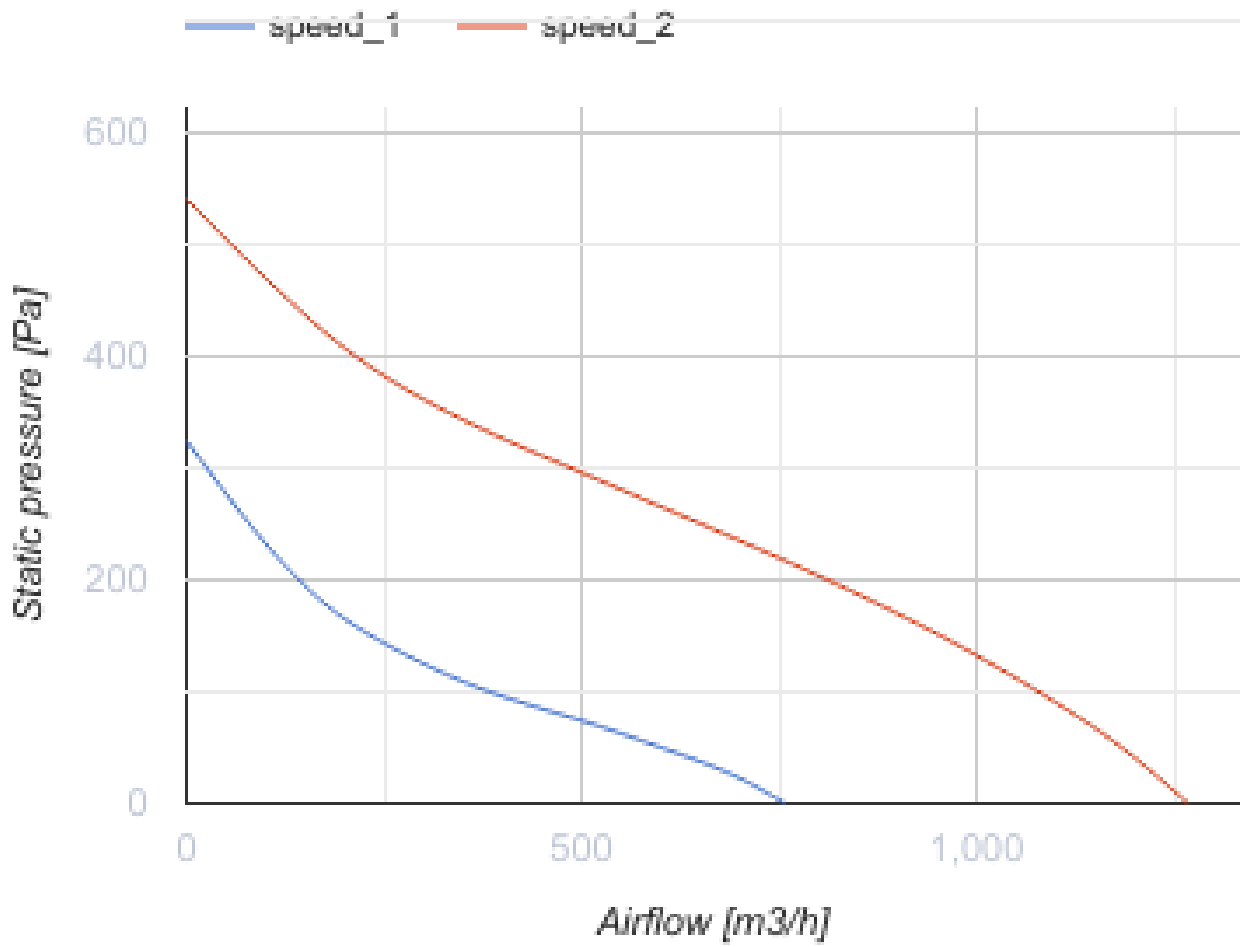


## Centro 315 V2

Centrifugal inline fans in plastic casings

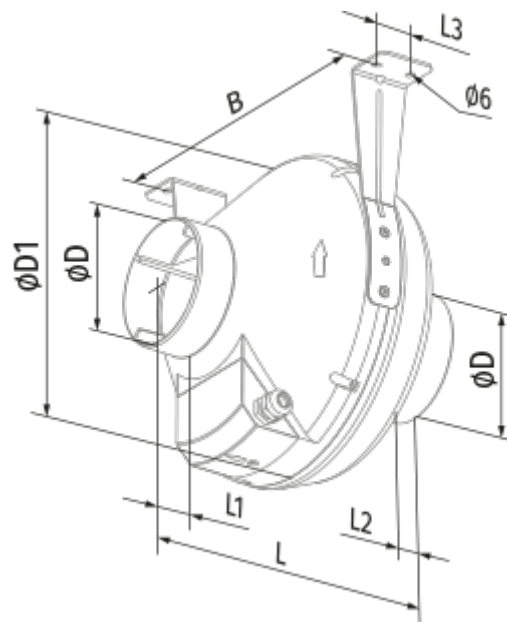
- Maximum airflow: 1268
- Sound pressure level LpA at 3 m: 48
- Motor type: AC
- Impeller type: Centrifugal impeller with backward curved blades
- Casing material: Plastic
- Installation in any position

	Unit of measurement	Centro 315 V2	
Connected air duct size	mm	315	
Speed	-	2	
Phases	-	1	
Minimum supply voltage	V	230	
Maximum supply voltage	V	230	
Power supply frequency	Hz	50	
Rated power	W	143	173
Unit current	A	0.68	0.76
Maximum airflow	m <sup>3</sup> /h	758	1268
Sound pressure level LpA at 3 m	dB(A)	37	48
Weight	kg	4.85	
Transported air temperature (max)	°C	55	
Transported air temperature (min)	°C	-25	
Ingress protection rating	-	IPX4	
Ingress protection rating of the drive	-	IP44	





## Dimensions

Ø D	Ø D1	B	L	L1	L2	L3
315	400	414	276	40	55	40



## Accessories

### Other accessories

Name	Photo	Description
<a href="#">CDP-2/5</a>		Multi-speed switch
<a href="#">CDP-2/10</a>		Multi-speed switch