

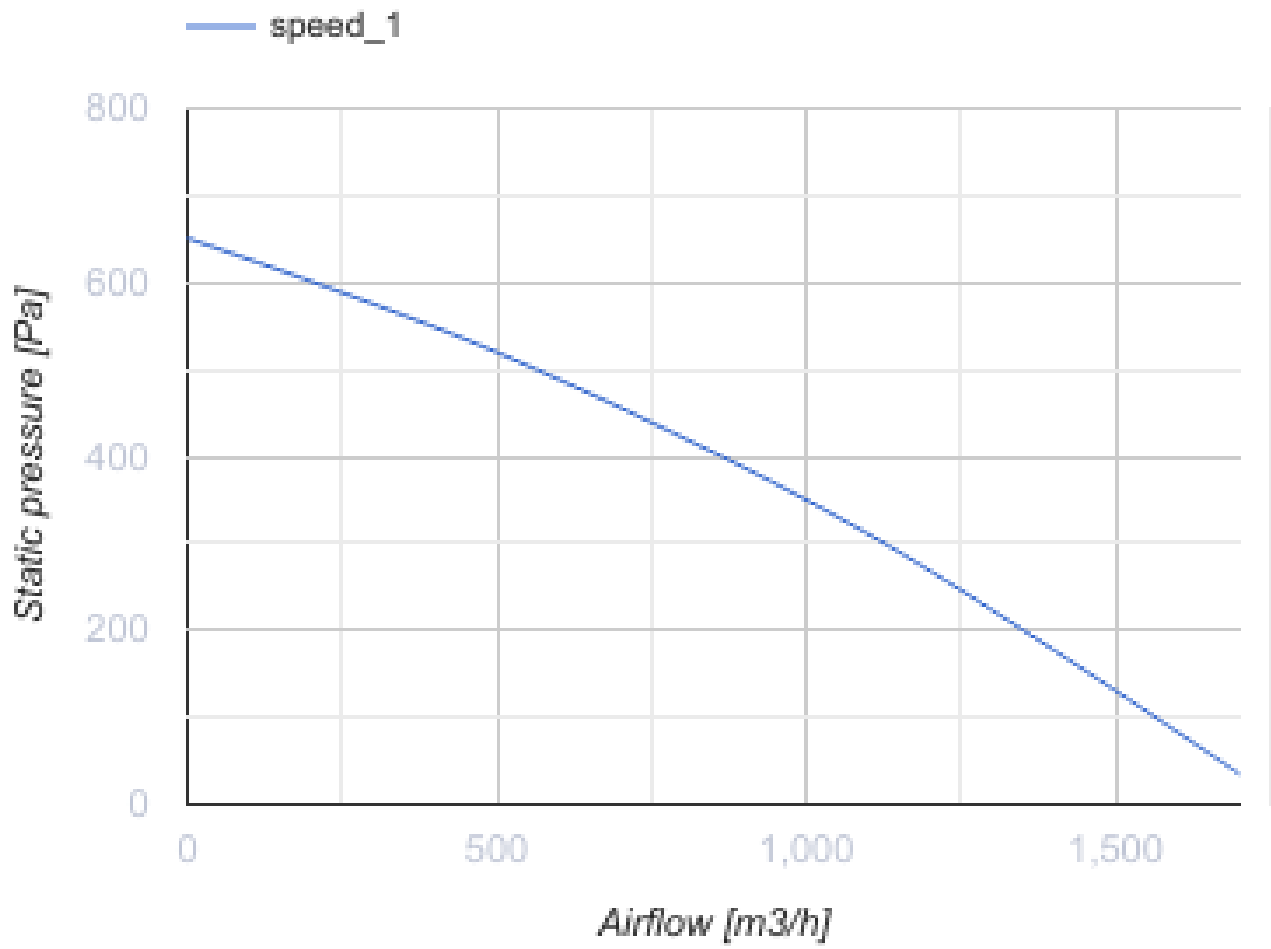


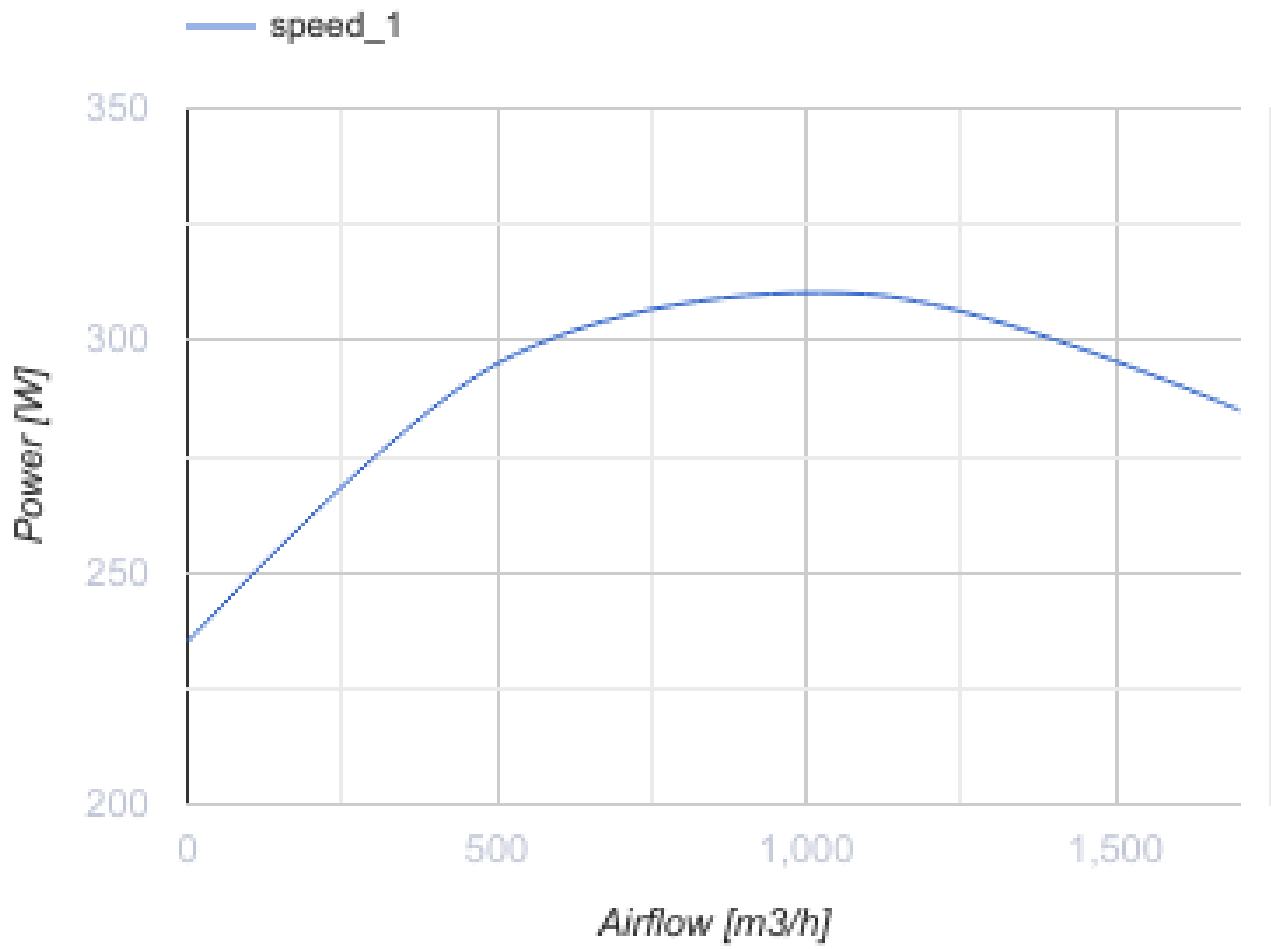
Centro 315 G1

Inline centrifugal fans

- Maximum airflow: 1700
- Motor type: AC
- Control: Built-in speed controller
- Impeller type: Centrifugal backward curved blades
- Casing material: Plastic
- Installation in any position
- Cable with mains plug
- Temperature sensor

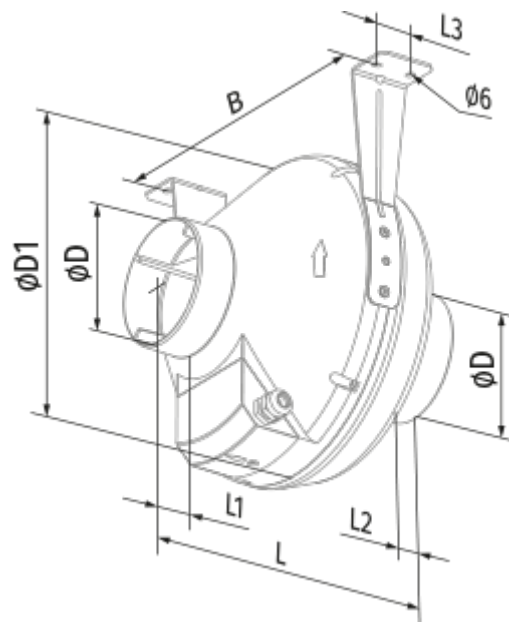
	Unit of measurement	Centro 315 G1
Connected air duct size	mm	315
Speed	-	1
Minimum supply voltage	V	220
Maximum supply voltage	V	240
Power supply frequency	Hz	50
Rated power	W	310
Unit current	A	1.36
Maximum airflow	m ³ /h	1700
Weight	kg	4.85
Transported air temperature (max)	°C	45
Transported air temperature (min)	°C	-25
Ingress protection rating	-	IPX4





Dimensions

ØD	ØD1	B	L	L1	L2	L3
315	400	414	276	40	55	40






Ecodesign

Trademark	Blauberg
Model	Centro 315 G1
Type of ventilation unit	Unidirectional
Type of drive installed	External MSD or VSD
Type of heat recovery system	None
Nominal flow rate (m ³ /s)	0.323
Nominal external pressure (Pa)	283
Maximum external leakage rates (%)	2.7
Static efficiency (%)	30.3
Effective electric power input (kW)	0.307
Sound power level (dB(A))	73
Declared typology	NRVU UVU

Accessories

Other accessories

Name	Photo	Description
CDT E1.8		Thyristor speed controller
CDP-2/5		Multi-speed switch
CDP-2/10		Multi-speed switch