

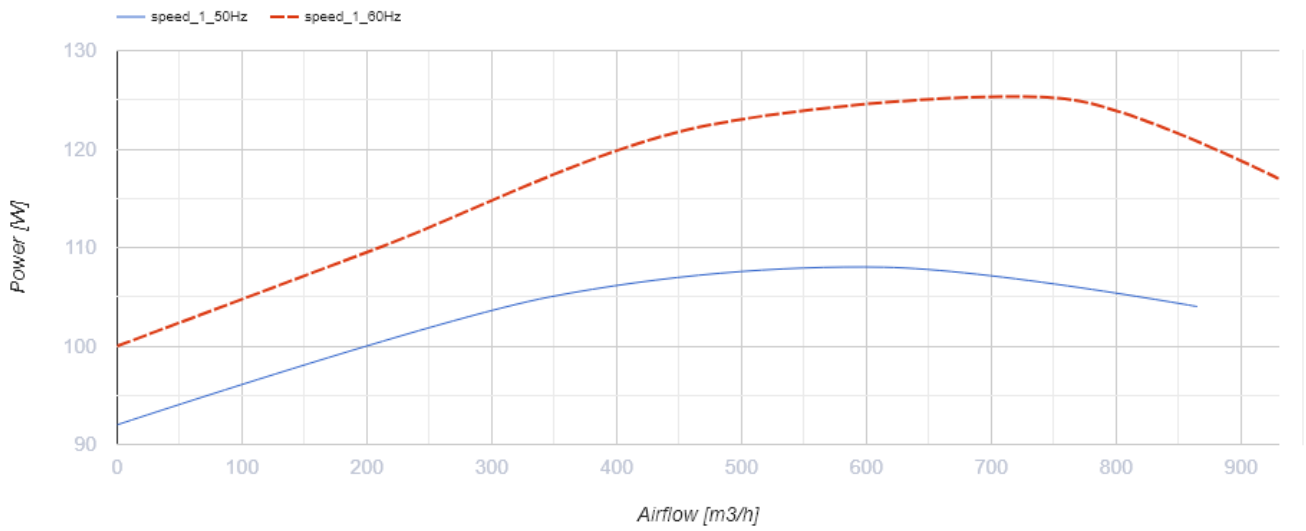
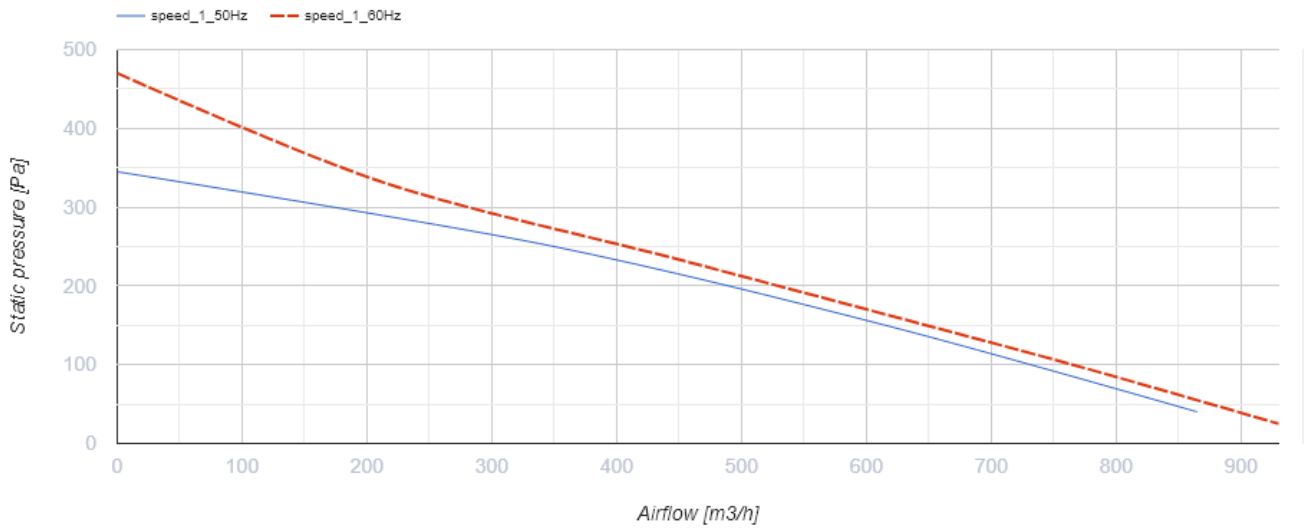


Centro 250 L FR1

Inline centrifugal fans

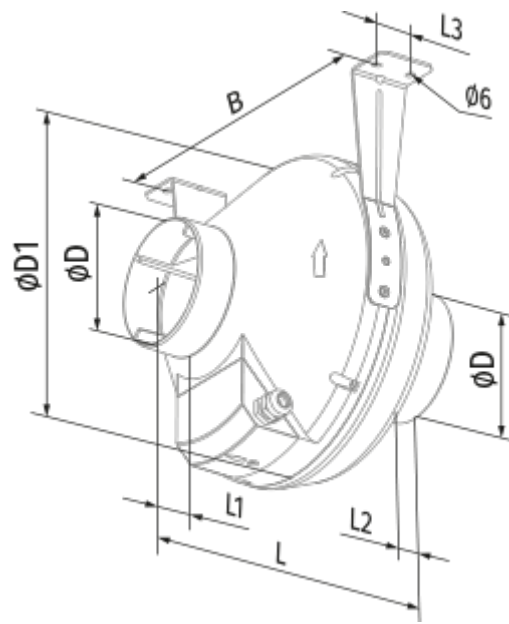
- Maximum airflow: 865
- Motor type: AC
- Control: Built-in speed controller
- Impeller type: Centrifugal backward curved blades
- Casing material: Plastic
- Installation in any position
- Cable with mains plug

	Unit of measurement	Centro 250 L FR1
Connected air duct size	mm	250
Speed	-	1
Minimum supply voltage	V	220
Maximum supply voltage	V	240
Power supply frequency	Hz	50/60
Rated power	W	108
Unit current	A	0.47
Maximum airflow	m ³ /h	865
Weight	kg	4.3
Transported air temperature (max)	°C	50
Transported air temperature (min)	°C	-25
Ingress protection rating	-	IPX4



Dimensions

ØD	ØD1	B	L	L1	L2	L3
250	340	354	265	30	30	40



[CDP-2/10](#)



Multi-speed switch