

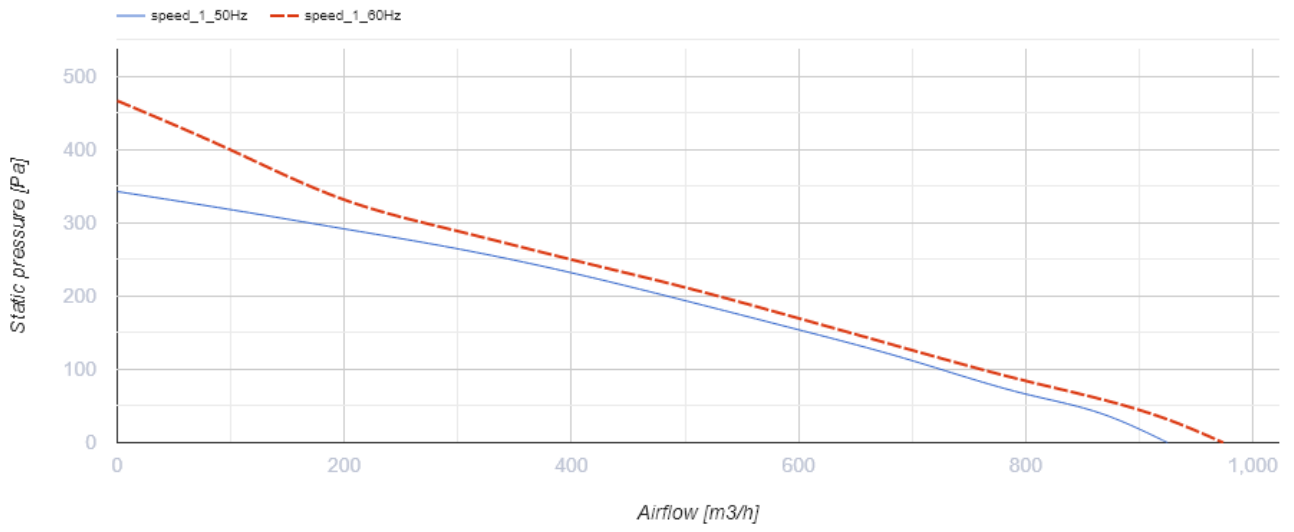


Centro 250 L

Inline centrifugal fans

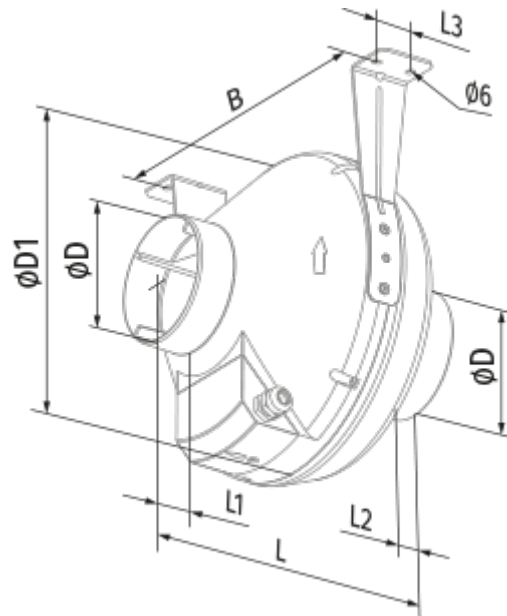
- Maximum airflow: 865
- Motor type: AC
- Impeller type: Centrifugal backward curved blades
- Casing material: Plastic
- Installation in any position

	Unit of measurement	Centro 250 L
Connected air duct size	mm	250
Speed	-	1
Minimum supply voltage	V	220
Maximum supply voltage	V	240
Power supply frequency	Hz	50/60
Rated power	W	108
Unit current	A	0.47
Maximum airflow	m ³ /h	865
Weight	kg	4.3
Transported air temperature (max)	°C	50
Transported air temperature (min)	°C	-25
Ingress protection rating	-	IPX4

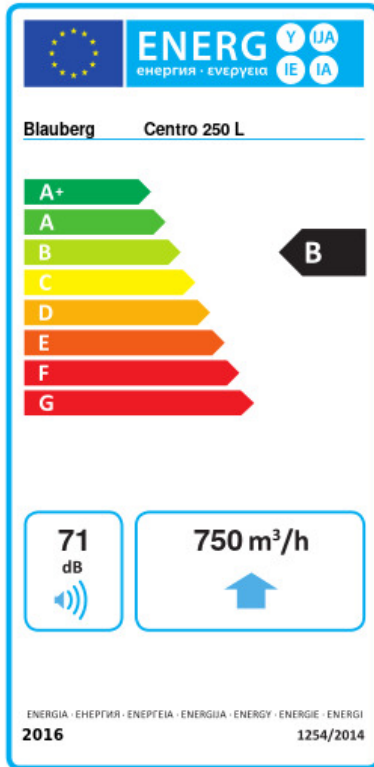


Dimensions

ØD	ØD1	B	L	L1	L2	L3
250	340	354	265	30	30	40



Ecodesign



Trademark	Blauberg					
Model	Centro 250 L					
Specific energy consumption (SEC) (kWh/(m ² /a))	Cold		Average		Warm	
	-54.1	A+	-27	B	-11.5	E
Type of ventilation unit	Unidirectional					
Type of drive installed	Variable speed					
Type of heat recovery system	None					
Maximum flow rate (m ³ /h)	750					
Electric power input (W)	108					
Reference flow rate (m ³ /s)	0.146					
Reference pressure difference (Pa)	50					
Specific power input (SPI) (W/(m ³ /h))	0.097					
Control typology	Local demand control					
Maximum external leakage rates (%)	2.7					
Declared typology	RVU UVU					
Sound power level (dB(A))	71					
The annual electricity consumption (AEC) (kWh/a)	Cold		Average		Warm	
	51		51		51	
The annual heating saved (AHS) (kWh/a)	Cold		Average		Warm	
	5536		2830		1280	

Accessories

Thyristor speed controllers

Name	Photo	Description
CDT E1.8		Thyristor speed controller

Speed control switches

Name	Photo	Description
CDP-2/5		Multi-speed switch

[CDP-2/10](#)



Multi-speed switch