

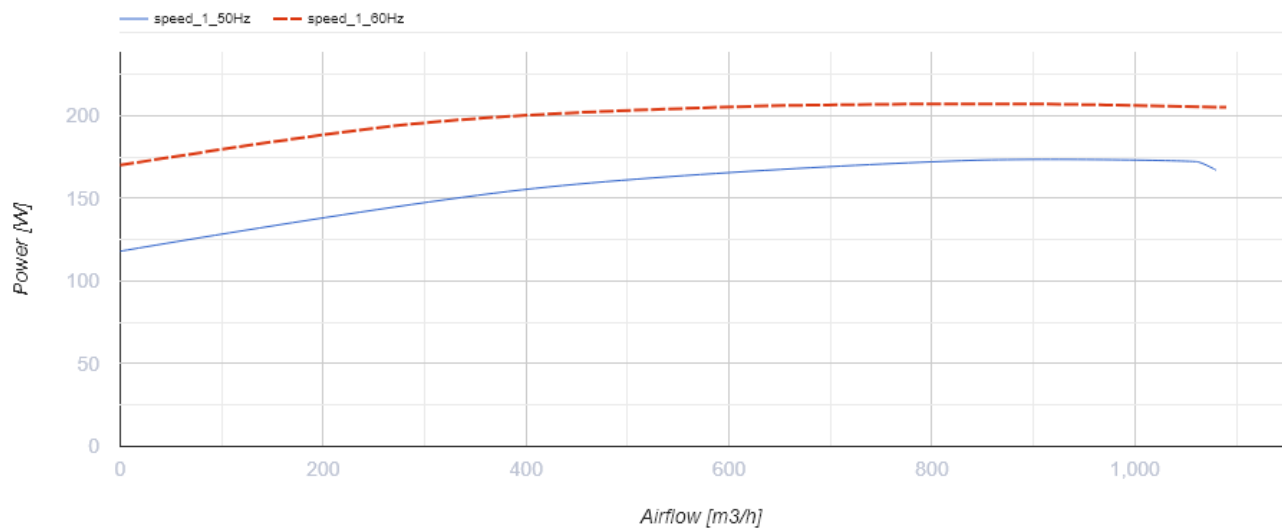
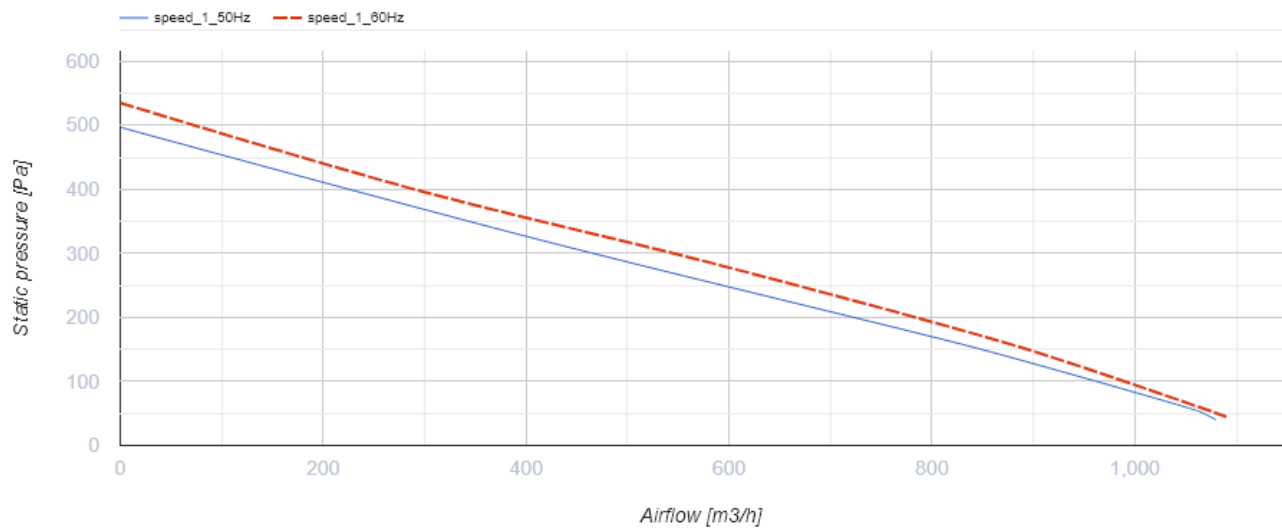


Centro 250 G1

Inline centrifugal fans

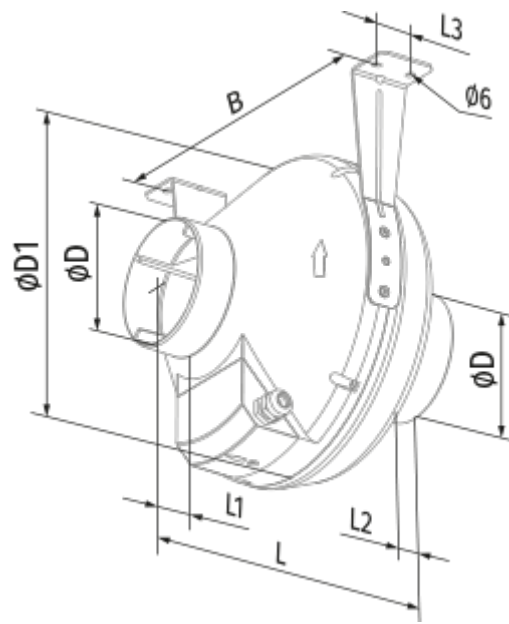
- Maximum airflow: 1080
- Motor type: AC
- Control: Built-in speed controller
- Impeller type: Centrifugal backward curved blades
- Casing material: Plastic
- Installation in any position
- Cable with mains plug
- Temperature sensor

	Unit of measurement	Centro 250 G1
Connected air duct size	mm	250
Speed	-	1
Minimum supply voltage	V	220
Maximum supply voltage	V	240
Power supply frequency	Hz	50/60
Rated power	W	173
Unit current	A	0.76
Maximum airflow	m ³ /h	1080
Weight	kg	4.3
Transported air temperature (max)	°C	50
Transported air temperature (min)	°C	-25
Ingress protection rating	-	IPX4



Dimensions

ØD	ØD1	B	L	L1	L2	L3
250	340	354	265	30	30	40




Ecodesign




Trademark	Blauberg					
Model	Centro 250 G1					
Specific energy consumption (SEC) (kWh/(m ² /a))	Cold		Average		Warm	
	53.7	A+	26.7	B	11.2	E
Type of ventilation unit	Unidirectional					
Type of drive installed	Variable speed					
Type of heat recovery system	None					
Maximum flow rate (m ³ /h)	950					
Electric power input (W)	173					
Reference flow rate (m ³ /s)	0.185					
Reference pressure difference (Pa)	50					
Specific power input (SPI) (W/(m ³ /h))	0.123					
Control typology	Local demand control					
Maximum external leakage rates (%)	2.7					
Sound power level (dB(A))	70					
Declared typology	RVU UVU					
The annual electricity consumption (AEC) (kWh/a)	Cold		Average		Warm	
	65		65		65	
The annual heating saved (AHS) (kWh/a)	Cold		Average		Warm	
	5536		2830		1280	

Accessories

Thyristor speed controllers

Name	Photo	Description
CDT E1.8		Thyristor speed controller

Speed control switches

Name	Photo	Description
CDP-2/5		Multi-speed switch

[CDP-2/10](#)



Multi-speed switch