

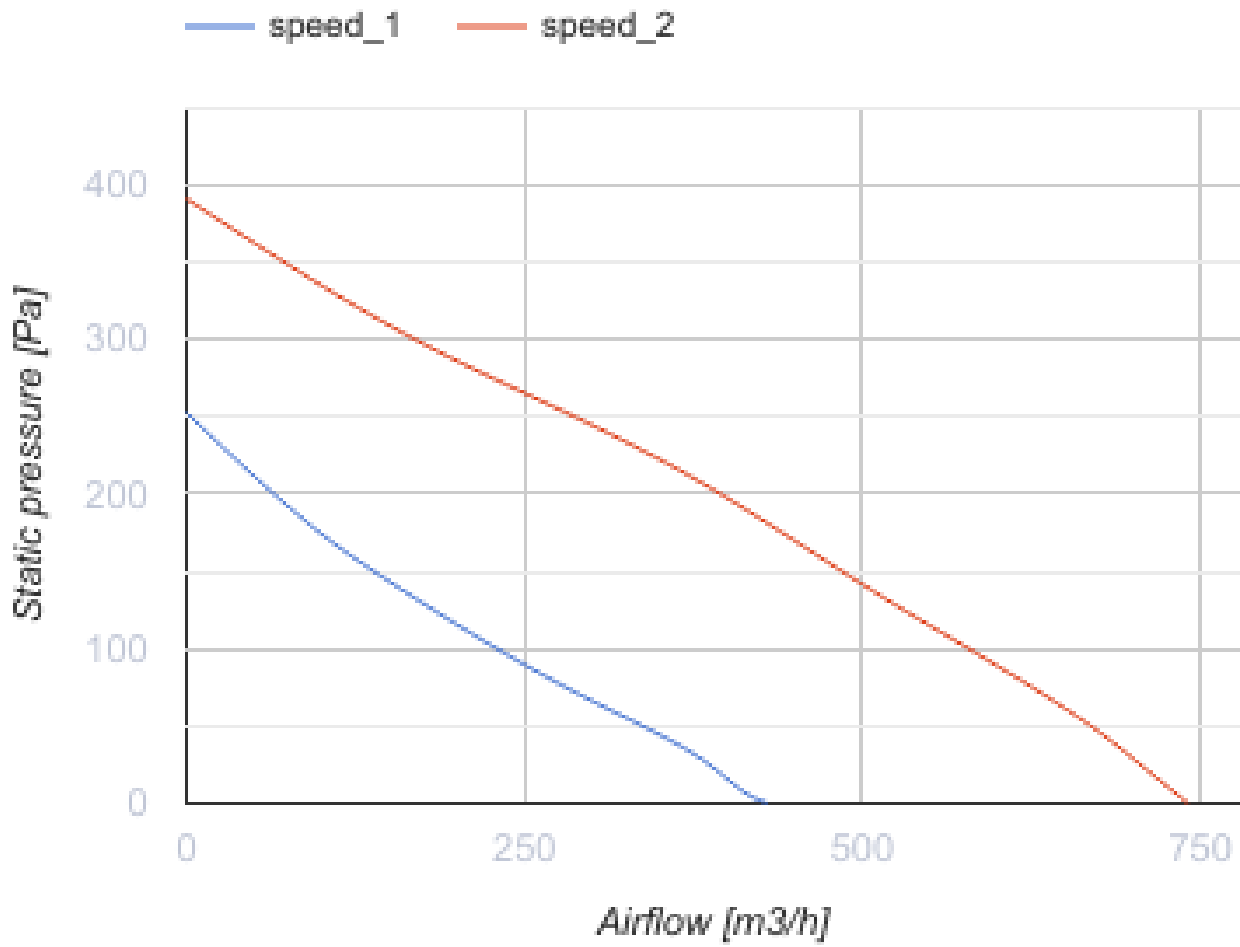


Centro 200 V2

Inline centrifugal fans

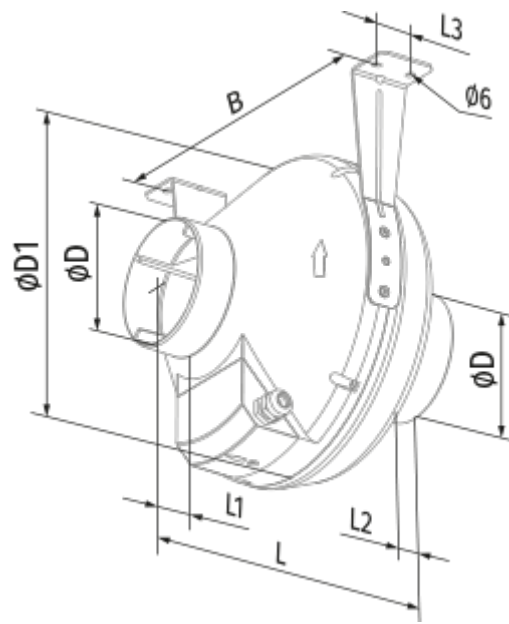
- Maximum airflow: 741
- Sound pressure level LpA at 3 m: 42
- Motor type: AC
- Impeller type: Centrifugal impeller with backward curved blades
- Casing material: Plastic
- Installation in any position

	Unit of measurement	Centro 200 V2	
Connected air duct size	mm	200	
Speed	-	2	
Phases	-	1	
Minimum supply voltage	V	230	
Maximum supply voltage	V	230	
Power supply frequency	Hz	50	
Rated power	W	83	95
Unit current	A	0.37	0.43
Maximum airflow	m ³ /h	430	741
Sound pressure level LpA at 3 m	dB(A)	33	42
Weight	kg	3	
Transported air temperature (max)	°C	55	
Transported air temperature (min)	°C	-25	
Ingress protection rating	-	IPX4	
Ingress protection rating of the drive	-	IP44	

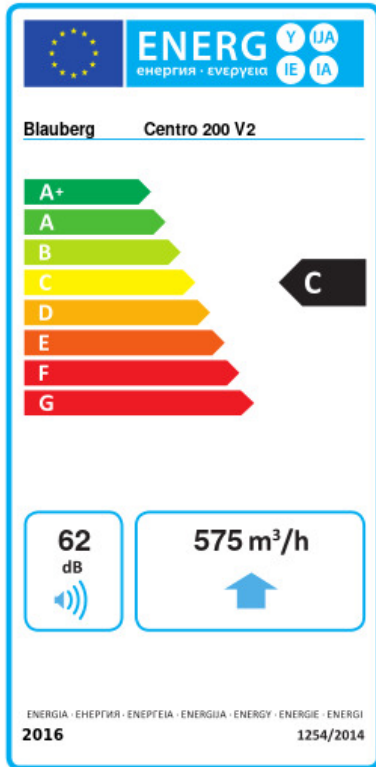


Dimensions

Ø D	Ø D1	B	L	L1	L2	L3
200	340	354	276	30	30	40



Ecodesign



Trademark	Blauberg					
Model	Centro 200 V2					
Specific energy consumption (SEC) (kWh/(m ² /a))	Cold		Average		Warm	
	-51.4	A+	-24.3	C	-8.8	F
Type of ventilation unit	Unidirectional					
Type of drive installed	2-speed					
Type of heat recovery system	None					
Maximum flow rate (m ³ /h)	575					
Electric power input (W)	91.8					
Reference flow rate (m ³ /s)	0.112					
Reference pressure difference (Pa)	50					
Specific power input (SPI) (W/(m ³ /h))	0.213					
Control typology	Local demand control					
Maximum external leakage rates (%)	2.7					
Declared typology	RVU UVU					
Sound power level (dB(A))	62					
The annual electricity consumption (AEC) (kWh/a)	Cold		Average		Warm	
	159		159		159	
The annual heating saved (AHS) (kWh/a)	Cold		Average		Warm	
	5536		2830		1280	

Accessories

Speed control switches

Name	Photo	Description
CDP-2/5		Multi-speed switch
CDP-2/10		Multi-speed switch