

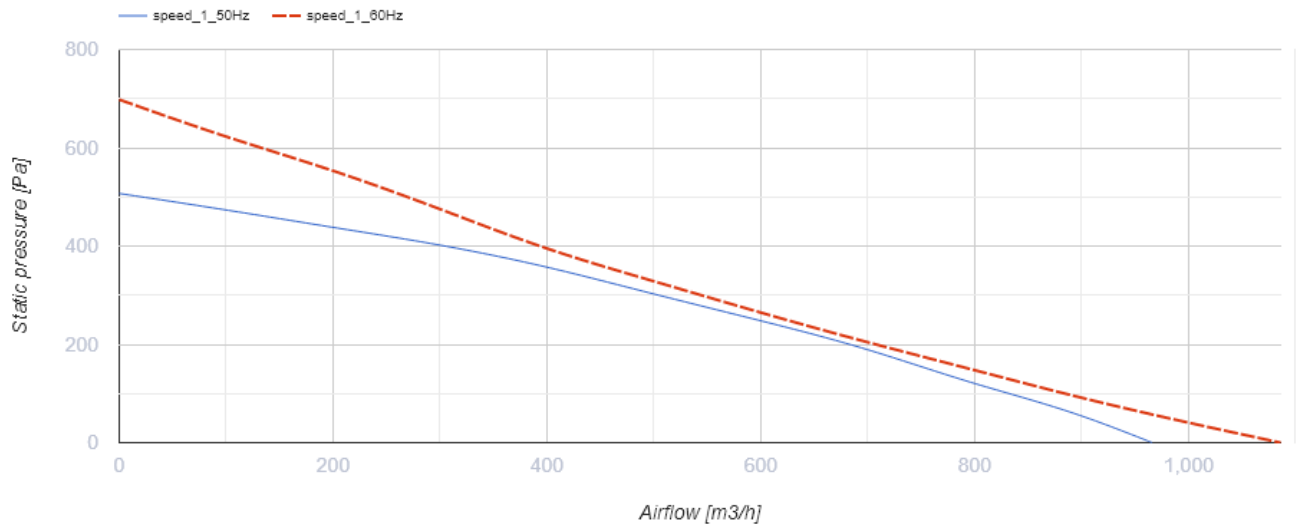


Centro 200 max

Inline centrifugal fans

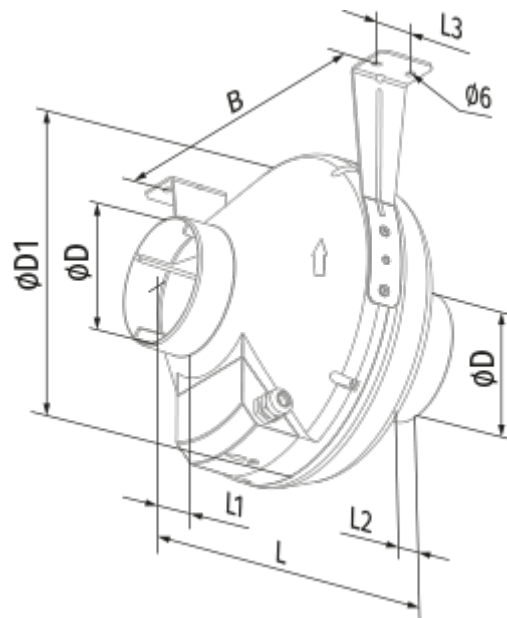
- Maximum airflow: 930
- Motor type: AC
- Impeller type: Centrifugal backward curved blades
- Casing material: Plastic
- Installation in any position

	Unit of measurement	Centro 200 max
Connected air duct size	mm	200
Speed	-	1
Minimum supply voltage	V	220
Maximum supply voltage	V	240
Power supply frequency	Hz	50/60
Rated power	W	173
Unit current	A	0.76
Maximum airflow	m ³ /h	930
Weight	kg	4.3
Transported air temperature (max)	°C	45
Transported air temperature (min)	°C	-25
Ingress protection rating	-	IPX4

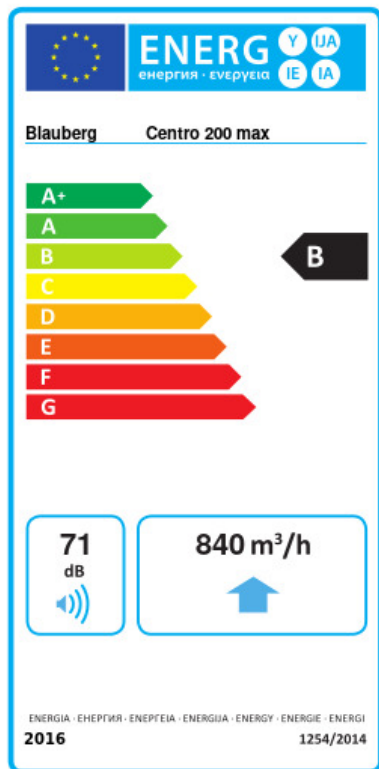


Dimensions

ØD	ØD1	B	L	L1	L2	L3
200	340	354	276	30	30	40



Ecodesign



Trademark	Blauberg			
Model	Centro 200 max			
Specific energy consumption (SEC) (kWh/(m²/a))	Cold		Average	
	-53.5	A+	-26.5	B
Type of ventilation unit	Unidirectional			
	Variable speed			
Type of drive installed	None			
Type of heat recovery system	840			
Maximum flow rate (m³/h)	173			
Electric power input (W)	0.163			
Reference flow rate (m³/s)	50			
Reference pressure difference (Pa)	0.139			
Specific power input (SPI) (W/(m³/h))	Local demand control			
Control typology	2.7			
Maximum external leakage rates (%)	RVU UVU			
Declared typology	71			
Sound power level (dB(A))	Cold		Average	
The annual electricity consumption (AEC) (kWh/a)	74		74	
	74		74	
The annual heating saved (AHS) (kWh/a)	Cold		Average	
	5536		2830	
	Warm		Warm	
	1280		1280	

Accessories

Other accessories

Name	Photo	Description
CDT E1.8		Thyristor speed controller
CDP-2/5		Multi-speed switch
CDP-2/10		Multi-speed switch