

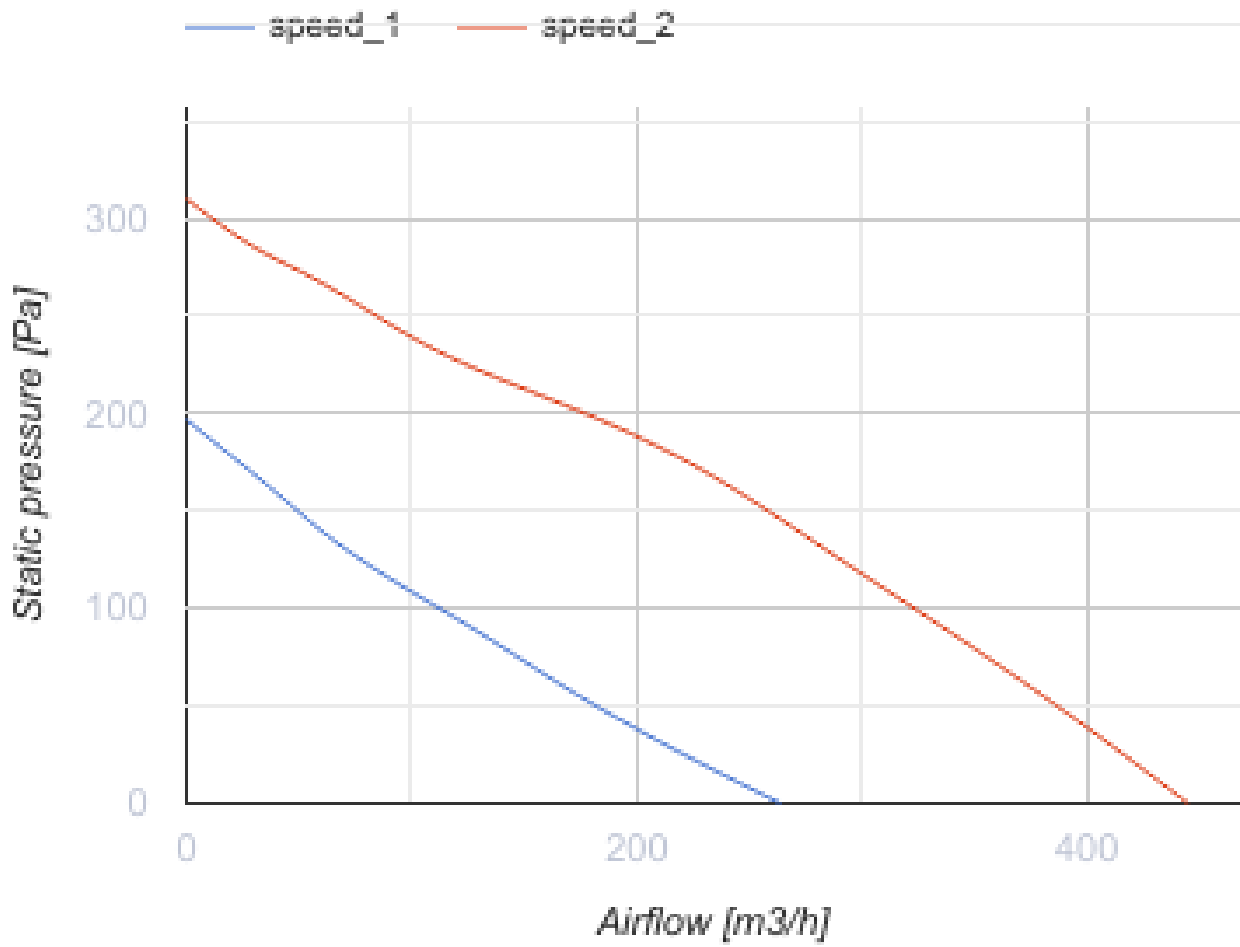


## Centro 150 V2

Inline centrifugal fans

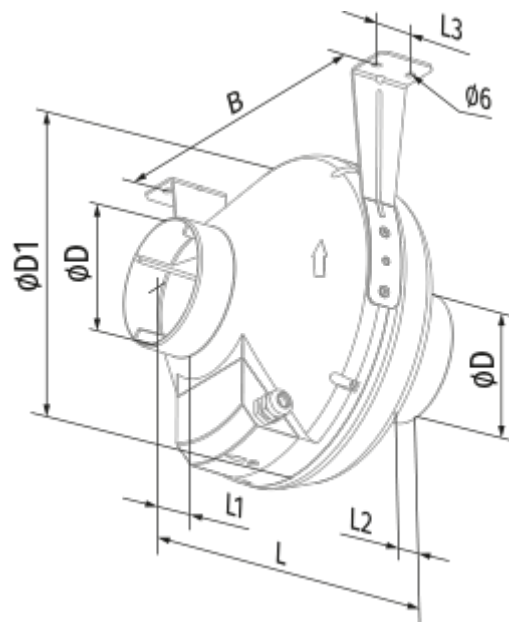
- Maximum airflow: 445
- Sound pressure level LpA at 3 m: 40
- Motor type: AC
- Impeller type: Centrifugal impeller with backward curved blades
- Casing material: Plastic
- Installation in any position

	Unit of measurement	Centro 150 V2	
Connected air duct size	mm	150	
Speed	-	2	
Phases	-	1	
Minimum supply voltage	V	230	
Maximum supply voltage	V	230	
Power supply frequency	Hz	50	
Rated power	W	46	59
Unit current	A	0.22	0.26
Maximum airflow	m <sup>3</sup> /h	264	445
Sound pressure level LpA at 3 m	dB(A)	32	40
Weight	kg	2.45	
Transported air temperature (max)	°C	55	
Transported air temperature (min)	°C	-25	
Ingress protection rating	-	IPX4	
Ingress protection rating of the drive	-	IP44	

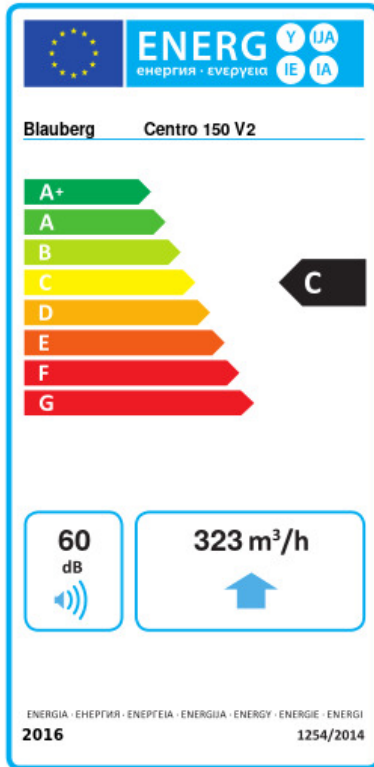


### Dimensions

Ø D	Ø D	B	L	L1	L2	L3
150/160	300	310	286	30	30	30



## Ecodesign



Trademark	Blauberg					
Model	Centro 150 V2					
Specific energy consumption (SEC) (kWh/(m <sup>2</sup> /a))	Cold		Average		Warm	
	-51.3	A+	-24.2	C	-8.7	F
Type of ventilation unit	Unidirectional					
Type of drive installed	2-speed					
Type of heat recovery system	None					
Maximum flow rate (m <sup>3</sup> /h)	323					
Electric power input (W)	59.1					
Reference flow rate (m <sup>3</sup> /s)	0.063					
Reference pressure difference (Pa)	50					
Specific power input (SPI) (W/(m <sup>3</sup> /h))	0.219					
Control typology	Local demand control					
Maximum external leakage rates (%)	2.7					
Declared typology	RVU UVU					
Sound power level (dB(A))	60					
The annual electricity consumption (AEC) (kWh/a)	Cold		Average		Warm	
	164		164		164	
The annual heating saved (AHS) (kWh/a)	Cold		Average		Warm	
	5536		2830		1280	

## Accessories

### Speed control switches

Name	Photo	Description
<a href="#">CDP-2/5</a>		Multi-speed switch
<a href="#">CDP-2/10</a>		Multi-speed switch