

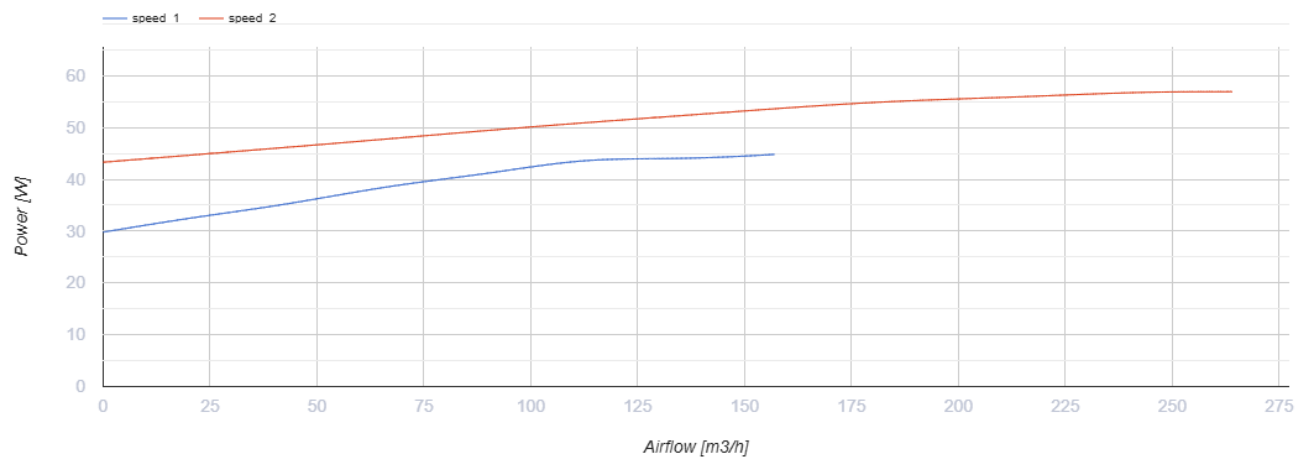
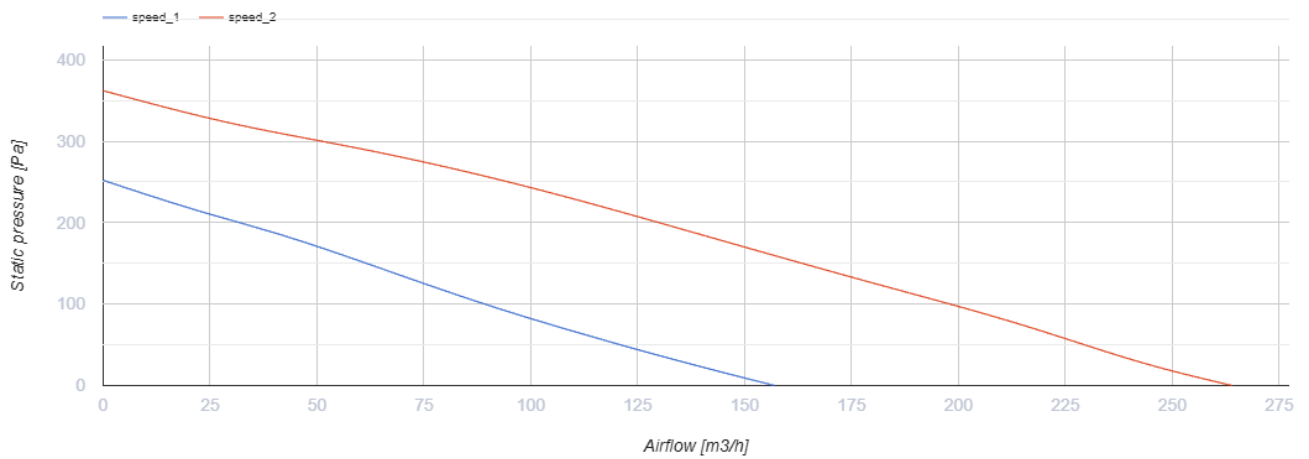


## Centro 100 V2

Centrifugal inline fans in plastic casings

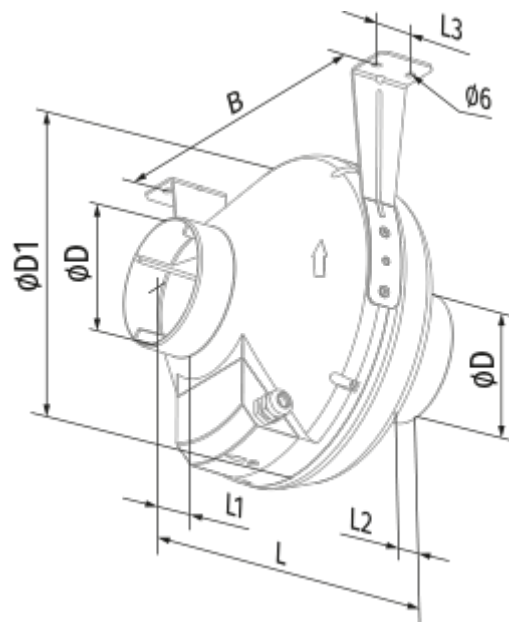
- Maximum airflow: 264
- Sound pressure level LpA at 3 m: 38
- Motor type: AC
- Impeller type: Centrifugal impeller with backward curved blades
- Casing material: Plastic
- Installation in any position

|  | Unit of measurement | Centro 100 V2 |      |
|--|---------------------|---------------|------|
| Connected air duct size                | mm                  | 100           |      |
| Speed                                  | -                   | 2             |      |
| Phases                                 | -                   | 1             |      |
| Minimum supply voltage                 | V                   | 230           |      |
| Maximum supply voltage                 | V                   | 230           |      |
| Power supply frequency                 | Hz                  | 50            |      |
| Rated power                            | W                   | 45            | 57   |
| Unit current                           | A                   | 0.21          | 0.25 |
| Maximum airflow                        | m <sup>3</sup> /h   | 157           | 264  |
| Sound pressure level LpA at 3 m        | dB(A)               | 29            | 38   |
| Weight                                 | kg                  | 2.01          |      |
| Transported air temperature (max)      | °C                  | 55            |      |
| Transported air temperature (min)      | °C                  | -25           |      |
| Ingress protection rating              | -                   | IPX4          |      |
| Ingress protection rating of the drive | -                   | IP44          |      |

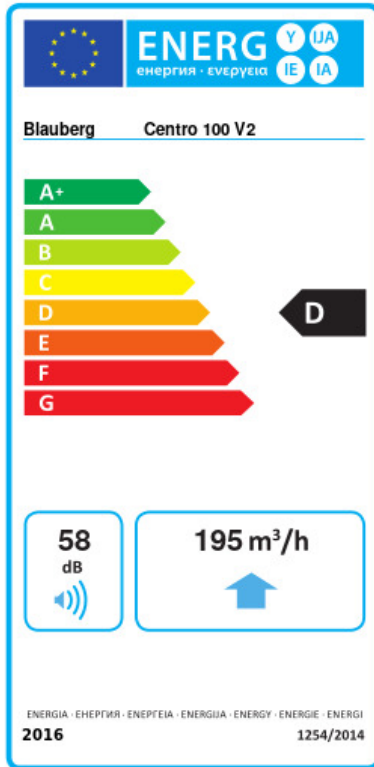


## Dimensions

| Ø D | Ø D1 | B   | L   | L1 | L2 | L3 |
|-----|------|-----|-----|----|----|----|
| 100 | 250  | 270 | 230 | 30 | 27 | 30 |



## Ecodesign



|   |                      |    |         |   |      |   |
|---|----------------------|----|---------|---|------|---|
| Trademark   | Blauberg             |    |         |   |      |   |
| Model   | Centro 100 V2        |    |         |   |      |   |
| Specific energy consumption (SEC) (kWh/(m <sup>2</sup> /a)) | Cold                 |    | Average |   | Warm |   |
|   | -49.3                | A+ | -22.2   | D | -6.7 | F |
| Type of ventilation unit                                    | Unidirectional       |    |         |   |      |   |
| Type of drive installed                                     | 2-speed              |    |         |   |      |   |
| Type of heat recovery system                                | None                 |    |         |   |      |   |
| Maximum flow rate (m <sup>3</sup> /h)                       | 195                  |    |         |   |      |   |
| Electric power input (W)                                    | 55.1                 |    |         |   |      |   |
| Reference flow rate (m <sup>3</sup> /s)                     | 0.038                |    |         |   |      |   |
| Reference pressure difference (Pa)                          | 50                   |    |         |   |      |   |
| Specific power input (SPI) (W/(m <sup>3</sup> /h))          | 0.326                |    |         |   |      |   |
| Control typology  | Local demand control |    |         |   |      |   |
| Maximum external leakage rates (%)                          | 2.7                  |    |         |   |      |   |
| Declared typology   | RVU UVU              |    |         |   |      |   |
| Sound power level (dB(A))                                   | 58                   |    |         |   |      |   |
| The annual electricity consumption (AEC) (kWh/a)            | Cold                 |    | Average |   | Warm |   |
|   | 244                  |    | 244     |   | 244  |   |
| The annual heating saved (AHS) (kWh/a)                      | Cold                 |    | Average |   | Warm |   |
|   | 5536                 |    | 2830    |   | 1280 |   |

## Accessories

### Other accessories

| Name                     | Photo | Description        |
|--------------------------|-------|--------------------|
| <a href="#">CDP-2/5</a>  |       | Multi-speed switch |
| <a href="#">CDP-2/10</a> |       | Multi-speed switch |