



Ceileo DC 150 Light T

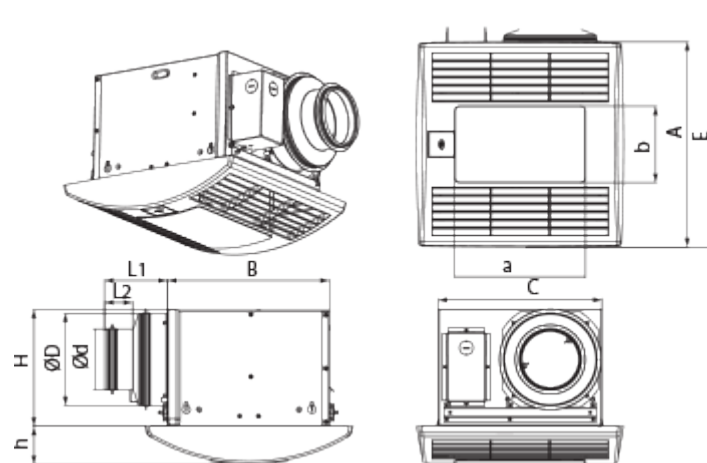
Centrifugal extract low-noise and low-watt fans for ceiling mounting

- Maximum airflow: 254
- Sound pressure level LpA at 3 m: 29
- Lighting
- Motor type: DC
- Impeller type: Centrifugal forward curved blades
- Casing material: Galvanized steel
- Backdraft protection: Backdraft damper
- Timer: Turn off timer

	Unit of measurement	Ceileo DC 150 Light T
Connected air duct size	mm	150
Speed	-	1
Minimum supply voltage	V	120
Maximum supply voltage	V	240
Power supply frequency	Hz	50/60
Rated power	W	26
Unit current	A	0.24
Maximum airflow	m ³ /h	254
rotation speed at 50hz	-	1100
Sound pressure level LpA at 3 m	dB(A)	29
Weight	kg	6.2
Ambient air temperature min	°C	1
Ambient air temperature max	°C	40
Ingress protection rating	-	IPX2


Dimensions

Ø D	L1	A	B	C	E	H	h	a	b
149	50	330	258	260	395	188	62	208	123




Accessories

Speed control switches

Name	Photo	Description
CDP-2/10		Multi-speed switch

Hoods

Name	Photo	Description
Decor S 152 HK		Metal hoods

Flexible ducts

Name	Photo	Description
BlauFlex PVC		Flexible air ducts BlauFlex