



Ceileo DC 150 Light IR

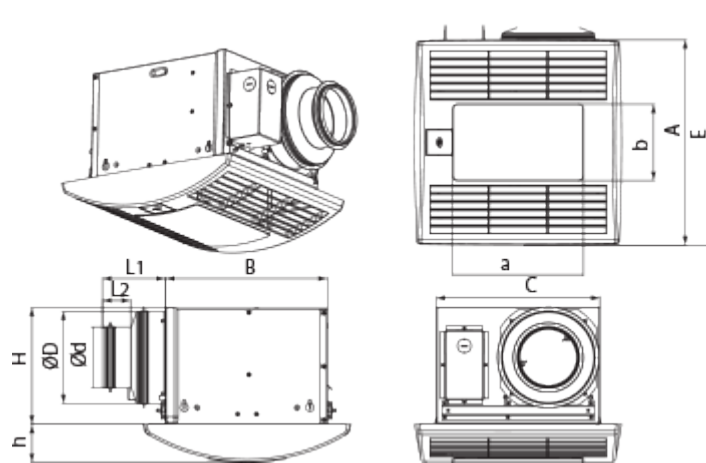
Centrifugal extract low-noise and low-watt fans for ceiling mounting

- Maximum airflow: 254
- Sound pressure level LpA at 3 m: 29
- Lighting
- Motor type: DC
- Impeller type: Centrifugal forward curved blades
- Casing material: Galvanized steel
- Backdraft protection: Backdraft damper
- Motion sensor
- Timer: Turn off timer

	Unit of measurement	Ceileo DC 150 Light IR
Connected air duct size	mm	150
Speed	-	1
Minimum supply voltage	V	120
Maximum supply voltage	V	240
Power supply frequency	Hz	50/60
Rated power	W	26
Unit current	A	0.24
Maximum airflow	m ³ /h	254
rotation speed at 50hz	-	1100
Sound pressure level LpA at 3 m	dB(A)	29
Weight	kg	6.2
Ambient air temperature min	°C	1
Ambient air temperature max	°C	40
Ingress protection rating	-	IPX2

Dimensions

Ø D	L1	A	B	C	E	H	h	a	b
149	50	330	258	260	395	188	62	208	123




Ecodesign



Trademark	Blauberg					
Model	Ceileo DC 150 Light IR					
Specific energy consumption (SEC) (kWh/(m ² /a))	Cold		Average		Warm	
	-54	A+	-27	B	-11.5	E
Type of ventilation unit	Unidirectional					
Type of drive installed	Variable speed					
Type of heat recovery system	None					
Maximum flow rate (m ³ /h)	100					
Electric power input (W)	14					
Reference flow rate (m ³ /s)	0.044					
Reference pressure difference (Pa)	50					
Specific power input (SPI) (W/(m ³ /h))	0.1					
Control typology	Local demand control					
Maximum external leakage rates (%)	2.7					
Sound power level (dB(A))	53					
Declared typology	RVU UVU					
The annual electricity consumption (AEC) (kWh/a)	Cold	Average		Warm		
	53	53		53		
The annual heating saved (AHS) (kWh/a)	Cold	Average		Warm		
	5536	2830		1280		

Accessories

Other accessories

Name	Photo	Description
CDP-2/10		Multi-speed switch

Hoods

Name	Photo	Description
------	-------	-------------

Decor S 152 HK		Metal hoods
--------------------------------	---	-------------

Air distribution

Name	Photo	Description
BlauFlex PVC		Flexible air ducts BlauFlex