

# Ceileo DC 150 H

Centrifugal extract low-noise and low-watt fans for ceiling mounting

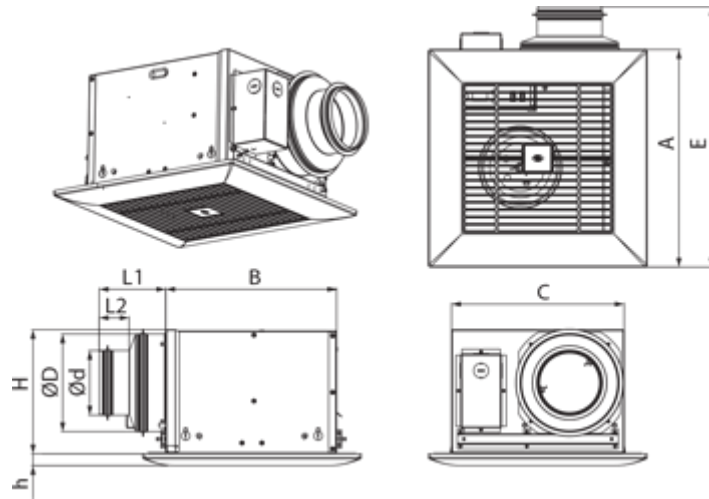


- Maximum airflow: 254
- Sound pressure level LpA at 3 m: 29
- Motor type: DC
- Impeller type: Centrifugal forward curved blades
- Casing material: Galvanized steel
- Backdraft protection: Backdraft damper
- Humidity sensor
- Timer: Turn off timer

|                                 | Unit of measurement | Ceileo DC 150 H |
|---------------------------------|---------------------|-----------------|
| Connected air duct size         | mm                  | 150             |
| Speed                           | -                   | 1               |
| Minimum supply voltage          | V                   | 120             |
| Maximum supply voltage          | V                   | 240             |
| Power supply frequency          | Hz                  | 50/60           |
| Rated power                     | W                   | 26              |
| Unit current                    | A                   | 0.24            |
| Maximum airflow                 | m <sup>3</sup> /h   | 254             |
| rotation speed at 50hz          | -                   | 1100            |
| Sound pressure level LpA at 3 m | dB(A)               | 29              |
| Weight                          | kg                  | 5.1             |
| Ambient air temperature min     | °C                  | 1               |
| Ambient air temperature max     | °C                  | 40              |
| Ingress protection rating       | -                   | IPX2            |

## Dimensions

| Ø D | L1 | A   | B   | C   | E   | H   | h  |
|-----|----|-----|-----|-----|-----|-----|----|
| 149 | 50 | 330 | 258 | 260 | 395 | 188 | 18 |




## Ecodesign



|                                                             |                      |    |         |   |       |   |
|-------------------------------------------------------------|----------------------|----|---------|---|-------|---|
| Trademark                                                   | Blauberg             |    |         |   |       |   |
| Model                                                       | Ceileo DC 150 H      |    |         |   |       |   |
| Specific energy consumption (SEC) (kWh/(m <sup>2</sup> /a)) | Cold                 |    | Average |   | Warm  |   |
|                                                             | -54                  | A+ | -27     | B | -11.5 | E |
| Type of ventilation unit                                    | Unidirectional       |    |         |   |       |   |
| Type of drive installed                                     | Variable speed       |    |         |   |       |   |
| Type of heat recovery system                                | None                 |    |         |   |       |   |
| Maximum flow rate (m <sup>3</sup> /h)                       | 100                  |    |         |   |       |   |
| Electric power input (W)                                    | 14                   |    |         |   |       |   |
| Reference flow rate (m <sup>3</sup> /s)                     | 0.044                |    |         |   |       |   |
| Reference pressure difference (Pa)                          | 50                   |    |         |   |       |   |
| Specific power input (SPI) (W/(m <sup>3</sup> /h))          | 0.1                  |    |         |   |       |   |
| Control typology                                            | Local demand control |    |         |   |       |   |
| Maximum external leakage rates (%)                          | 2.7                  |    |         |   |       |   |
| Sound power level (dB(A))                                   | 53                   |    |         |   |       |   |
| Declared typology                                           | RVU UVU              |    |         |   |       |   |
| The annual electricity consumption (AEC) (kWh/a)            | Cold                 |    | Average |   | Warm  |   |
|                                                             | 53                   |    | 53      |   | 53    |   |
| The annual heating saved (AHS) (kWh/a)                      | Cold                 |    | Average |   | Warm  |   |
|                                                             | 5536                 |    | 2830    |   | 1280  |   |

## Accessories

### Other accessories

| Name                     | Photo                                                                               | Description        |
|--------------------------|-------------------------------------------------------------------------------------|--------------------|
| <a href="#">CDP-2/10</a> |  | Multi-speed switch |

### Hoods

| Name | Photo | Description |
|------|-------|-------------|
|------|-------|-------------|

|                                |                                                                                   |             |
|--------------------------------|-----------------------------------------------------------------------------------|-------------|
| <a href="#">Decor S 152 HK</a> |  | Metal hoods |
|--------------------------------|-----------------------------------------------------------------------------------|-------------|

### Air distribution

| Name                         | Photo | Description                 |
|------------------------------|-------|-----------------------------|
| <a href="#">BlauFlex PVC</a> |       | Flexible air ducts BlauFlex |