

# Ceileo Compact DC 110 Light H

Low profile extract fans with low noise and power consumption for ceiling mounting

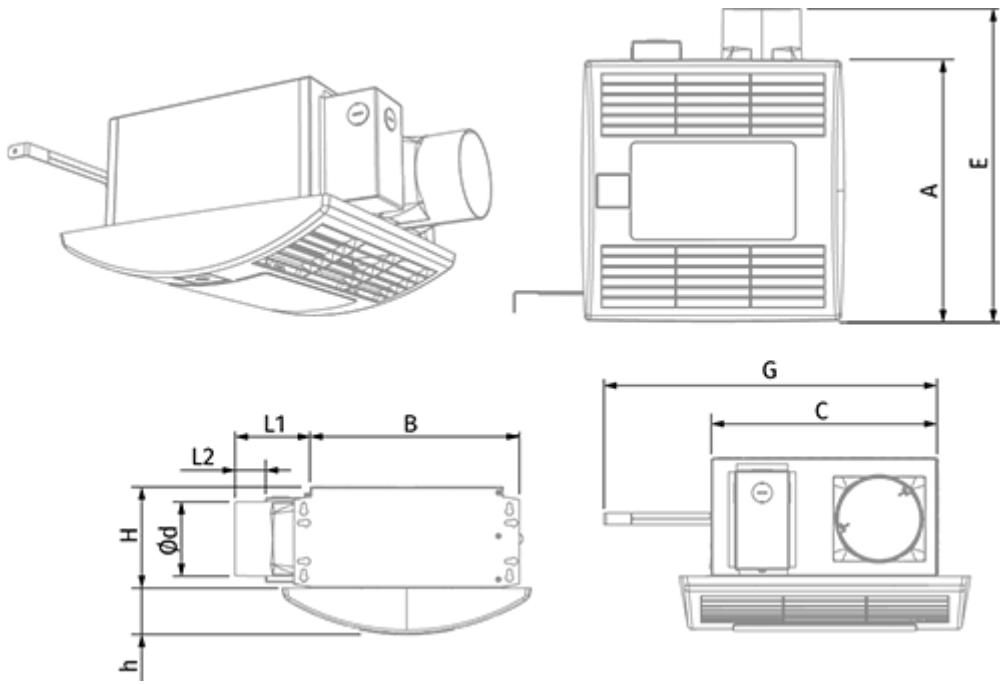


- Maximum airflow: 187
- Sound pressure level LpA at 3 m: 25
- Lighting
- Motor type: DC
- Control: Built-in control panel
- Impeller type: Centrifugal forward curved blades
- Casing material: Galvanized steel
- Backdraft protection: Backdraft damper
- Humidity sensor
- Timer: Turn off timer, Turn on timer

	Unit of measurement	Ceileo Compact DC 110 Light H
Connected air duct size	mm	100
Speed	-	1
Minimum supply voltage	V	120
Maximum supply voltage	V	240
Power supply frequency	Hz	50/60
Rated power	W	19
Unit current	A	0.18
Maximum airflow	m <sup>3</sup> /h	187
rotation speed at 50hz	-	1100
Sound pressure level LpA at 3 m	dB(A)	25
Weight	kg	6.4
Ambient air temperature min	°C	1
Ambient air temperature max	°C	40
Ingress protection rating	-	IPX2

## Dimensions

Ø d	L1	L2	A	B	C	E	H	h	G
98	100	40.5	330	278	255	395	134	57	max 620




## Ecodesign



Trademark	Blauberg					
Model	Ceileo Compact DC 110 Light H					
Specific energy consumption (SEC) (kWh/(m <sup>2</sup> /a))	Cold		Average		Warm	
	-53.9	A+	-26.9	B	-11.4	E
Type of ventilation unit	Unidirectional					
Type of drive installed	Variable speed					
Type of heat recovery system	None					
Maximum flow rate (m <sup>3</sup> /h)	90					
Electric power input (W)	14					
Reference flow rate (m <sup>3</sup> /s)	0.037					
Reference pressure difference (Pa)	50					
Specific power input (SPI) (W/(m <sup>3</sup> /h))	0.109					
Control typology	Local demand control					
Maximum external leakage rates (%)	2.7					
Sound power level (dB(A))	49					
Declared typology	RVU UVU					
The annual electricity consumption (AEC) (kWh/a)	Cold		Average		Warm	
	58		58		58	
The annual heating saved (AHS) (kWh/a)	Cold		Average		Warm	
	5536		2830		1280	

## Accessories

### Other accessories

Name	Photo	Description
<a href="#">CDP-2/10</a>		Multi-speed switch

### Hoods

Name	Photo	Description
------	-------	-------------

<a href="#">Decor S 102 HK</a>		Metal hoods
--------------------------------	---	-------------

### Air distribution

Name	Photo	Description
<a href="#">BlauFlex PVC</a>		Flexible air ducts BlauFlex