

# Ceileo Compact DC 110 Light

Low profile extract fans with low noise and power consumption for ceiling mounting

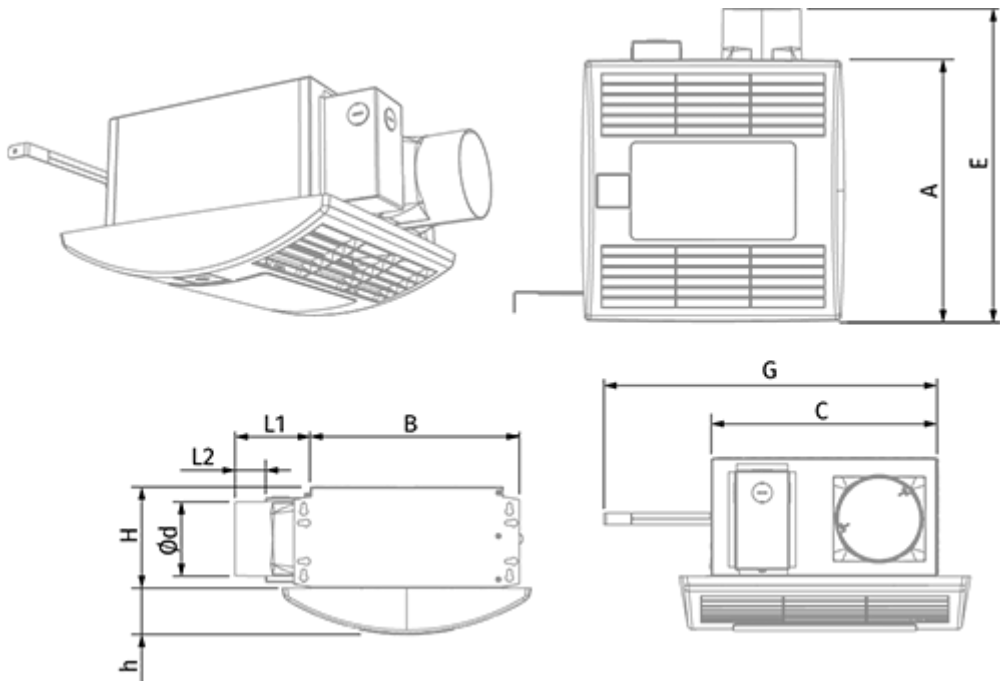


- Maximum airflow: 187
- Sound pressure level LpA at 3 m: 25
- Lighting
- Motor type: DC
- Control: Built-in control panel
- Impeller type: Centrifugal forward curved blades
- Casing material: Galvanized steel
- Backdraft protection: Backdraft damper
- Timer: Turn off timer, Turn on timer

|                                 | Unit of measurement | Ceileo Compact DC 110 Light |
|---------------------------------|---------------------|-----------------------------|
| Connected air duct size         | mm                  | 100                         |
| Speed                           | -                   | 1                           |
| Minimum supply voltage          | V                   | 120                         |
| Maximum supply voltage          | V                   | 240                         |
| Power supply frequency          | Hz                  | 50/60                       |
| Rated power                     | W                   | 19                          |
| Unit current                    | A                   | 0.18                        |
| Maximum airflow                 | m <sup>3</sup> /h   | 187                         |
| rotation speed at 50hz          | -                   | 1100                        |
| Sound pressure level LpA at 3 m | dB(A)               | 25                          |
| Weight                          | kg                  | 6.4                         |
| Ambient air temperature min     | °C                  | 1                           |
| Ambient air temperature max     | °C                  | 40                          |
| Ingress protection rating       | -                   | IPX2                        |

## Dimensions

| Ø d | L1  | L2   | A   | B   | C   | E   | H   | h  | G       |
|-----|-----|------|-----|-----|-----|-----|-----|----|---------|
| 98  | 100 | 40.5 | 330 | 278 | 255 | 395 | 134 | 57 | max 620 |




## Ecodesign



|   |                             |   |         |   |      |   |
|---|-----------------------------|---|---------|---|------|---|
| Trademark   | Blauberg                    |   |         |   |      |   |
| Model   | Ceileo Compact DC 110 Light |   |         |   |      |   |
| Specific energy consumption (SEC) (kWh/(m <sup>2</sup> /a)) | Cold                        |   | Average |   | Warm |   |
|   | -33.6                       | B | -15.7   | E | -5.4 | F |
| Type of ventilation unit                                    | Unidirectional              |   |         |   |      |   |
| Type of drive installed                                     | Variable speed              |   |         |   |      |   |
| Type of heat recovery system                                | None                        |   |         |   |      |   |
| Maximum flow rate (m <sup>3</sup> /h)                       | 90                          |   |         |   |      |   |
| Electric power input (W)                                    | 14                          |   |         |   |      |   |
| Reference flow rate (m <sup>3</sup> /s)                     | 0.037                       |   |         |   |      |   |
| Reference pressure difference (Pa)                          | 50                          |   |         |   |      |   |
| Specific power input (SPI) (W/(m <sup>3</sup> /h))          | 0.109                       |   |         |   |      |   |
| Control typology  | Clock control               |   |         |   |      |   |
| Maximum external leakage rates (%)                          | 2.7                         |   |         |   |      |   |
| Sound power level (dB(A))                                   | 49                          |   |         |   |      |   |
| Declared typology   | RVU UVU                     |   |         |   |      |   |
| The annual electricity consumption (AEC) (kWh/a)            | Cold                        |   | Average |   | Warm |   |
|   | 123                         |   | 123     |   | 123  |   |
| The annual heating saved (AHS) (kWh/a)                      | Cold                        |   | Average |   | Warm |   |
|   | 3667                        |   | 1874    |   | 848  |   |

## Accessories

### Speed control switches

| Name                     | Photo   | Description        |
|--------------------------|---|--------------------|
| <a href="#">CDP-2/10</a> |  | Multi-speed switch |

### Hoods

| Name | Photo | Description |
|------|-------|-------------|
|------|-------|-------------|

|                                |   |             |
|--------------------------------|---|-------------|
| <a href="#">Decor S 102 HK</a> |  | Metal hoods |
|--------------------------------|---|-------------|

### Flexible ducts

| Name                         | Photo | Description                 |
|------------------------------|-------|-----------------------------|
| <a href="#">BlauFlex PVC</a> |       | Flexible air ducts BlauFlex |