



Ceileo Compact 250 H

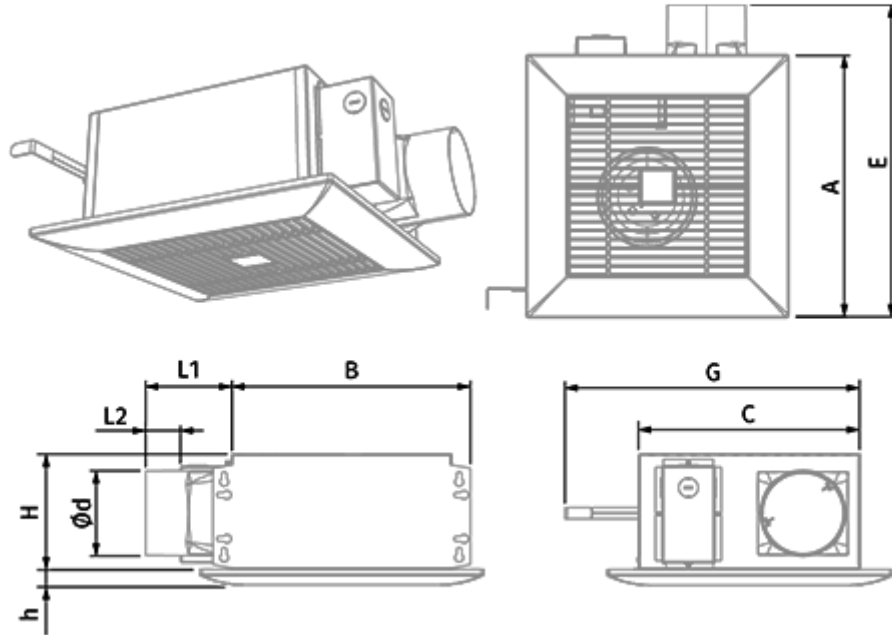
Low profile extract fans with low noise and power consumption for ceiling mounting

- Maximum airflow: 270
- Sound pressure level LpA at 3 m: 30
- Impeller type: Centrifugal forward curved blades
- Casing material: Galvanized steel
- Backdraft protection: Backdraft damper
- Humidity sensor
- Timer: Turn off timer

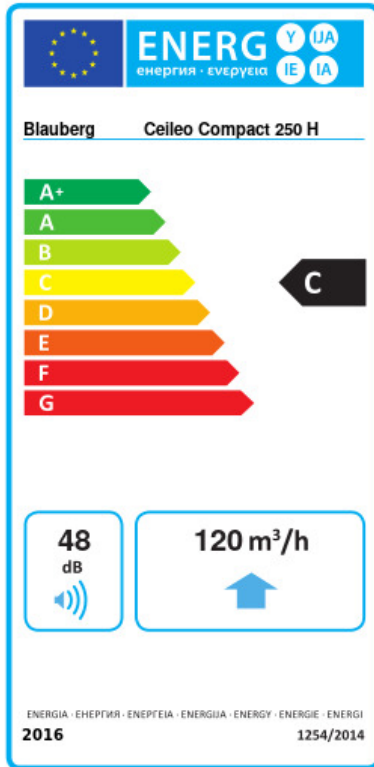
	Unit of measurement	Ceileo Compact 250 H			
Connected air duct size	mm	100			
Speed	-	2			
Phases	-	1			
Minimum supply voltage	V	220			
Maximum supply voltage	V	240			
Power supply frequency	Hz	50		60	
Rated power	W	23	39	50	25
Unit current	A	0.12	0.18	0.22	0.14
Maximum airflow	m ³ /h	170	260	270	160
rotation speed at 50hz	-	756	1122	1140	732
Sound pressure level LpA at 3 m	dB(A)	25	29	30	25
Weight	kg	5.3			
Ambient air temperature min	°C	1			
Ambient air temperature max	°C	40			
Ingress protection rating	-	IPX2			

Dimensions

$\varnothing d$	L1	L2	A	B	C	E	H	h	G
98	100	40.5	330	278	255	395	134	18	max 620



Ecodesign



Trademark	Blauberg					
Model	Ceileo Compact 250 H					
Specific energy consumption (SEC) (kWh/(m ² /a))	Cold		Average		Warm	
	-52.4	A+	-25.3	C	-9.8	F
Type of ventilation unit	Unidirectional					
Type of drive installed	2-speed					
Type of heat recovery system	None					
Maximum flow rate (m ³ /h)	120					
Electric power input (W)	36					
Reference flow rate (m ³ /s)	0.037					
Reference pressure difference (Pa)	50					
Specific power input (SPI) (W/(m ³ /h))	0.159					
Control typology	Local demand control					
Maximum external leakage rates (%)	2.7					
Sound power level (dB(A))	48					
Declared typology	RVU UVU					
The annual electricity consumption (AEC) (kWh/a)	Cold		Average		Warm	
	119		119		119	
The annual heating saved (AHS) (kWh/a)	Cold		Average		Warm	
	5536		2830		1280	

Accessories

Speed control switches

Name	Photo	Description
CDP-2/10		Multi-speed switch

Hoods

Name	Photo	Description
------	-------	-------------

Decor S 102 HK		Metal hoods
--------------------------------	---	-------------

Flexible ducts

Name	Photo	Description
BlauFlex PVC		Flexible air ducts BlauFlex