



Ceileo Compact 200 T

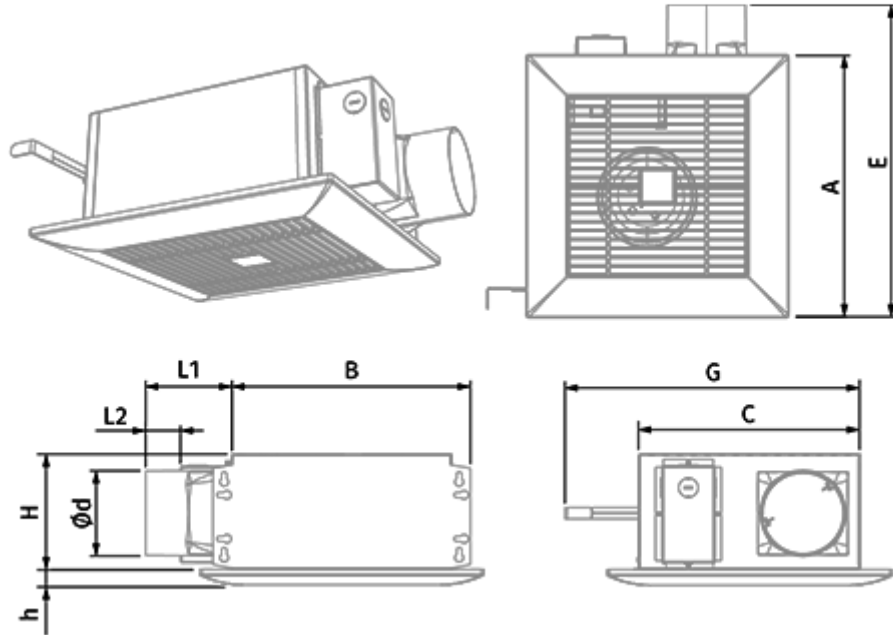
Low profile extract fans with low noise and power consumption for ceiling mounting

- Maximum airflow: 225
- Sound pressure level LpA at 3 m: 28
- Impeller type: Centrifugal forward curved blades
- Casing material: Galvanized steel
- Backdraft protection: Backdraft damper
- Timer: Turn off timer

	Unit of measurement	Ceileo Compact 200 T			
Connected air duct size	mm	100			
Speed	-	2			
Phases	-	1			
Minimum supply voltage	V	220			
Maximum supply voltage	V	240			
Power supply frequency	Hz	50		60	
Rated power	W	20	29	21	34
Unit current	A	0.1	0.13	0.11	0.15
Maximum airflow	m ³ /h	130	210	130	225
rotation speed at 50hz	-	714	1026	588	936
Sound pressure level LpA at 3 m	dB(A)	24	27	24	28
Weight	kg	5.3			
Ambient air temperature min	°C	1			
Ambient air temperature max	°C	40			
Ingress protection rating	-	IPX2			

Dimensions

Ø d	L1	L2	A	B	C	E	H	h	G
98	100	40.5	330	278	255	395	134	18	max 620




Ecodesign



Trademark	Blauberg					
Model	Ceileo Compact 200 T					
Specific energy consumption (SEC) (kWh/(m ² /a))	Cold		Average		Warm	
	-30.4	B	-12.5	E	-2.2	F
Type of ventilation unit	Unidirectional					
Type of drive installed	2-speed					
Type of heat recovery system	None					
Maximum flow rate (m ³ /h)	64					
Electric power input (W)	25.5					
Reference flow rate (m ³ /s)	0.024					
Reference pressure difference (Pa)	50					
Specific power input (SPI) (W/(m ³ /h))	0.212					
Control typology	Clock control					
Maximum external leakage rates (%)	2.7					
Sound power level (dB(A))	45					
Declared typology	RVU UVU					
The annual electricity consumption (AEC) (kWh/a)	Cold		Average		Warm	
	249		249		249	
The annual heating saved (AHS) (kWh/a)	Cold		Average		Warm	
	3667		1874		848	

Accessories

Speed control switches

Name	Photo	Description
CDP-2/10		Multi-speed switch

Hoods

Name	Photo	Description
------	-------	-------------

Decor S 102 HK		Metal hoods
--------------------------------	---	-------------

Flexible ducts

Name	Photo	Description
BlauFlex PVC		Flexible air ducts BlauFlex