

# Ceileo Compact 200 Light T

Low profile extract fans with low noise and power consumption for ceiling mounting

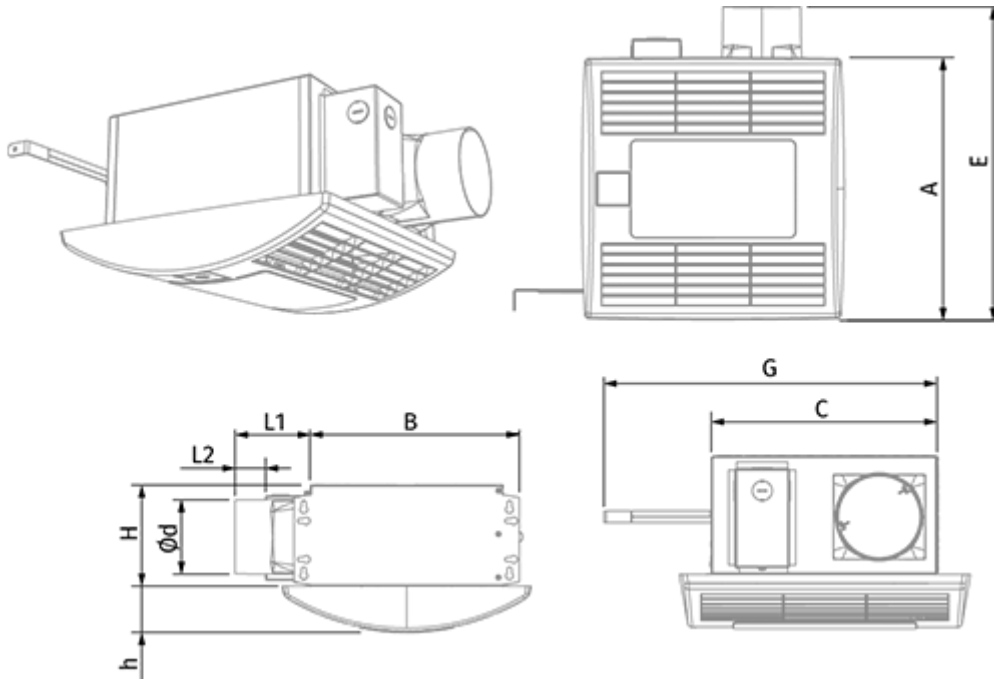


- Maximum airflow: 225
- Sound pressure level LpA at 3 m: 28
- Lighting
- Impeller type: Centrifugal forward curved blades
- Casing material: Galvanized steel
- Backdraft protection: Backdraft damper
- Timer: Turn off timer

	Unit of measurement	Ceileo Compact 200 Light T			
Connected air duct size	mm	100			
Speed	-	2			
Phases	-	1			
Minimum supply voltage	V	220			
Maximum supply voltage	V	240			
Power supply frequency	Hz	50		60	
Rated power	W	20	29	34	21
Unit current	A	0.1	0.13	0.15	0.11
Maximum airflow	m <sup>3</sup> /h	130	210	225	130
rotation speed at 50hz	-	714	1026	936	588
Sound pressure level LpA at 3 m	dB(A)	24	27	28	24
Weight	kg	6.4			
Ambient air temperature min	°C	1			
Ambient air temperature max	°C	40			
Ingress protection rating	-	IPX2			

## Dimensions

$\varnothing d$	L1	L2	A	B	C	E	H	h	G
98	100	40.5	330	278	255	395	134	57	max 620




## Ecodesign



Trademark	Blauberg					
Model	Ceileo Compact 200 Light T					
Specific energy consumption (SEC) (kWh/(m <sup>2</sup> /a))	Cold		Average		Warm	
	-30.4	B	-12.5	E	-2.2	F
Type of ventilation unit	Unidirectional					
Type of drive installed	2-speed					
Type of heat recovery system	None					
Maximum flow rate (m <sup>3</sup> /h)	64					
Electric power input (W)	25.5					
Reference flow rate (m <sup>3</sup> /s)	0.024					
Reference pressure difference (Pa)	50					
Specific power input (SPI) (W/(m <sup>3</sup> /h))	0.212					
Control typology	Clock control					
Maximum external leakage rates (%)	2.7					
Sound power level (dB(A))	45					
Declared typology	RVU UVU					
The annual electricity consumption (AEC) (kWh/a)	Cold		Average		Warm	
	249		249		249	
The annual heating saved (AHS) (kWh/a)	Cold		Average		Warm	
	3667		1874		848	

## Accessories

### Other accessories

Name	Photo	Description
<a href="#">CDP-2/10</a>		Multi-speed switch

### Hoods

Name	Photo	Description
------	-------	-------------

<a href="#">Decor S 102 HK</a>		Metal hoods
--------------------------------	---	-------------

**Air distribution**

Name	Photo	Description
<a href="#">BlauFlex PVC</a>		Flexible air ducts BlauFlex