



Ceileo 300 Light H

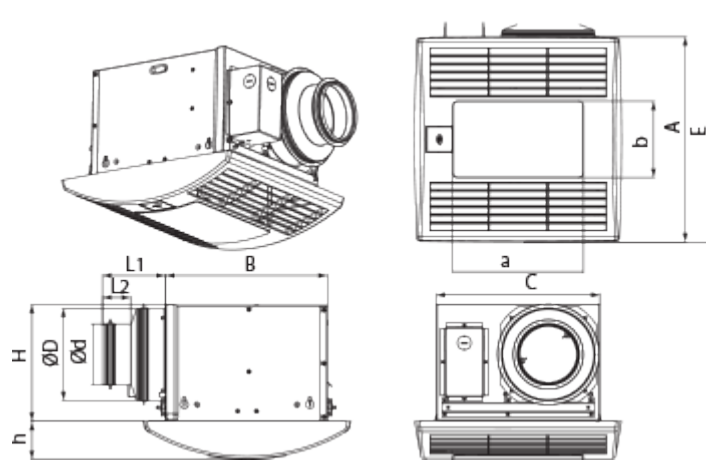
Centrifugal extract low-noise and low-watt fans for ceiling mounting

- Maximum airflow: 320
- Sound pressure level LpA at 3 m: 32
- Lighting
- Impeller type: Centrifugal forward curved blades
- Casing material: Galvanized steel
- Backdraft protection: Backdraft damper
- Humidity sensor
- Timer: Turn off timer

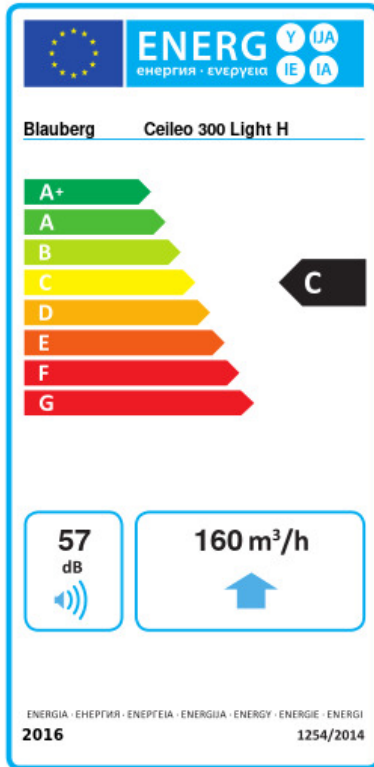
	Unit of measurement	Ceileo 300 Light H			
Connected air duct size	mm	150			
Speed	-	2			
Phases	-	1			
Minimum supply voltage	V	230			
Maximum supply voltage	V	230			
Power supply frequency	Hz	50		60	
Rated power	W	31	49	35	63
Unit current	A	0.15	0.22	0.17	0.28
Maximum airflow	m ³ /h	220	300	200	320
rotation speed at 50hz	-	936	1254	888	1320
Sound pressure level LpA at 3 m	dB(A)	28	31	27	32
Weight	kg	6.2			
Ambient air temperature min	°C	1			
Ambient air temperature max	°C	40			
Ingress protection rating	-	IPX2			

Dimensions

Ø D	L1	A	B	C	E	H	h	a	b
149	50	330	258	260	395	188	62	208	123



Ecodesign



Trademark	Blauberg					
Model	Ceileo 300 Light H					
Specific energy consumption (SEC) (kWh/(m ² /a))	Cold		Average		Warm	
	-52.5	A+	-25.4	C	-9.9	F
Type of ventilation unit	Unidirectional					
Type of drive installed	2-speed					
Type of heat recovery system	None					
Maximum flow rate (m ³ /h)	160					
Electric power input (W)	44					
Reference flow rate (m ³ /s)	0.044					
Reference pressure difference (Pa)	50					
Specific power input (SPI) (W/(m ³ /h))	0.156					
Control typology	Local demand control					
Maximum external leakage rates (%)	2.7					
Sound power level (dB(A))	57					
Declared typology	RVU UVU					
The annual electricity consumption (AEC) (kWh/a)	Cold		Average		Warm	
	116		116		116	
The annual heating saved (AHS) (kWh/a)	Cold		Average		Warm	
	5536		2830		1280	

Accessories

Other accessories

Name	Photo	Description
CDP-2/10		Multi-speed switch

Hoods

Name	Photo	Description
------	-------	-------------

Decor S 152 HK		Metal hoods
--------------------------------	---	-------------

Air distribution

Name	Photo	Description
BlauFlex PVC		Flexible air ducts BlauFlex