



Ceileo 250 Light IR

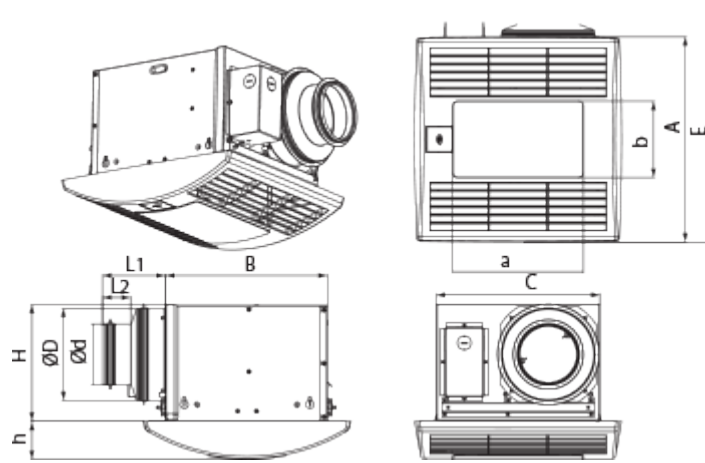
Centrifugal extract low-noise and low-watt fans for ceiling mounting


- Maximum airflow: 270
- Sound pressure level LpA at 3 m: 30
- Lighting
- Impeller type: Centrifugal forward curved blades
- Casing material: Galvanized steel
- Backdraft protection: Backdraft damper
- Motion sensor
- Timer: Turn off timer

	Unit of measurement	Ceileo 250 Light IR			
Connected air duct size	mm	100/150			
Speed	-	2			
Phases	-	1			
Minimum supply voltage	V	230			
Maximum supply voltage	V	230			
Power supply frequency	Hz	50		60	
Rated power	W	23	39	25	50
Unit current	A	0.12	0.18	0.14	0.22
Maximum airflow	m ³ /h	170	260	160	270
rotation speed at 50hz	-	756	1122	732	1140
Sound pressure level LpA at 3 m	dB(A)	25	29	25	30
Weight	kg	6.4			
Ambient air temperature min	°C	1			
Ambient air temperature max	°C	40			
Ingress protection rating	-	IPX2			

Dimensions

$\varnothing D$	$\varnothing d$	L1	L2	A	B	C	E	H	h	a	b
148	98	100	45	330	258	260	395	188	62	208	123



Decor S 152 HK		Metal hoods
--------------------------------	---	-------------

Flexible ducts

Name	Photo	Description
BlauFlex PVC		Flexible air ducts BlauFlex