



Bravo Still Chrome 125 SH

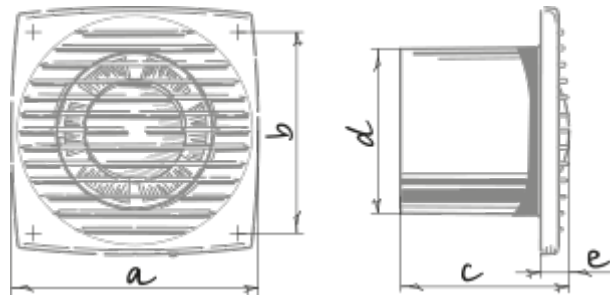
Extract fans

- Maximum airflow: 115
- Sound pressure level LpA at 3 m: 31
- Motor type: AC
- Casing material: Plastic
- Backdraft protection: Backdraft damper
- Pull cord
- Humidity sensor
- Timer: Turn off timer

	Unit of measurement	Bravo Still Chrome 125 SH
Connected air duct size	mm	125
Speed	-	1
Minimum supply voltage	V	220
Maximum supply voltage	V	240
Power supply frequency	Hz	50
Rated power	W	9.3
Unit current	A	0.006
Maximum airflow	m ³ /h	115
Sound pressure level LpA at 3 m	dB(A)	31
Ambient air temperature min	°C	1
Ambient air temperature max	°C	40
Ingress protection rating	-	IP34

Dimensions

a	b	c	∅ d	e
176	144	104	125	17



Accessories

Other accessories

Name	Photo	Description
CDT E1.8		Thyristor speed controller