



# Bravo 150 IR

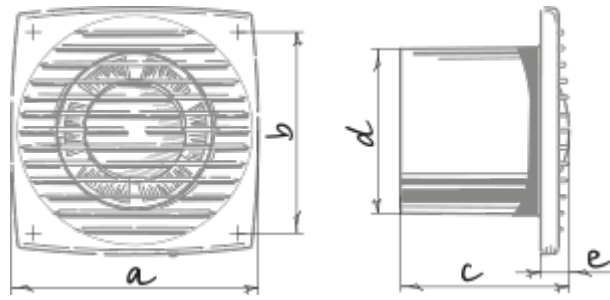
Extract fans

- Sound pressure level LpA at 3 m: 39
- Backdraft protection: Backdraft damper
- Motion sensor

	Unit of measurement	Bravo 150 IR
Connected air duct size	mm	150
Minimum supply voltage	V	220
Maximum supply voltage	V	240
Power supply frequency	Hz	50
Rated power	W	24
Unit current	A	0.13
Maximum airflow	m <sup>3</sup> /h	305
Sound pressure level LpA at 3 m	dB(A)	39
Ingress protection rating	-	IP34
Impeller material	-	Plastic
Article	-	8005787

## Dimensions

a	b	c	Ø d	e
205	174	124	150	19



## Ecodesign

Trademark	Blauberg					
Model	Bravo 150 IR					
Specific energy consumption (SEC) (kWh/(m <sup>2</sup> /a))	Cold		Average		Warm	
	0	B	0	E	0	F
Type of ventilation unit	Unidirectional					
Type of drive installed	Multi-speed					
Type of heat recovery system	None					
Maximum flow rate (m <sup>3</sup> /h)	0					
Electric power input (W)	0					
Reference flow rate (m <sup>3</sup> /s)	0					
Specific power input (SPI) (W/(m <sup>3</sup> /h))	0					
Control typology	Manual control					
Maximum external leakage rates (%)	0					
Declared typology	RVU UVU					
Sound power level (dB(A))	0					
The annual electricity consumption (AEC) (kWh/a)	Cold		Average		Warm	
	0		0		0	
The annual heating saved (AHS) (kWh/a)	Cold		Average		Warm	
	0		0		0	