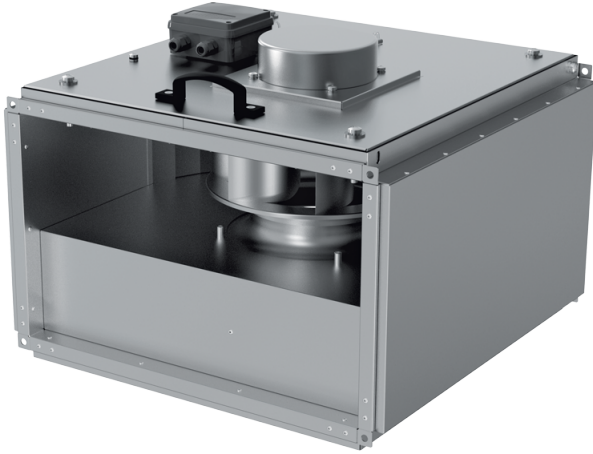


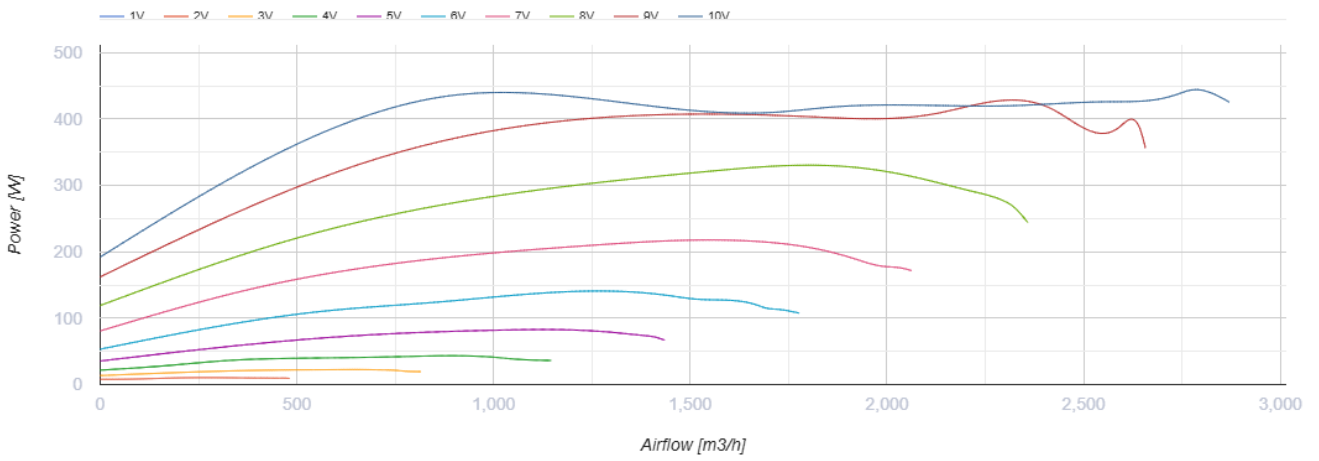
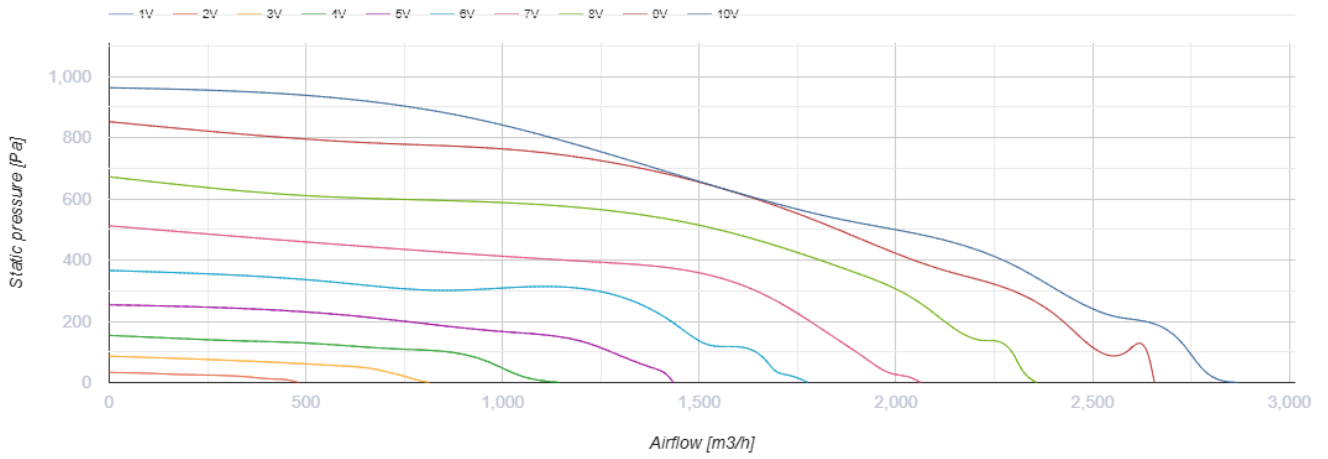
# Box-I EC 50x25-1 max

Centrifugal inline fans with backward curved blades in sound-insulated casings with EC-motors

- Sound pressure level LpA at 3 m: 41
- Sound-insulated casing
- Impeller type: Centrifugal impeller with backward curved blades
- Casing material: Galvanized steel
- Installation in any position

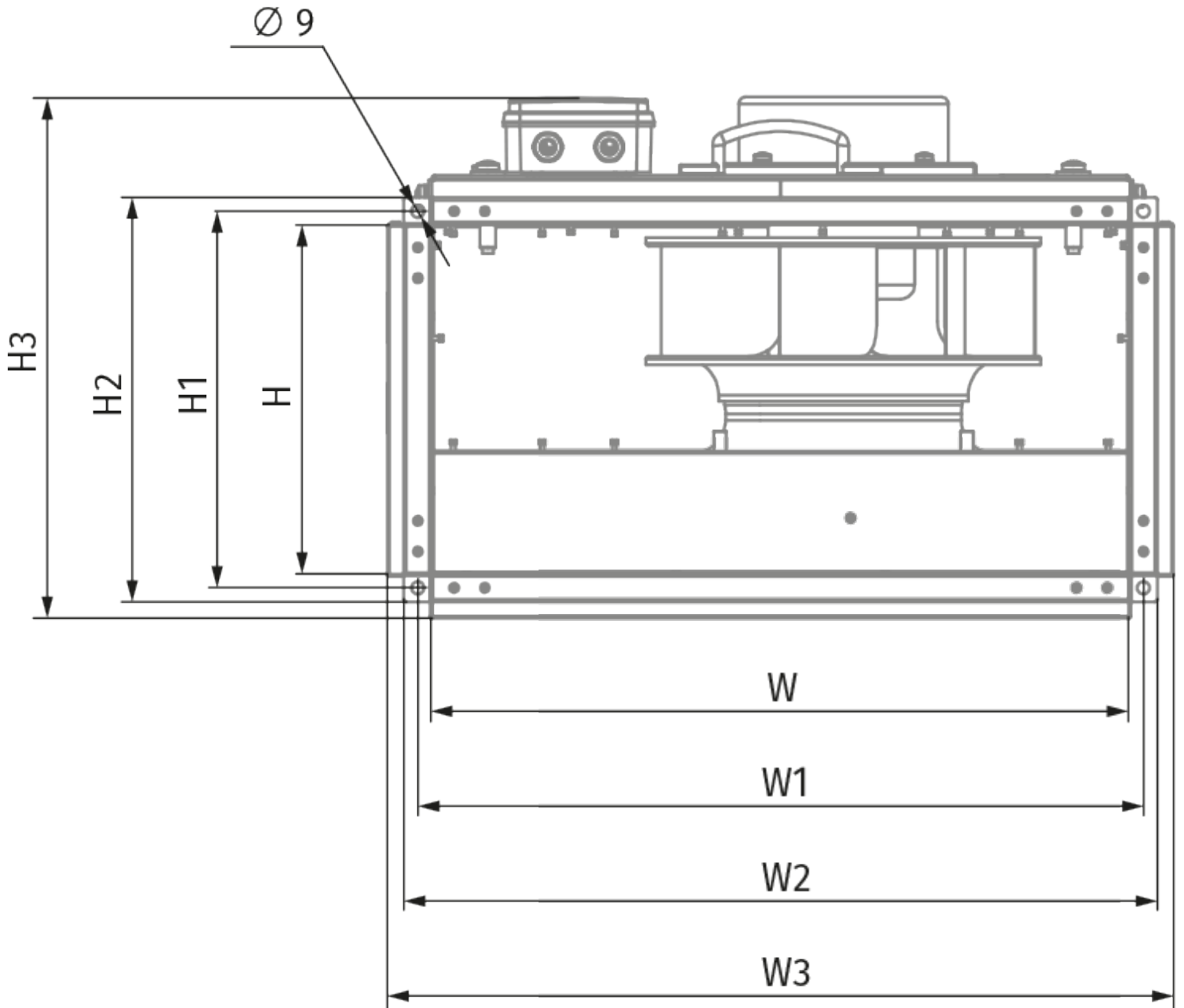


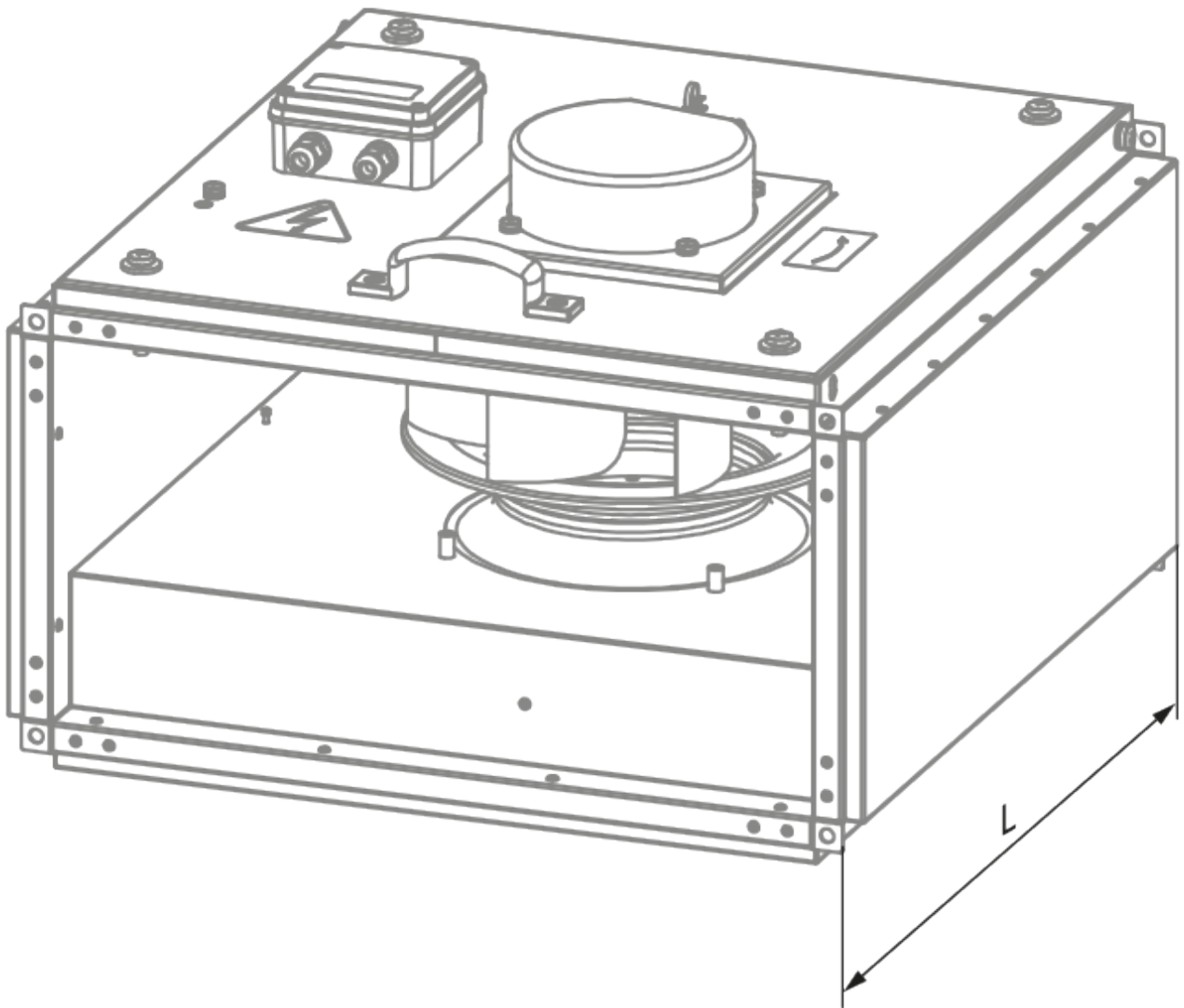
	Unit of measurement	Box-I EC 50x25-1 max
Connected air duct size	mm	500x250
Phases	-	1
Minimum supply voltage	V	230
Maximum supply voltage	V	230
Power supply frequency	Hz	50/60
Rated power	W	555
Unit current	A	4.1
Maximum airflow	m <sup>3</sup> /h	2480
Rotation speed at 50hz	-	3100
Sound pressure level LpA at 3 m	dB(A)	41
Weight	kg	27.7
Transported air temperature (max)	°C	50
Transported air temperature (min)	°C	-25
Ingress protection rating	-	IPX4
Ingress protection rating of the drive	-	IP54
Impeller material	-	Aluminium
Article	-	8061929



## Dimensions

H	H1	H2	H3	L	W	W1	W2	W3
250	270	290	373	560	500	520	540	564






## Ecodesign

Trademark	Blauberg
Model	Box-I EC 50x25-1 max
Type of ventilation unit	Unidirectional
Type of drive installed	Integrated VSD
Type of heat recovery system	None
Nominal external pressure (Pa)	501
Maximum external leakage rates (%)	2.7
Static efficiency (%)	76.6
Declared typology	NRVU UVU
Effective electric power input (kW)	0.321
Sound power level (dB(A))	61

## Accessories

### EC motors regulators

Name	Photo	Description
<a href="#">CDT E/0-10</a>		Speed control for EC motors