

# Box-I EC 50x25-1

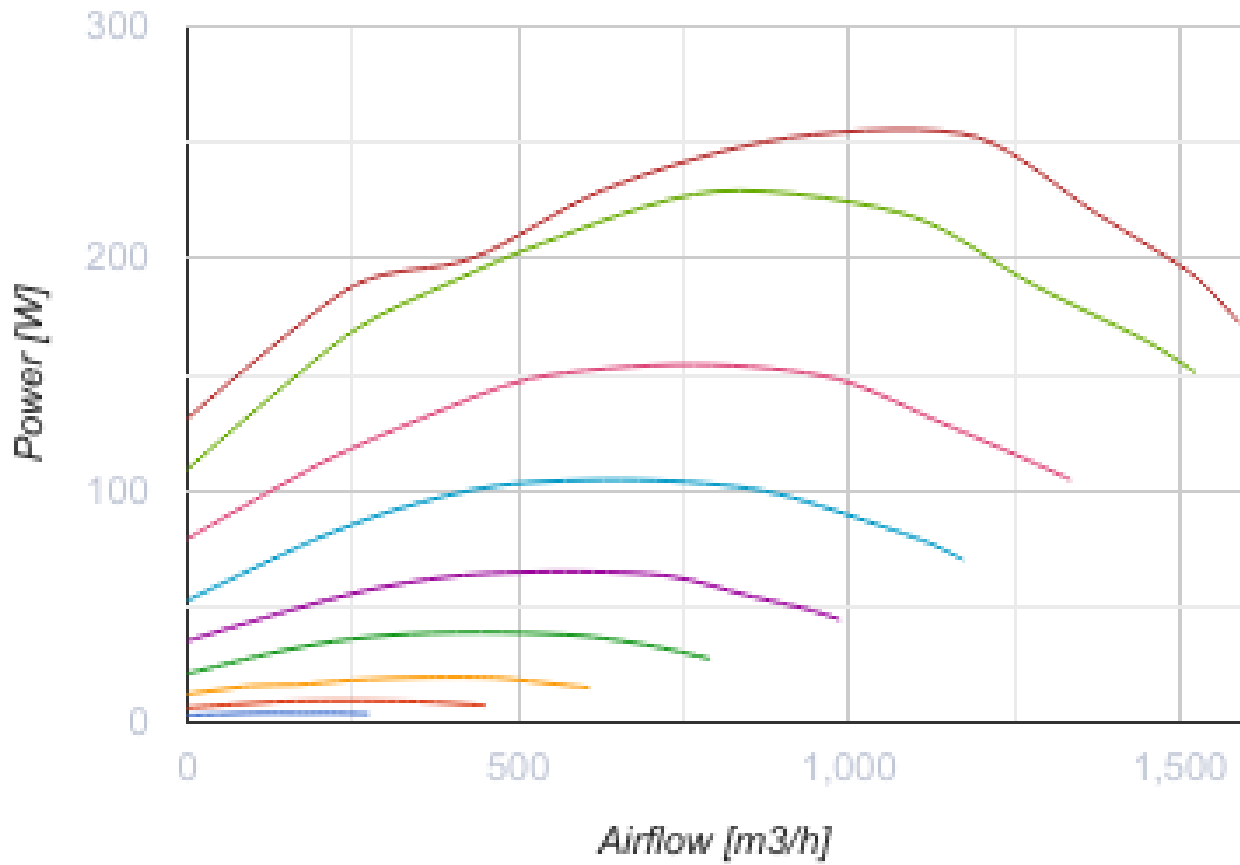
Centrifugal fans in sound-insulated casing with EC motor



- Maximum airflow: 1590
- Sound pressure level LpA at 3 m: 34
- Sound insulation
- Motor type: EC
- Impeller type: Centrifugal backward curved blades
- Casing material: Galvanized steel
- Installation in any position

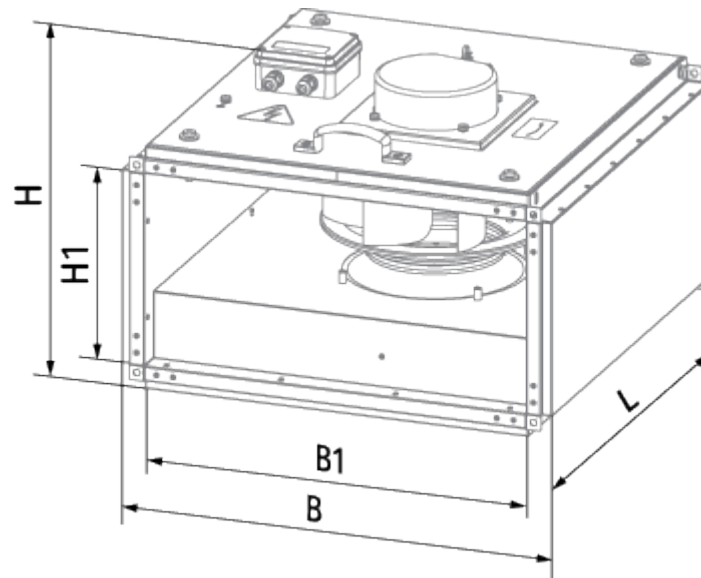
	Unit of measurement	Box-I EC 50x25-1
Connected air duct size	mm	500x250
Speed	-	1
Minimum supply voltage	V	230
Maximum supply voltage	V	230
Power supply frequency	Hz	50/60
Rated power	W	252
Unit current	A	1.85
Maximum airflow	m <sup>3</sup> /h	1590
Sound pressure level LpA at 3 m	dB(A)	34
Weight	kg	25.5
Transported air temperature (max)	°C	50
Transported air temperature (min)	°C	-25
Ingress protection rating	-	IPX4
Ingress protection rating of the drive	-	IP54





## Dimensions

B	B1	H	H1	L
564	500	373	250	560




## Ecodesign

Trademark	Blauberg
Model	Box-I EC 50x25-1
Type of ventilation unit	Unidirectional
Type of drive installed	Integrated VSD
Type of heat recovery system	None
Nominal flow rate (m <sup>3</sup> /s)	0.213
Nominal external pressure (Pa)	330
Maximum external leakage rates (%)	2.7
Static efficiency (%)	53.1
Declared typology	NRVU UVU
Sound power level (dB(A))	54
Effective electric power input (kW)	0.154

## Accessories

### Other accessories

Name	Photo	Description
<a href="#">CDT E/0-10</a>		Speed control for EC motors