

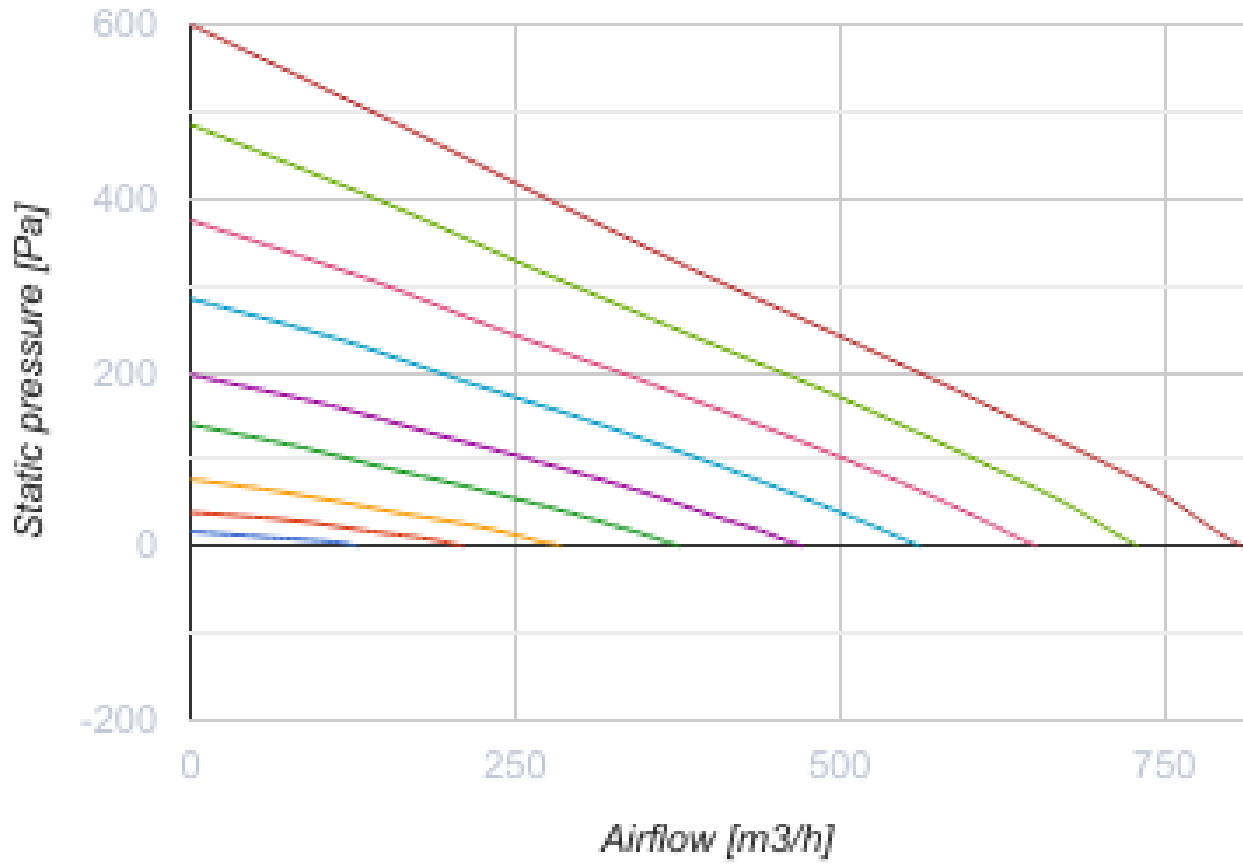
# Box-I EC 40x20-1

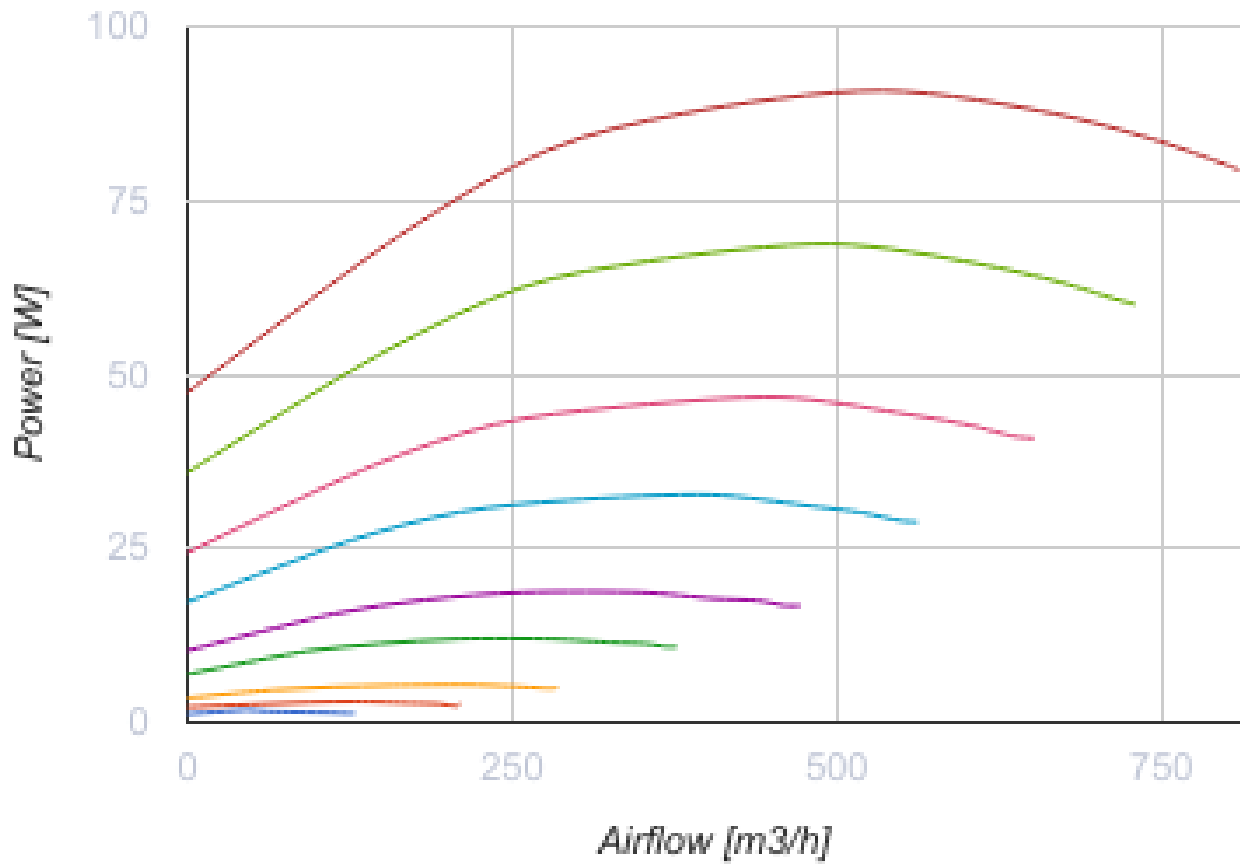
Centrifugal fans in sound-insulated casing with EC motor



- Maximum airflow: 810
- Sound pressure level LpA at 3 m: 33
- Sound insulation
- Motor type: EC
- Impeller type: Centrifugal backward curved blades
- Casing material: Galvanized steel
- Installation in any position

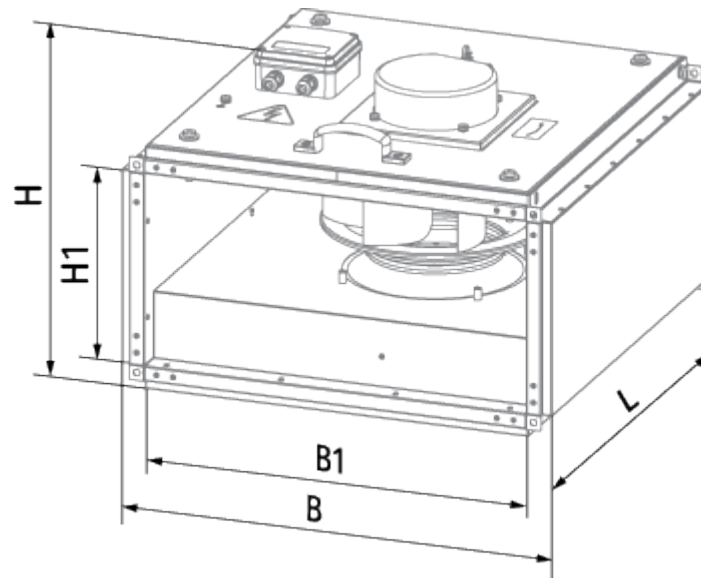
	Unit of measurement	Box-I EC 40x20-1
Connected air duct size	mm	400x200
Speed	-	1
Minimum supply voltage	V	230
Maximum supply voltage	V	230
Power supply frequency	Hz	50/60
Rated power	W	91
Unit current	A	0.69
Maximum airflow	m <sup>3</sup> /h	810
Sound pressure level LpA at 3 m	dB(A)	33
Weight	kg	15.1
Transported air temperature (max)	°C	50
Transported air temperature (min)	°C	-25
Ingress protection rating	-	IPX4
Ingress protection rating of the drive	-	IP55



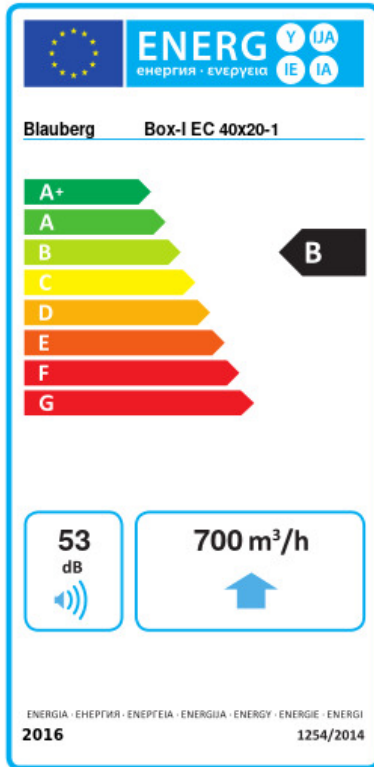


## Dimensions

B	B1	H	H1	L
464	400	322	200	460



## Ecodesign



Trademark	Blaubeerg			
Model	Box-I EC 40x20-1			
Specific energy consumption (SEC) (kWh/(m <sup>2</sup> /a))	Cold		Average	
	-54.5	A+	-27.5	B
Type of ventilation unit	Unidirectional			
Type of drive installed	Variable speed			
Type of heat recovery system	None			
Maximum flow rate (m <sup>3</sup> /h)	700			
Electric power input (W)	84			
Reference flow rate (m <sup>3</sup> /s)	0.136			
Reference pressure difference (Pa)	50			
Specific power input (SPI) (W/(m <sup>3</sup> /h))	0.063			
Control typology	Local demand control			
Maximum external leakage rates (%)	2.7			
Declared typology	RVU UVU			
Sound power level (dB(A))	53			
The annual electricity consumption (AEC) (kWh/a)	Cold	Average	Warm	
	33	33	33	
The annual heating saved (AHS) (kWh/a)	Cold	Average	Warm	
	5536	2830	1280	

## Accessories

### Other accessories

Name	Photo	Description
<a href="#">CDT E/0-10</a>		Speed control for EC motors