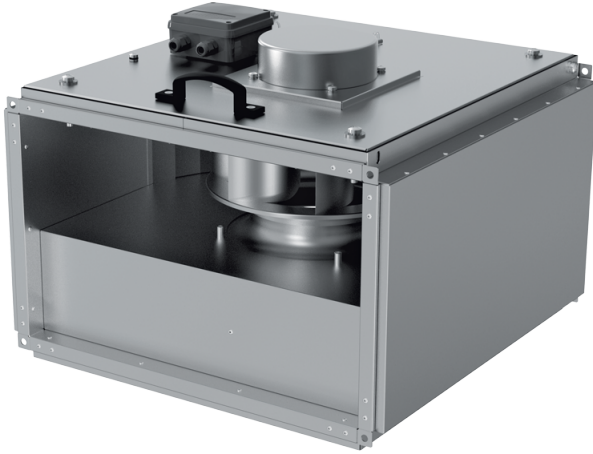


# Box-I EC 30x15-1 max

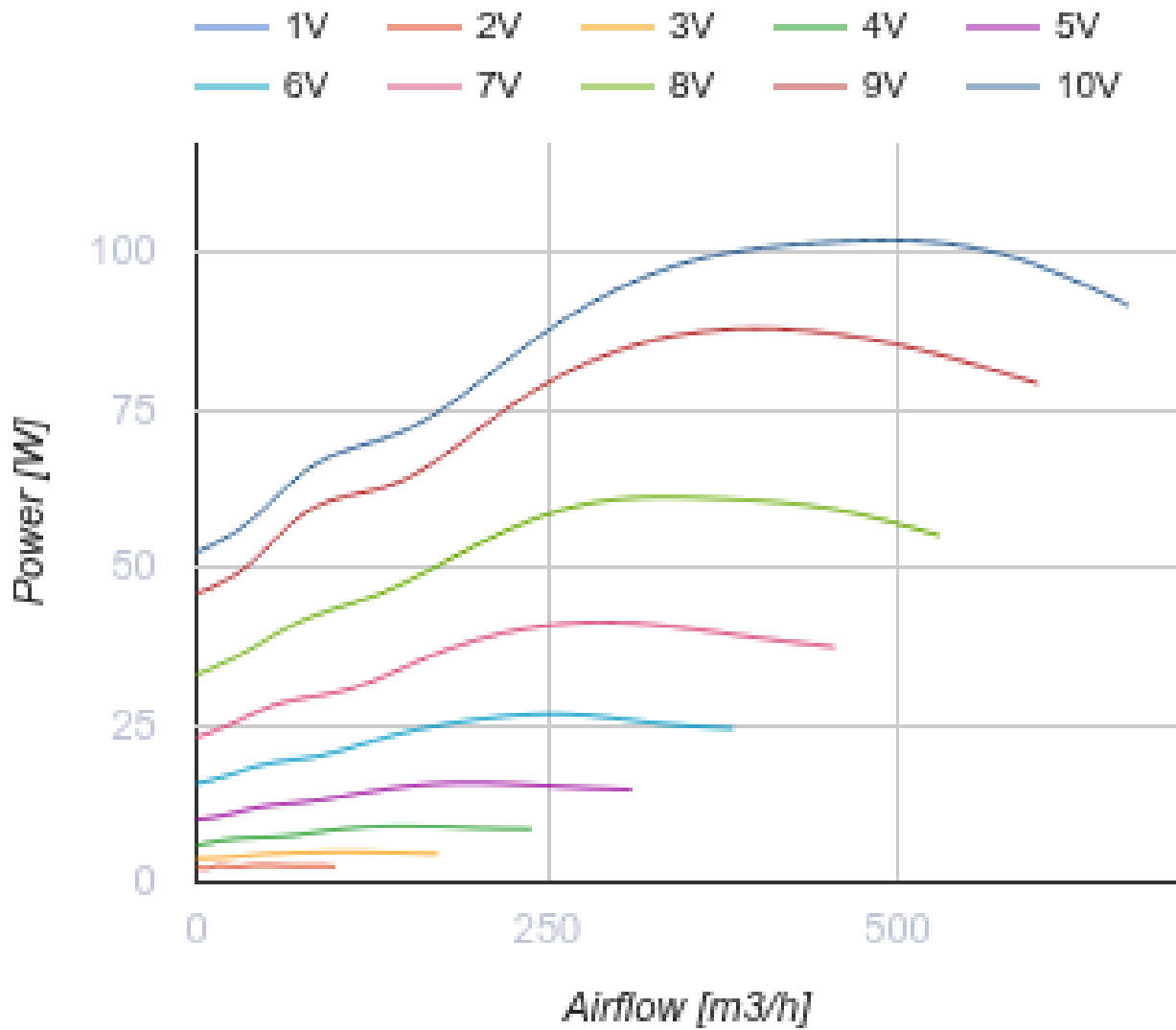
Centrifugal inline fans with backward curved blades in sound-insulated casings with EC-motors

- Sound pressure level LpA at 3 m: 30
- Sound-insulated casing
- Impeller type: Centrifugal impeller with backward curved blades
- Casing material: Galvanized steel
- Installation in any position



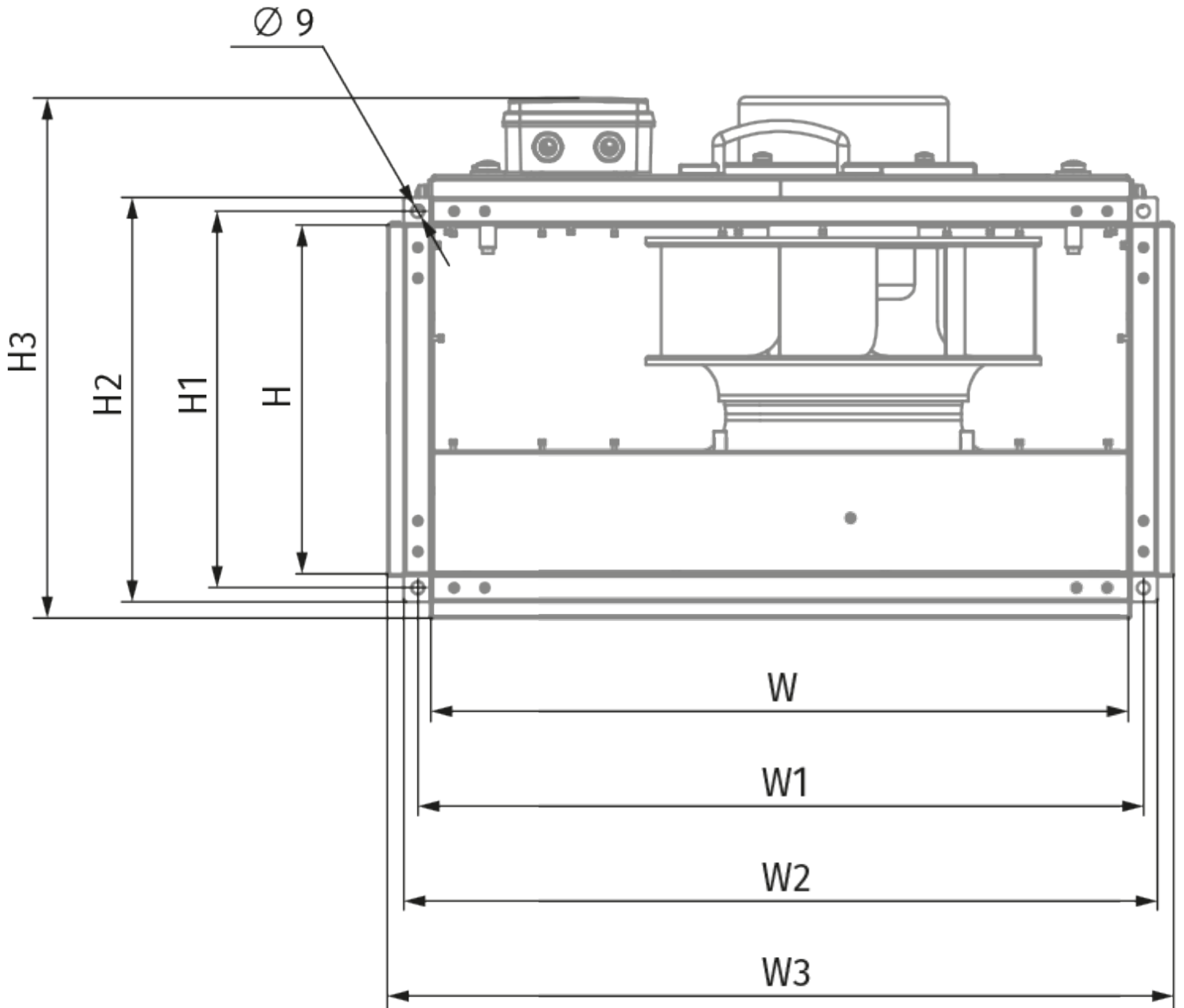
	Unit of measurement	Box-I EC 30x15-1 max
Connected air duct size	mm	300x150
Phases	-	1
Minimum supply voltage	V	230
Maximum supply voltage	V	230
Power supply frequency	Hz	50/60
Rated power	W	101
Unit current	A	0.8
Maximum airflow	m <sup>3</sup> /h	665
Rotation speed at 50hz	-	3500
Sound pressure level LpA at 3 m	dB(A)	30
Weight	kg	10.3
Transported air temperature (max)	°C	50
Transported air temperature (min)	°C	-25
Ingress protection rating	-	IPX4
Ingress protection rating of the drive	-	IP54
Impeller material	-	Plastic
Article	-	8061882

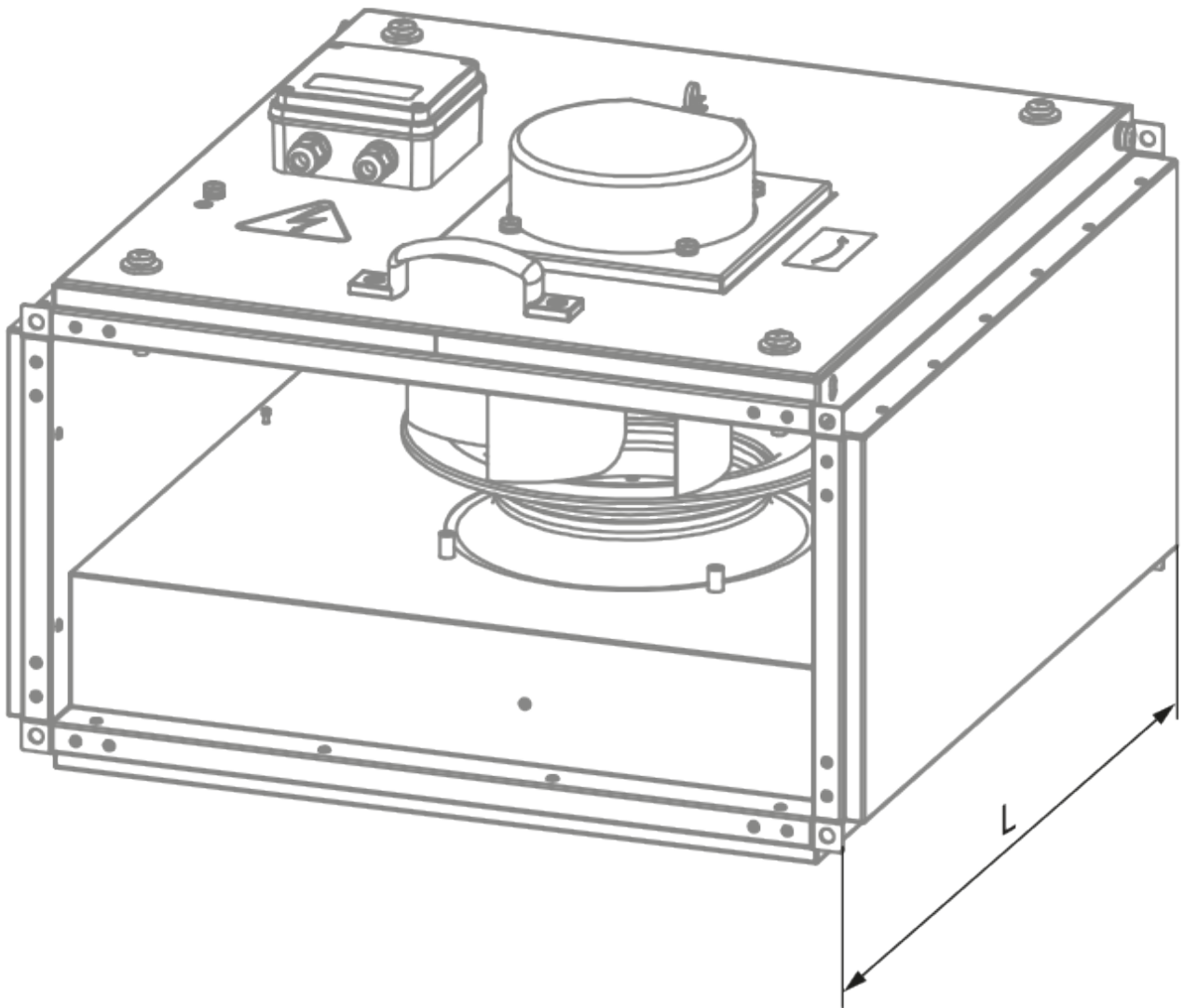




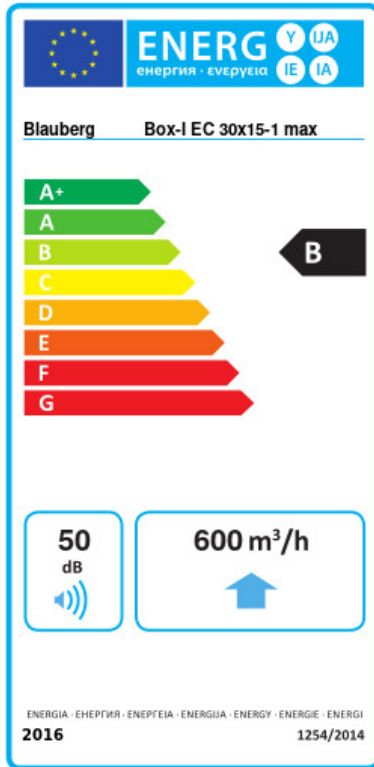
## Dimensions

H	H1	H2	H3	L	W	W1	W3	W4
150	170	190	271	370	300	320	340	364






## Ecodesign



Trademark	Blaubeerg					
Model	Box-I EC 30x15-1 max					
Specific energy consumption (SEC) (kWh/(m²/a))	Cold		Average		Warm	
	-54.1	A+	-27.1	B	-11.6	E
Type of ventilation unit	Unidirectional					
Type of drive installed	Variable speed					
Type of heat recovery system	None					
Maximum flow rate (m³/h)	600					
Electric power input (W)	99					
Reference flow rate (m³/s)	0.117					
Reference pressure difference (Pa)	50					
Specific power input (SPI) (W/(m³/h))	0.092					
Control typology	Local demand control					
Maximum external leakage rates (%)	2.7					
Sound power level (dB(A))	50					
Declared typology	RVU UVU					
The annual electricity consumption (AEC) (kWh/a)	Cold		Average		Warm	
	49		49		49	
The annual heating saved (AHS) (kWh/a)	Cold		Average		Warm	
	5536		2830		1280	

## Accessories

### Other accessories

Name	Photo	Description
<a href="#">CDT E/0-10</a>		Speed control for EC motors