

## Box-I EC 30x15-1

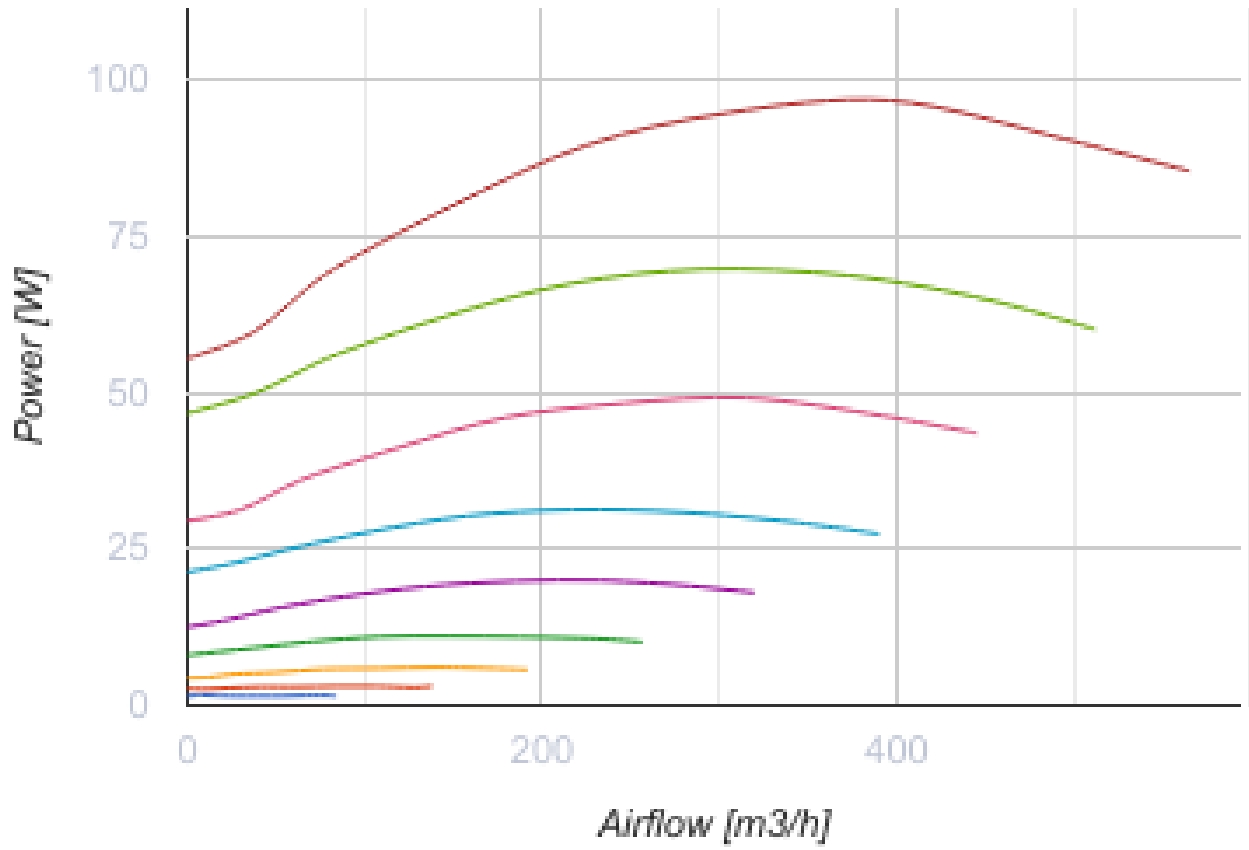
Centrifugal fans in sound-insulated casing with EC motor



- Maximum airflow: 565
- Sound pressure level LpA at 3 m: 29
- Sound insulation
- Motor type: EC
- Impeller type: Centrifugal backward curved blades
- Casing material: Galvanized steel
- Installation in any position

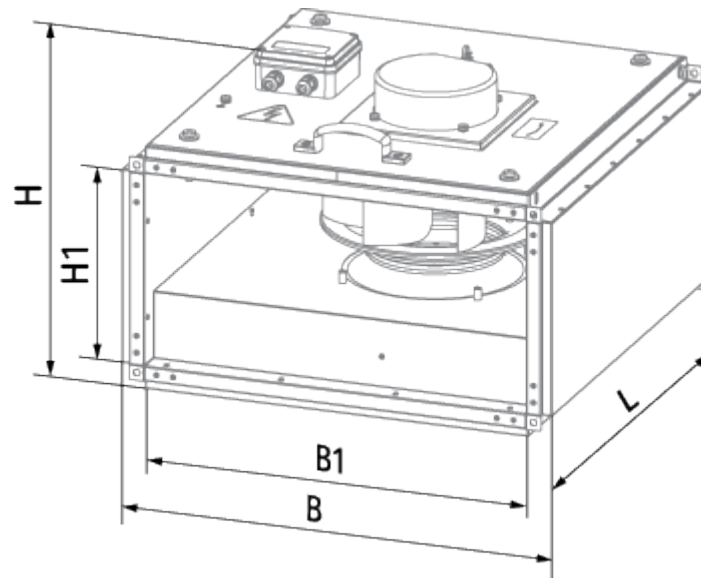
	Unit of measurement	Box-I EC 30x15-1
Connected air duct size	mm	300x150
Speed	-	1
Minimum supply voltage	V	230
Maximum supply voltage	V	230
Power supply frequency	Hz	50/60
Rated power	W	97
Unit current	A	0.73
Maximum airflow	m <sup>3</sup> /h	565
Sound pressure level LpA at 3 m	dB(A)	29
Weight	kg	10.3
Transported air temperature (max)	°C	50
Transported air temperature (min)	°C	-25
Ingress protection rating	-	IPX4
Ingress protection rating of the drive	-	IP55






## Dimensions

B	B1	H	H1	L
364	300	271	150	370



## Accessories

### EC motors regulators

Name	Photo	Description
<a href="#">CDT E/0-10</a>		Speed control for EC motors