

Box-I 60x35 4D (3~ 400 Y)

Centrifugal fans in sound-insulated casing for rectangular ducts

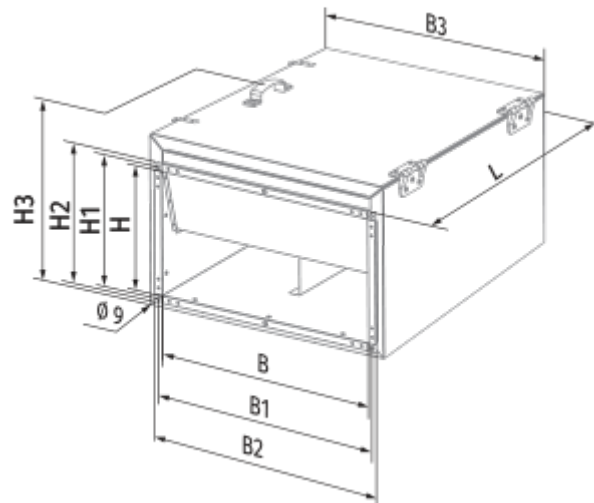


- Maximum airflow: 2660
- Sound pressure level LpA at 3 m: 46
- Sound insulation
- Motor type: AC
- Impeller type: Centrifugal backward curved blades
- Casing material: Galvanized steel
- Installation in any position

	Unit of measurement	Box-I 60x35 4D (3~ 400 Y)
Connected air duct size	mm	600x350
Speed	-	1
Connection type	-	Y
Minimum supply voltage	V	400
Maximum supply voltage	V	400
Power supply frequency	Hz	50/60
Rated power	W	380
Unit current	A	0.7
Maximum airflow	m ³ /h	2660
Sound pressure level LpA at 3 m	dB(A)	46
Weight	kg	56.2
Transported air temperature (max)	°C	80
Transported air temperature (min)	°C	-30
Ingress protection rating	-	IPX4
Ingress protection rating of the drive	-	IP44


Dimensions

B	B1	B2	B3	H	H1	H2	H3	L
600	620	640	700	350	370	390	530	735



Accessories

Other accessories

Name	Photo	Description
CDT E1.8		Thyristor speed controller