

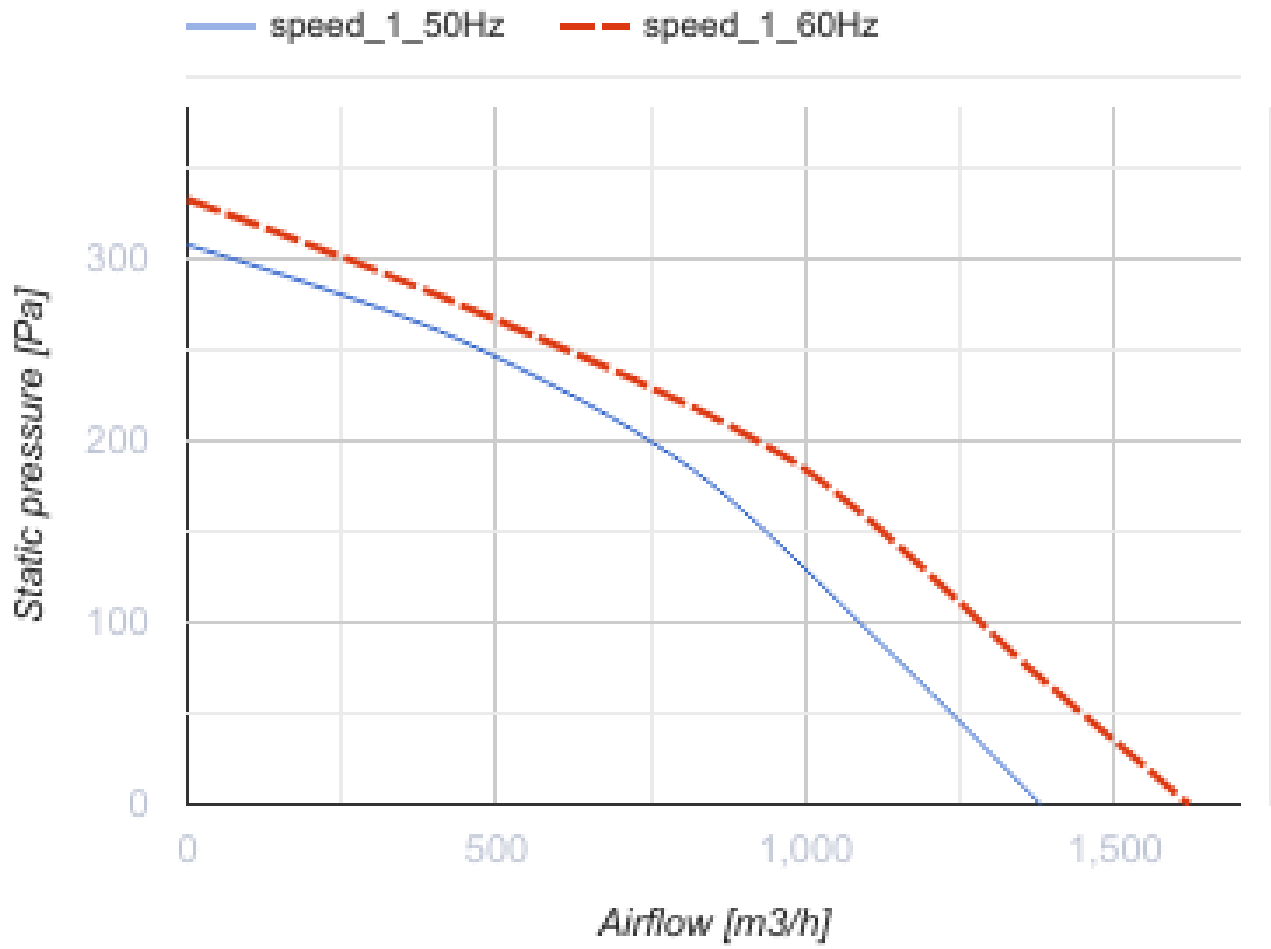
Box-I 50x30 4D

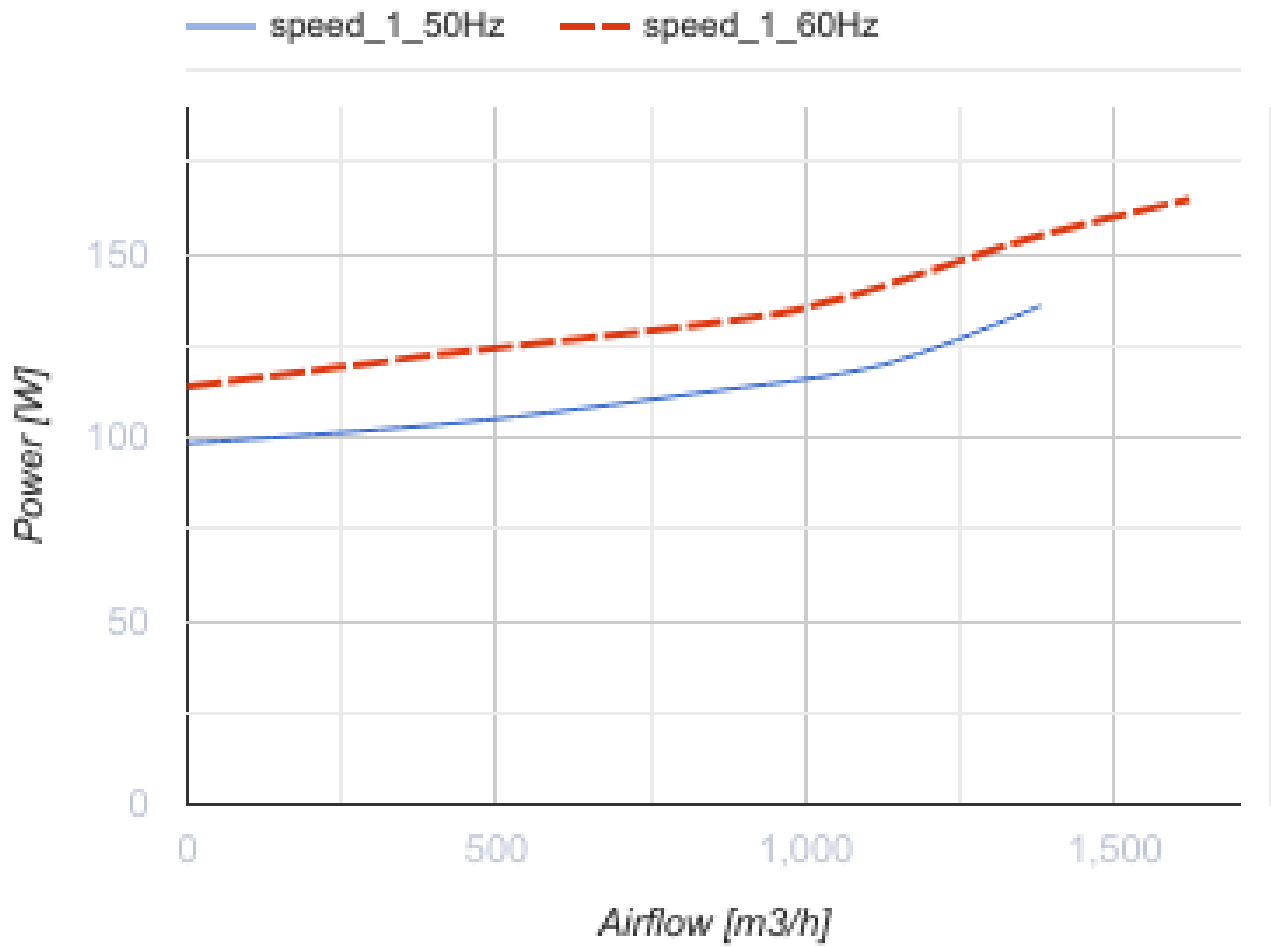
Centrifugal inline fans with backward curved blades in sound-insulated casings



- Maximum airflow: 1380
- Sound pressure level LpA at 3 m: 47
- Sound insulation
- Motor type: AC
- Impeller type: Centrifugal backward curved blades
- Casing material: Galvanized steel
- Installation in any position

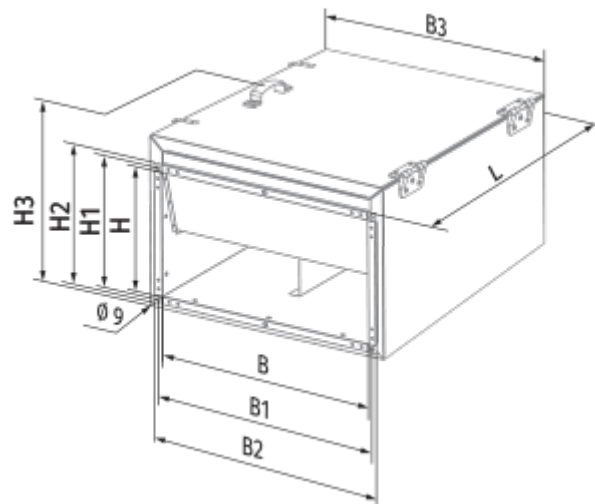
	Unit of measurement	Box-I 50x30 4D
Connected air duct size	mm	500x300
Speed	-	1
Minimum supply voltage	V	400
Maximum supply voltage	V	400
Power supply frequency	Hz	50/60
Rated power	W	136
Unit current	A	0.34
Maximum airflow	m ³ /h	1380
Sound pressure level LpA at 3 m	dB(A)	47
Weight	kg	37.2
Transported air temperature (max)	°C	65
Transported air temperature (min)	°C	-25
Ingress protection rating	-	IPX4
Ingress protection rating of the drive	-	IP44





Dimensions

B	B1	B2	B3	H	H1	H2	H3	L
500	520	540	600	300	320	340	460	680




Ecodesign

Trademark	Blauberg
Model	Box-I 50x30 4D
Type of ventilation unit	Unidirectional
Type of drive installed	External MSD or VSD
Type of heat recovery system	None
Nominal flow rate (m ³ /s)	0.227
Nominal external pressure (Pa)	184
Maximum external leakage rates (%)	2.7
Static efficiency (%)	38.3
Declared typology	NRVU UVU
Sound power level (dB(A))	65
Effective electric power input (kW)	0.111

Accessories

Other accessories

Name	Photo	Description
CDT E1.8		Thyristor speed controller