

Box-I 40x20 2E

Centrifugal fans in sound-insulated casing for rectangular ducts

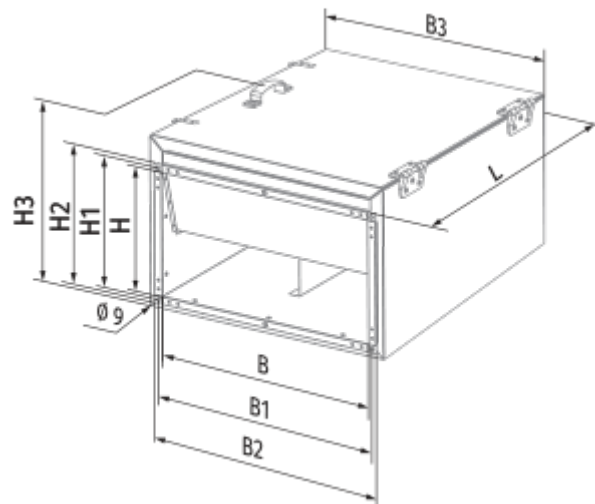


- Maximum airflow: 930
- Sound pressure level LpA at 3 m: 45
- Sound insulation
- Motor type: AC
- Impeller type: Centrifugal backward curved blades
- Casing material: Galvanized steel
- Installation in any position

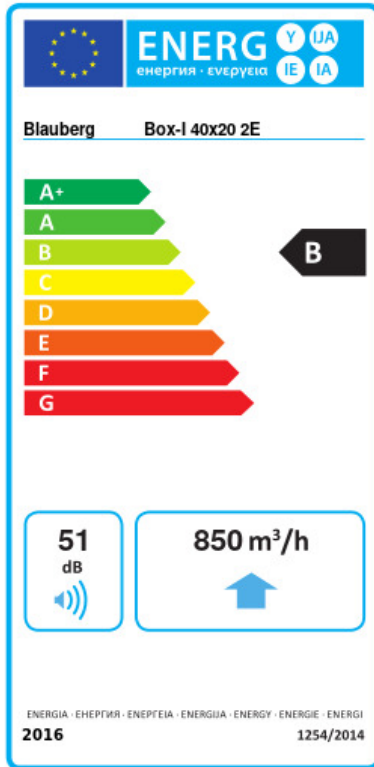
	Unit of measurement	Box-I 40x20 2E
Connected air duct size	mm	400x200
Speed	-	1
Minimum supply voltage	V	220
Maximum supply voltage	V	240
Power supply frequency	Hz	50/60
Rated power	W	138
Unit current	A	0.6
Maximum airflow	m ³ /h	930
Sound pressure level LpA at 3 m	dB(A)	45
Weight	kg	24.5
Transported air temperature (max)	°C	45
Transported air temperature (min)	°C	-25
Ingress protection rating	-	IPX4
Ingress protection rating of the drive	-	IP44

Dimensions

B	B1	B2	B3	H	H1	H2	H3	L
400	420	440	500	200	220	240	360	500



Ecodesign



Trademark	Blaubeerg					
Model	Box-I 40x20 2E					
Specific energy consumption (SEC) (kWh/(m ² /a))	Cold		Average		Warm	
	-53.7	A+	-26.6	B	-11.1	E
Type of ventilation unit	Unidirectional					
Type of drive installed	Multi-speed					
Type of heat recovery system	None					
Maximum flow rate (m ³ /h)	850					
Electric power input (W)	138					
Reference flow rate (m ³ /s)	0.165					
Reference pressure difference (Pa)	50					
Specific power input (SPI) (W/(m ³ /h))	0.128					
Control typology	Local demand control					
Maximum external leakage rates (%)	2.7					
Declared typology	RVU UVU					
Sound power level (dB(A))	51					
The annual electricity consumption (AEC) (kWh/a)	Cold		Average		Warm	
	68		68		68	
The annual heating saved (AHS) (kWh/a)	Cold		Average		Warm	
	5536		2830		1280	

Accessories

Thyristor speed controllers

Name	Photo	Description
CDT E1.8		Thyristor speed controller