

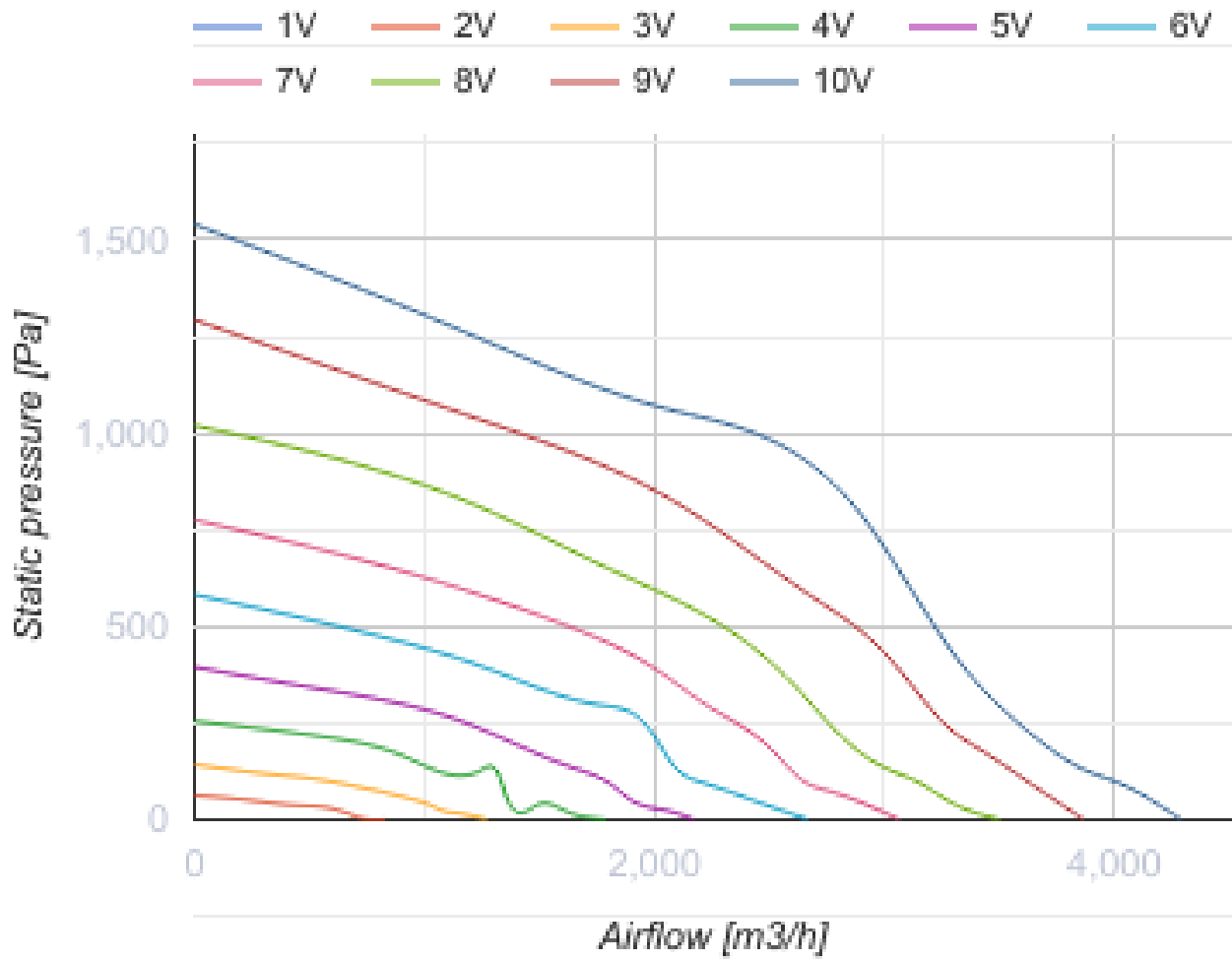


Box EC 60x35-3 max

Centrifugal fans with EC motor for rectangular ducts

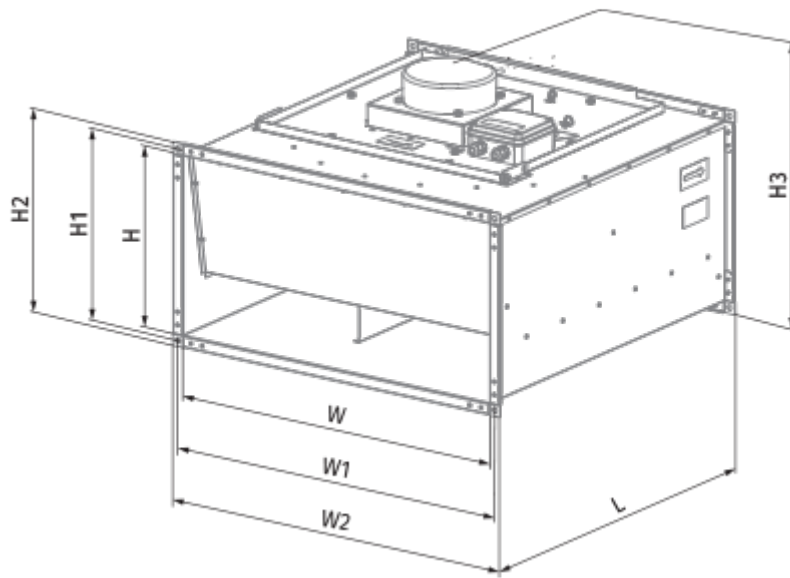
- Maximum airflow: 4290
- Sound pressure level LpA at 3 m: 55
- Motor type: EC
- Impeller type: Centrifugal backward curved blades
- Casing material: Galvanized steel
- Installation in any position

	Unit of measurement	Box EC 60x35-3 max
Connected air duct size	mm	600x350
Speed	-	1
Minimum supply voltage	V	400
Maximum supply voltage	V	400
Power supply frequency	Hz	50/60
Rated power	W	1308
Unit current	A	2.35
Maximum airflow	m ³ /h	4290
Sound pressure level LpA at 3 m	dB(A)	55
Weight	kg	36
Transported air temperature (max)	°C	50
Transported air temperature (min)	°C	-25
Ingress protection rating	-	IPX4
Ingress protection rating of the drive	-	IP54



Dimensions

H	H1	H2	H3	L	W	W1	W2
350	370	390	512	650	600	620	640



Ecodesign

Trademark	Blauberg
Model	Box EC 60x35-3 max
Type of ventilation unit	Unidirectional
Type of drive installed	Integrated VSD
Type of heat recovery system	None
Nominal flow rate (m ³ /s)	0.807
Nominal external pressure (Pa)	783
Maximum external leakage rates (%)	2.7
Static efficiency (%)	53.3
Declared typology	NRVU UVU
Sound power level (dB(A))	75
Effective electric power input (kW)	1.308

Accessories

EC motors regulators

Name	Photo	Description
CDT E/0-10		Speed control for EC motors