

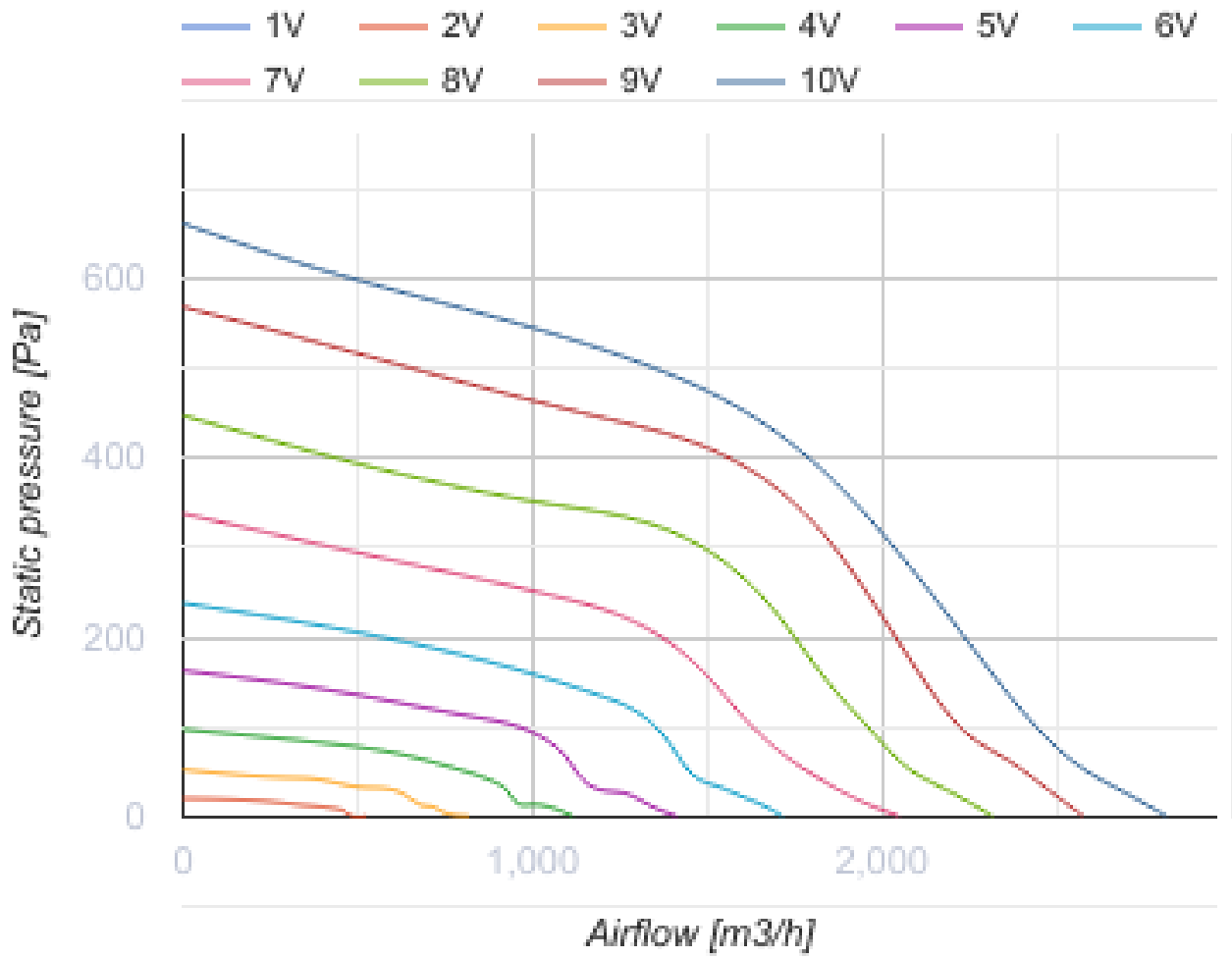


## Box EC 60x35-1

Centrifugal fans with EC motor for rectangular ducts

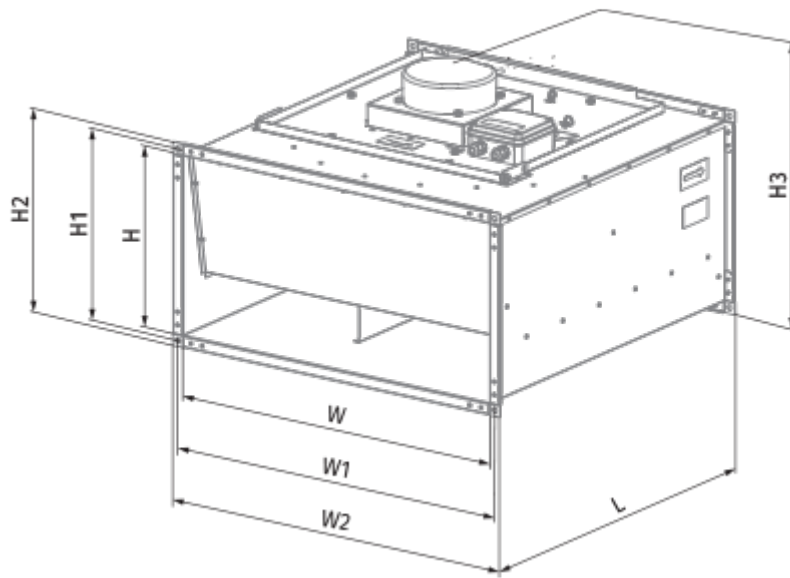
- Maximum airflow: 2815
- Sound pressure level LpA at 3 m: 49
- Motor type: EC
- Impeller type: Centrifugal backward curved blades
- Casing material: Galvanized steel
- Installation in any position

	Unit of measurement	Box EC 60x35-1
Connected air duct size	mm	600x350
Speed	-	1
Minimum supply voltage	V	230
Maximum supply voltage	V	230
Power supply frequency	Hz	50/60
Rated power	W	361
Unit current	A	2.62
Maximum airflow	m <sup>3</sup> /h	2815
Sound pressure level LpA at 3 m	dB(A)	49
Weight	kg	25.2
Transported air temperature (max)	°C	50
Transported air temperature (min)	°C	-25
Ingress protection rating	-	IPX4
Ingress protection rating of the drive	-	IP54



## Dimensions

H	H1	H2	H3	L	W	W1	W2
350	370	390	457	650	600	620	640




## Ecodesign

Trademark	Blauberg
Model	Box EC 60x35-1
Type of ventilation unit	Unidirectional
Type of drive installed	Integrated VSD
Type of heat recovery system	None
Nominal flow rate (m <sup>3</sup> /s)	0.335
Nominal external pressure (Pa)	445
Maximum external leakage rates (%)	2.7
Static efficiency (%)	65.3
Declared typology	NRVU UVU
Sound power level (dB(A))	69
Effective electric power input (kW)	0.263

## Accessories

### EC motors regulators

Name	Photo	Description
<a href="#">CDT E/0-10</a>		Speed control for EC motors