

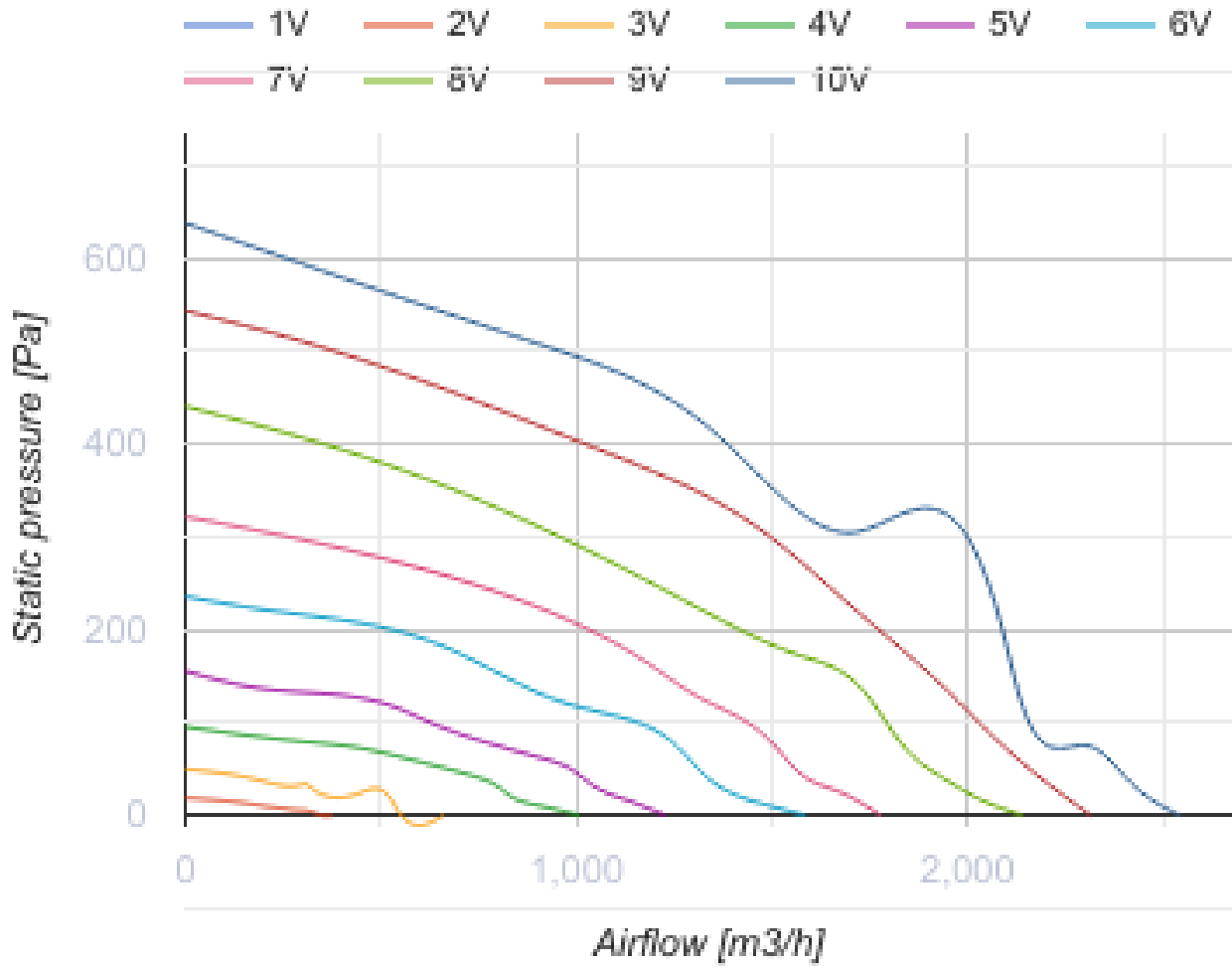


Box EC 60x30-1

Centrifugal fans with EC motor for rectangular ducts

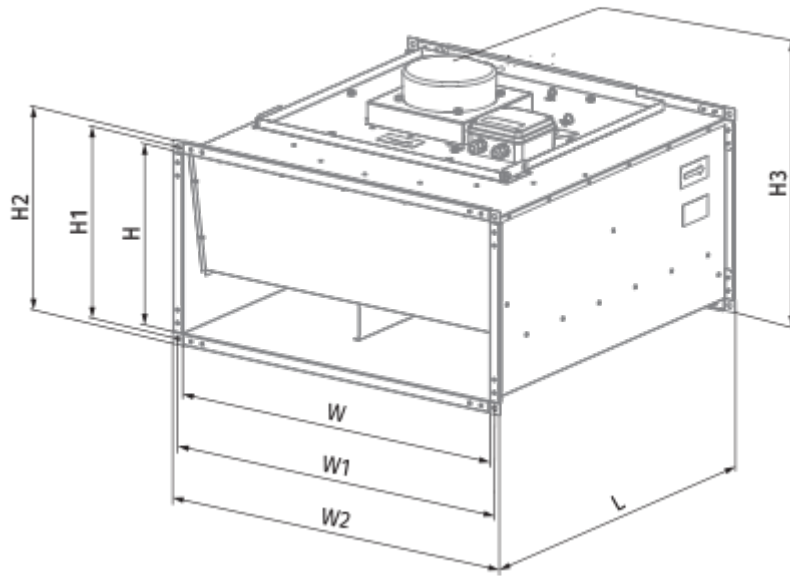
- Maximum airflow: 2545
- Sound pressure level LpA at 3 m: 48
- Motor type: EC
- Impeller type: Centrifugal backward curved blades
- Casing material: Galvanized steel
- Installation in any position

	Unit of measurement	Box EC 60x30-1
Connected air duct size	mm	600x300
Speed	-	1
Minimum supply voltage	V	230
Maximum supply voltage	V	230
Power supply frequency	Hz	50/60
Rated power	W	326
Unit current	A	2.45
Maximum airflow	m ³ /h	2545
Sound pressure level LpA at 3 m	dB(A)	48
Weight	kg	24.1
Transported air temperature (max)	°C	50
Transported air temperature (min)	°C	-25
Ingress protection rating	-	IPX4
Ingress protection rating of the drive	-	IP54



Dimensions

H	H1	H2	H3	L	W	W1	W2
300	320	340	407	650	600	620	640



Ecodesign

Trademark	Blauberg
Model	Box EC 60x30-1
Type of ventilation unit	Unidirectional
Type of drive installed	Integrated VSD
Type of heat recovery system	None
Nominal flow rate (m ³ /s)	0.301
Nominal external pressure (Pa)	390
Maximum external leakage rates (%)	2.7
Static efficiency (%)	54.8
Declared typology	NRVU UVU
Sound power level (dB(A))	68
Effective electric power input (kW)	0.247

Accessories

EC motors regulators

Name	Photo	Description
CDT E/0-10		Speed control for EC motors