

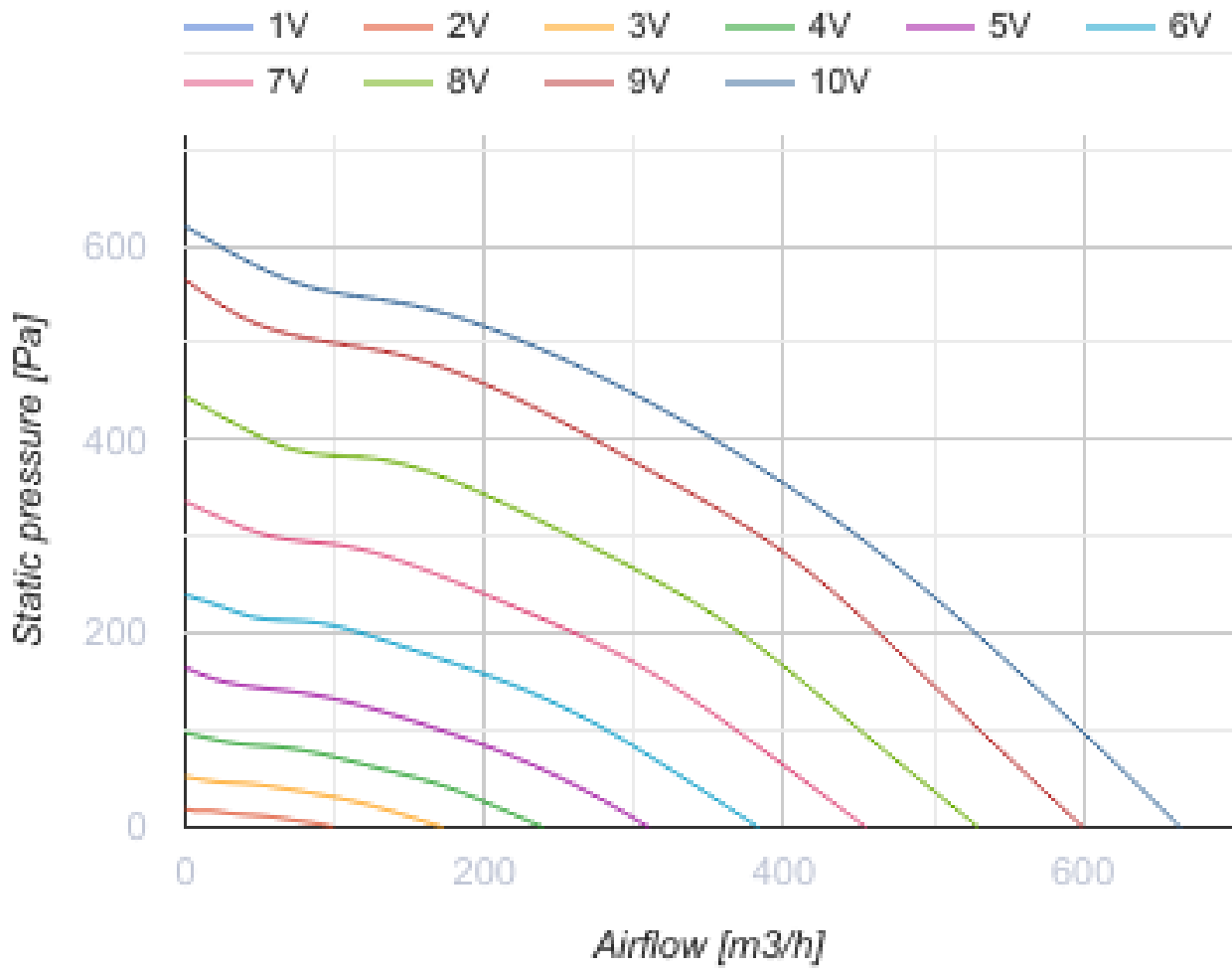


## Box EC 30x15-1 max

Centrifugal fans with EC motor for rectangular ducts

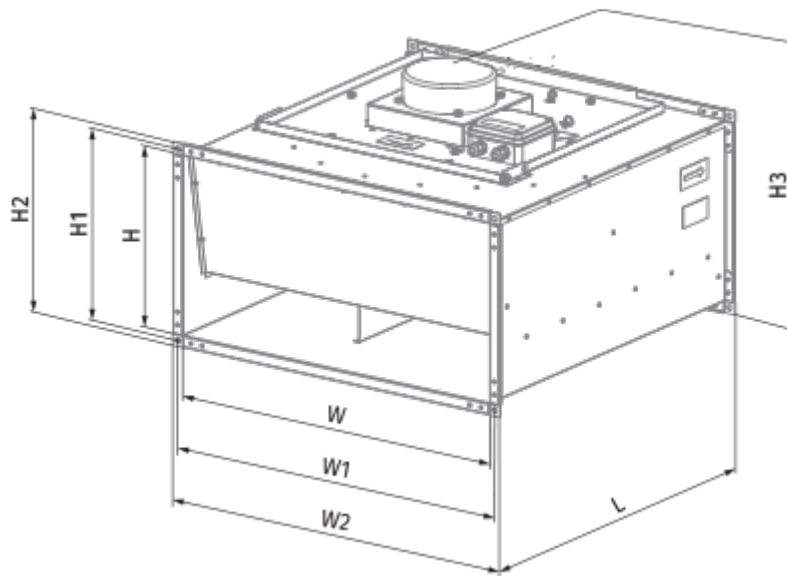
- Maximum airflow: 665
- Sound pressure level LpA at 3 m: 46
- Motor type: EC
- Impeller type: Centrifugal backward curved blades
- Casing material: Galvanized steel
- Installation in any position

	Unit of measurement	Box EC 30x15-1 max
Connected air duct size	mm	300x150
Speed	-	1
Minimum supply voltage	V	230
Maximum supply voltage	V	230
Power supply frequency	Hz	50/60
Rated power	W	101
Unit current	A	0.8
Maximum airflow	m <sup>3</sup> /h	665
Sound pressure level LpA at 3 m	dB(A)	46
Weight	kg	6
Transported air temperature (max)	°C	50
Transported air temperature (min)	°C	-25
Ingress protection rating	-	IPX4
Ingress protection rating of the drive	-	IP54




## Dimensions

H	H1	H2	H3	L	W	W1	W2
150	170	190	228	350	300	320	340



## Accessories

### EC motors regulators

Name	Photo	Description
<a href="#">CDT E/0-10</a>		Speed control for EC motors