

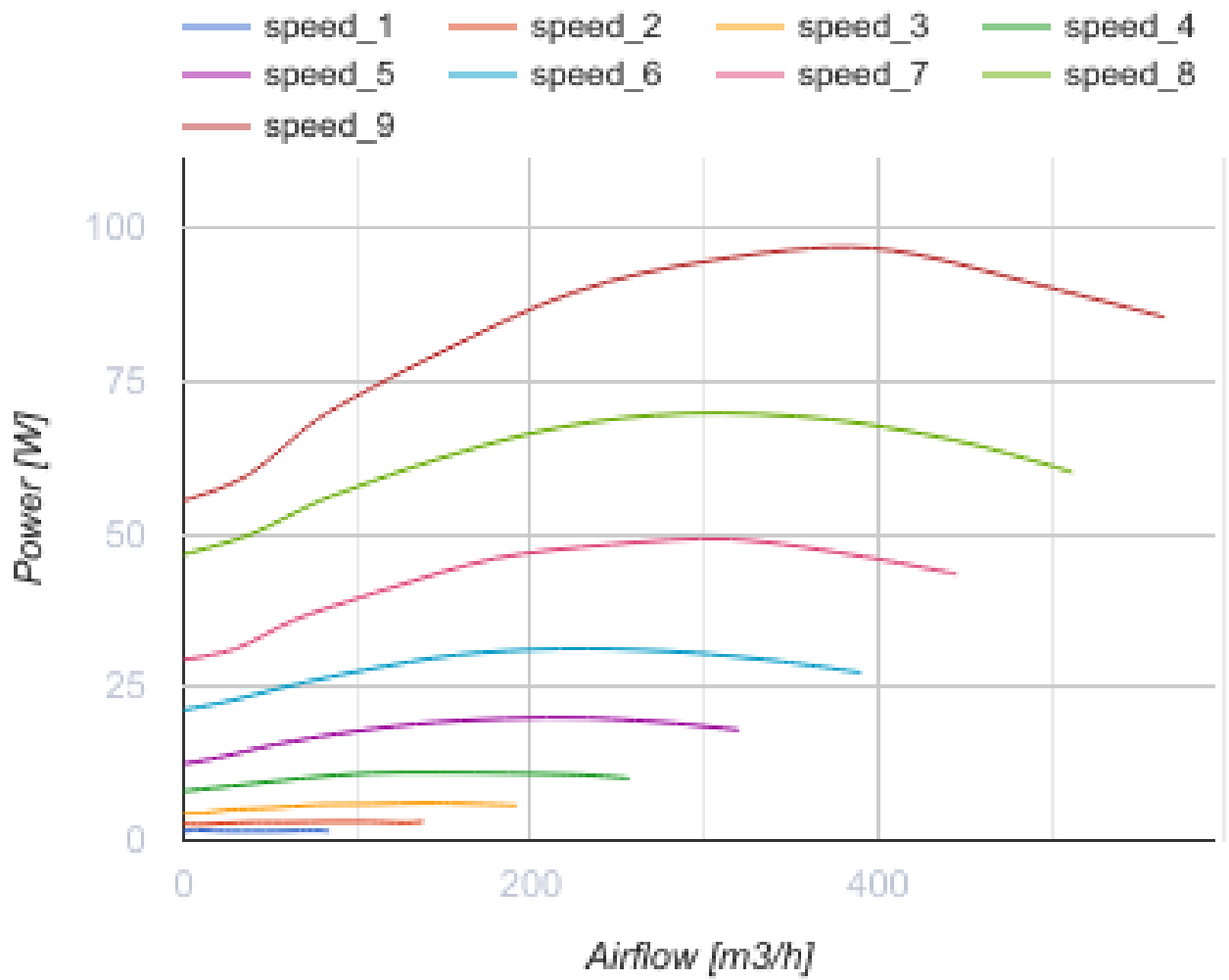


Box EC 30x15-1

Centrifugal fans with EC motor for rectangular ducts

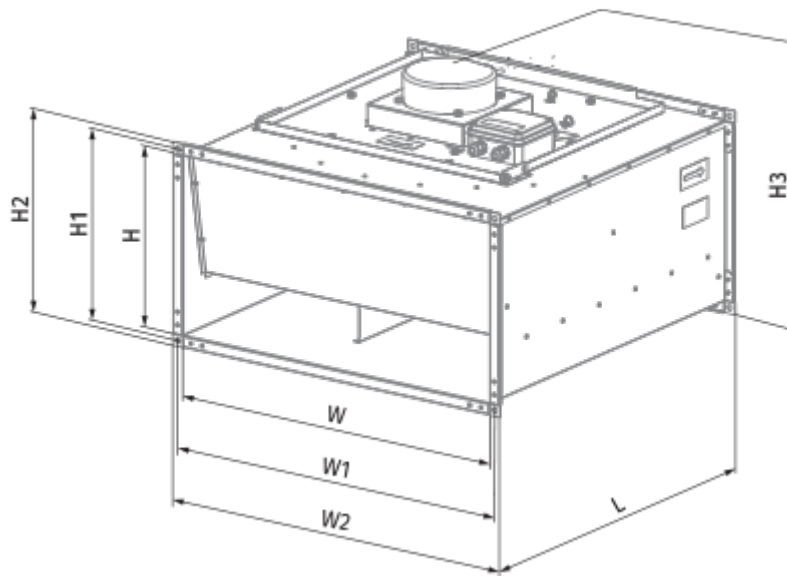
- Maximum airflow: 565
- Sound pressure level LpA at 3 m: 44
- Motor type: EC
- Impeller type: Centrifugal backward curved blades
- Casing material: Galvanized steel
- Installation in any position

	Unit of measurement	Box EC 30x15-1
Connected air duct size	mm	300x150
Speed	-	1
Minimum supply voltage	V	230
Maximum supply voltage	V	230
Power supply frequency	Hz	50/60
Rated power	W	97
Unit current	A	0.73
Maximum airflow	m ³ /h	565
Sound pressure level LpA at 3 m	dB(A)	44
Weight	kg	5.5
Transported air temperature (max)	°C	50
Transported air temperature (min)	°C	-25
Ingress protection rating	-	IPX4
Ingress protection rating of the drive	-	IP55




Dimensions

H	H1	H2	H3	L	W	W1	W2
150	170	190	228	350	300	320	340



Accessories

EC motors regulators

Name	Photo	Description
CDT E/0-10		Speed control for EC motors