

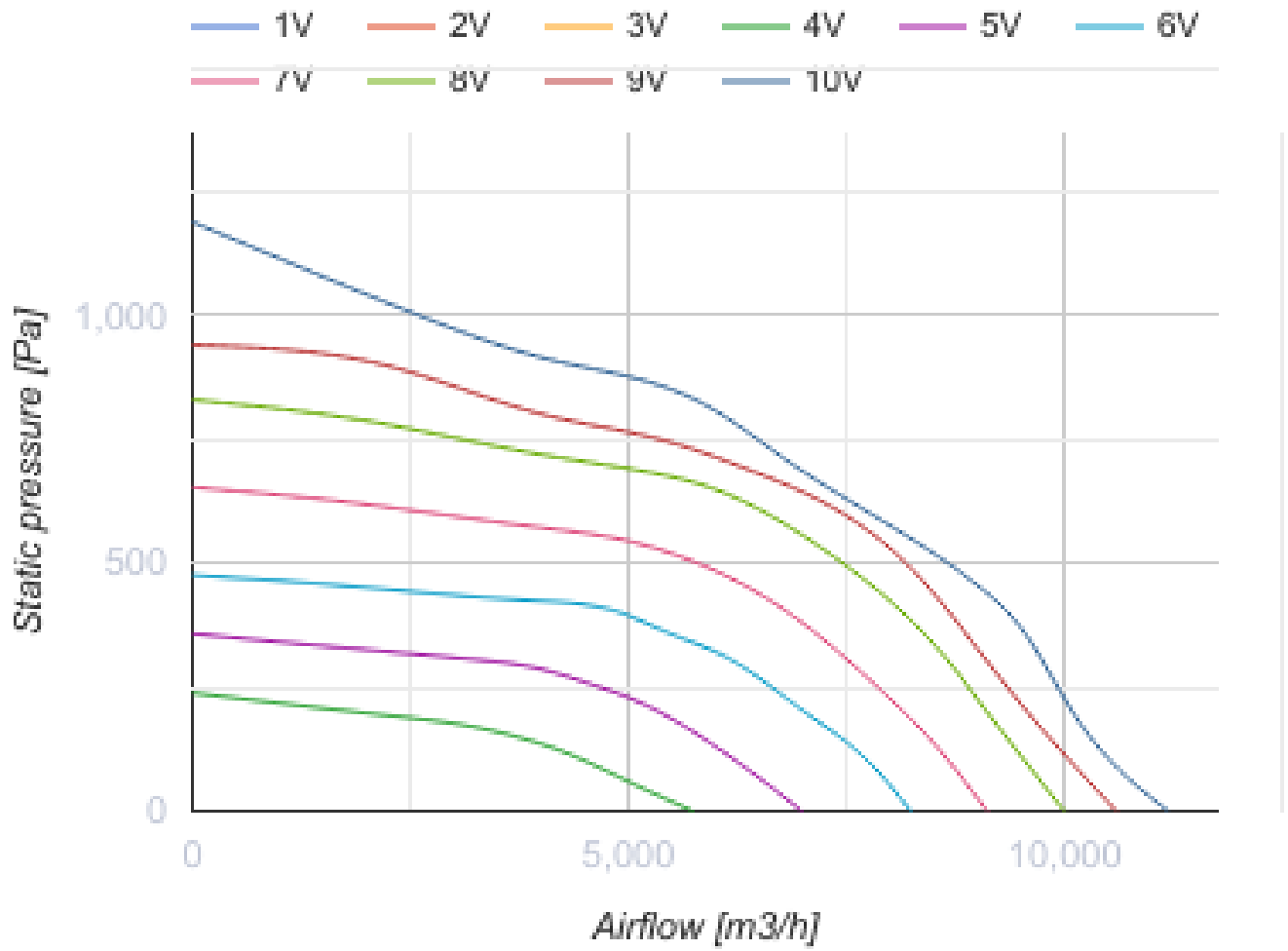


Box EC 100x50-3 max

Centrifugal fans with EC motor for rectangular ducts

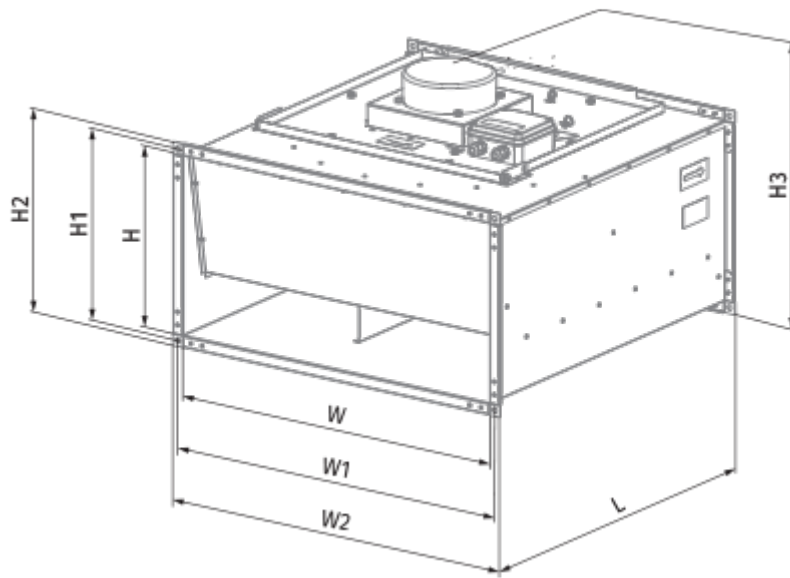
- Maximum airflow: 11190
- Sound pressure level LpA at 3 m: 66
- Motor type: EC
- Impeller type: Centrifugal backward curved blades
- Casing material: Galvanized steel
- Installation in any position

| | Unit of measurement | Box EC 100x50-3 max |
|--|---------------------|---------------------|
| Connected air duct size | mm | 1000x500 |
| Speed | - | 1 |
| Minimum supply voltage | V | 400 |
| Maximum supply voltage | V | 400 |
| Power supply frequency | Hz | 50/60 |
| Rated power | W | 3429 |
| Unit current | A | 5 |
| Maximum airflow | m ³ /h | 11190 |
| Sound pressure level LpA at 3 m | dB(A) | 66 |
| Weight | kg | 77 |
| Transported air temperature (max) | °C | 50 |
| Transported air temperature (min) | °C | -25 |
| Ingress protection rating | - | IPX4 |
| Ingress protection rating of the drive | - | IP54 |



Dimensions

| H | H1 | H2 | H3 | L | W | W1 | W2 |
|-----|-----|-----|-----|-----|------|------|------|
| 500 | 520 | 540 | 656 | 950 | 1000 | 1020 | 1040 |




Ecodesign

| | |
|---------------------------------------|---------------------|
| Trademark | Blauberg |
| Model | Box EC 100x50-3 max |
| Type of ventilation unit | Unidirectional |
| Type of drive installed | Integrated VSD |
| Type of heat recovery system | None |
| Nominal flow rate (m ³ /s) | 1.509 |
| Nominal external pressure (Pa) | 362 |
| Maximum external leakage rates (%) | 2.7 |
| Static efficiency (%) | 62.3 |
| Declared typology | NRVU UVU |
| Sound power level (dB(A)) | 86 |
| Effective electric power input (kW) | 0.974 |

Accessories

EC motors regulators

| Name | Photo | Description |
|----------------------------|---|-----------------------------|
| CDT E/0-10 |  | Speed control for EC motors |