

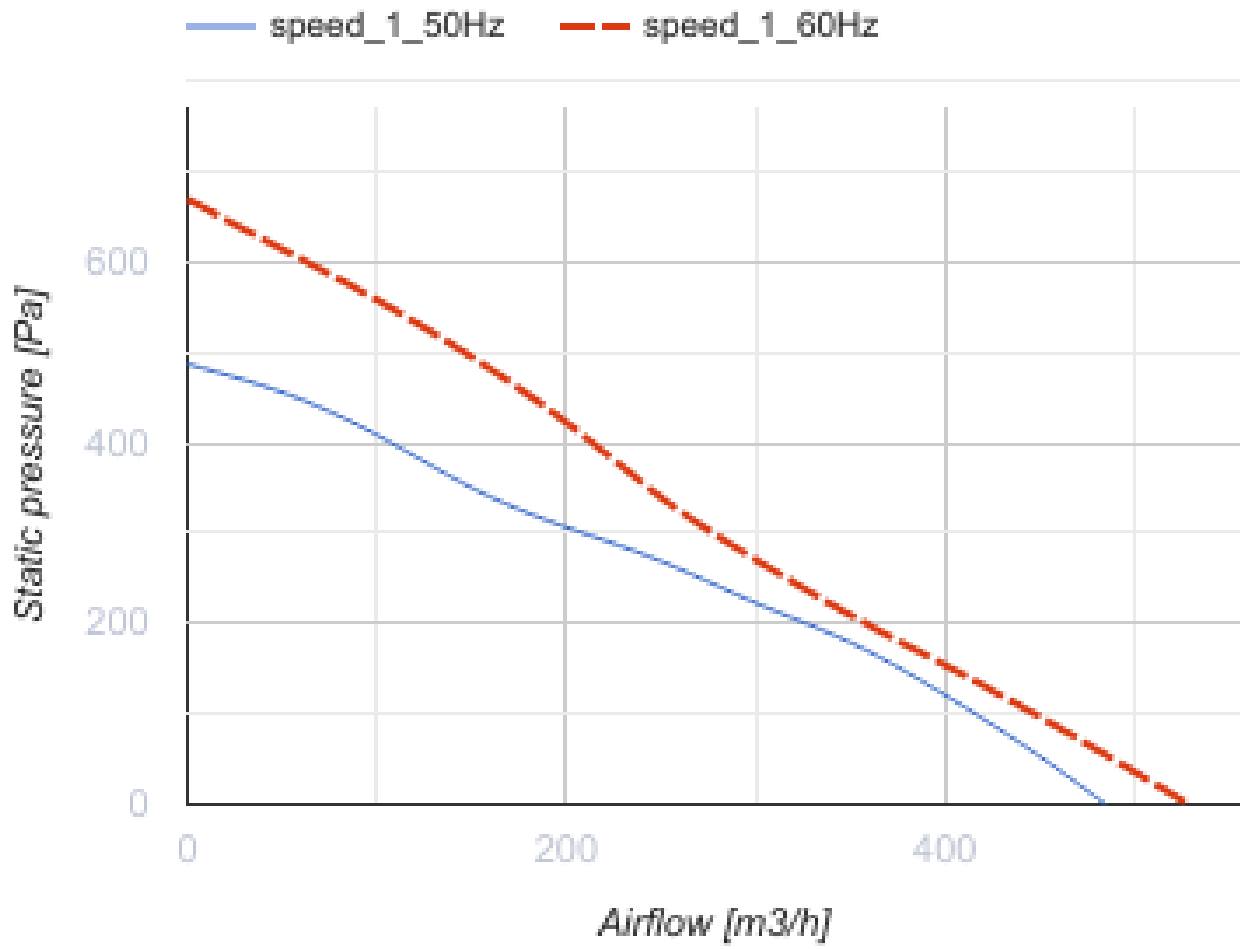


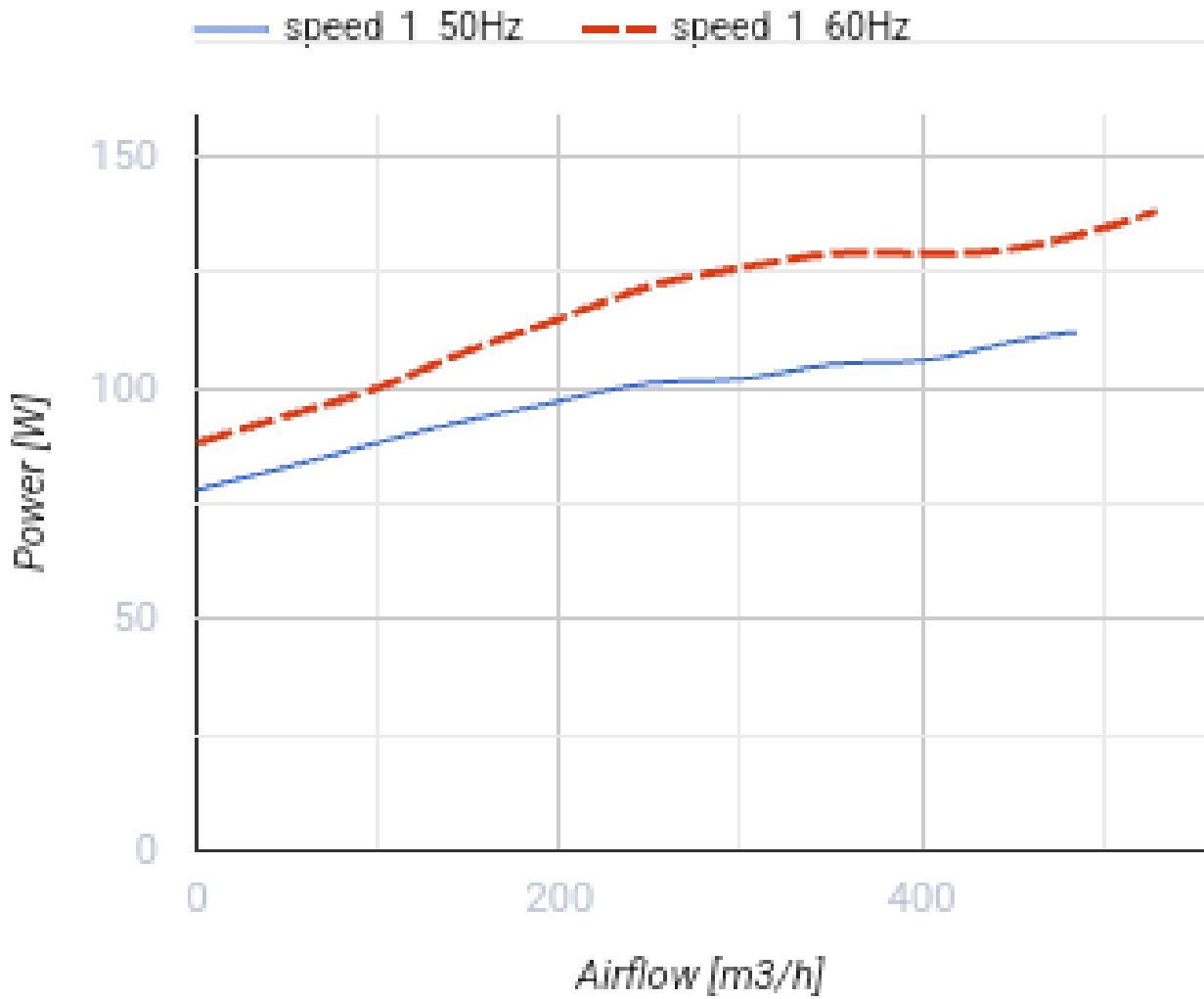
## Box-D 150

Centrifugal ceiling fans in metal casings with plastic front panels

- Maximum airflow: 485
- Sound pressure level LpA at 3 m: 52
- Motor type: AC
- Impeller type: Centrifugal backward curved blades
- Casing material: Galvanized steel
- Backdraft protection: Backdraft damper

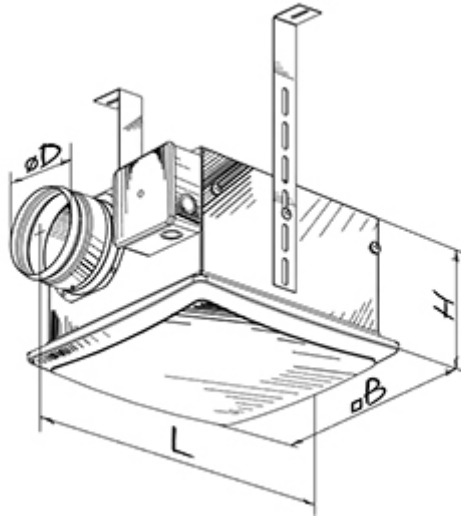
	Unit of measurement	Box-D 150
Connected air duct size	mm	150
Speed	-	1
Minimum supply voltage	V	230
Maximum supply voltage	V	230
Power supply frequency	Hz	50/60
Rated power	W	112
Unit current	A	0.5
Maximum airflow	m <sup>3</sup> /h	485
Sound pressure level LpA at 3 m	dB(A)	52
Weight	kg	6.5
Transported air temperature (max)	°C	50
Transported air temperature (min)	°C	-25
Ingress protection rating	-	IPX4
Ingress protection rating of the drive	-	IP44








### Dimensions

ØD	B	H	L
149	355	180	419



## Accessories

### Other accessories

Name	Photo	Description
<a href="#">TE / TI 1.5</a>		Timers
<a href="#">HSE / HSI 1.5</a>		Sensors
<a href="#">IRSE / IRSI 1.5</a>		Sensors