

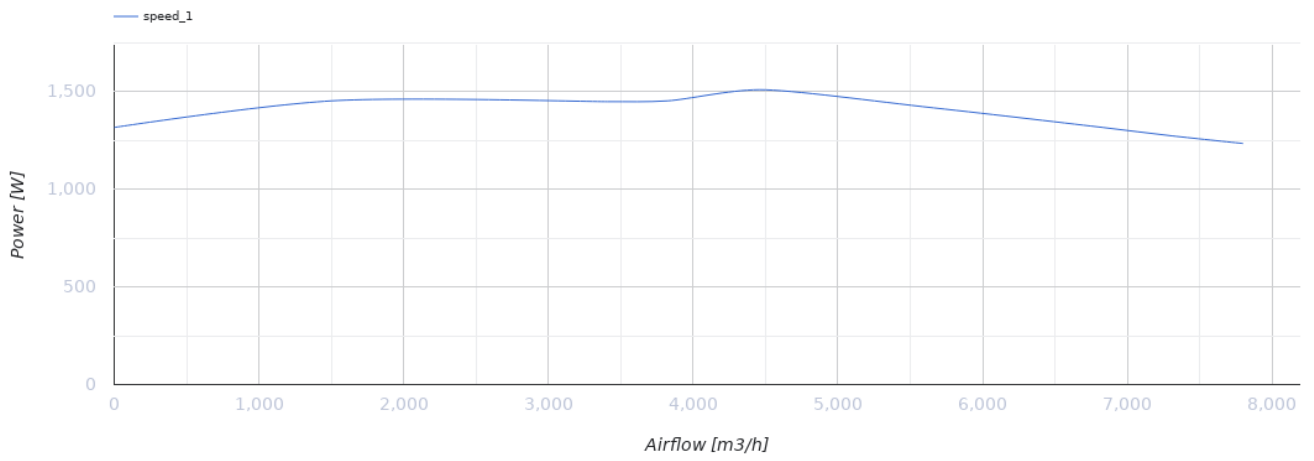
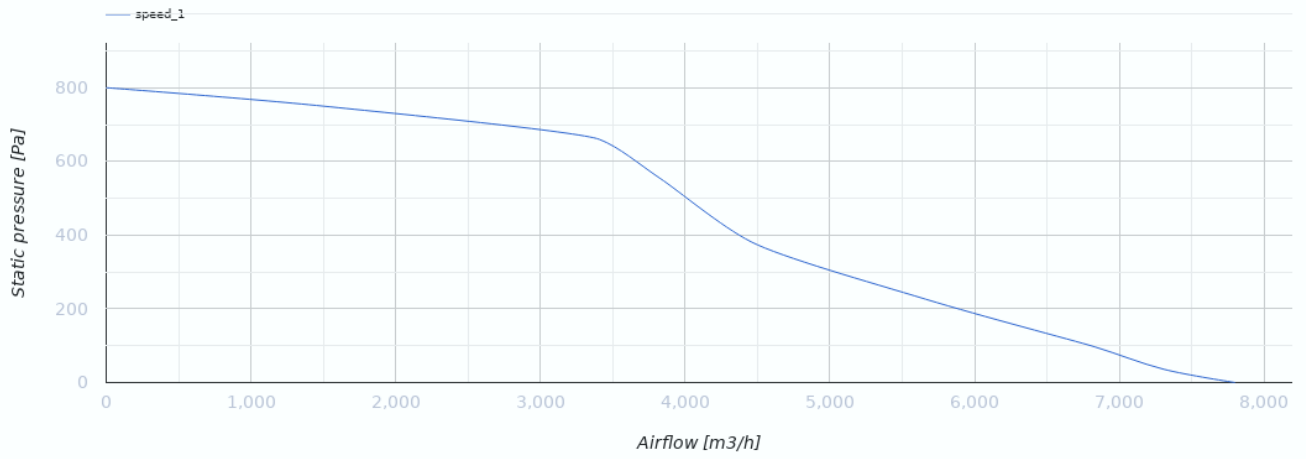


Box 80x50 4D

Centrifugal inline fans with backward curved blades

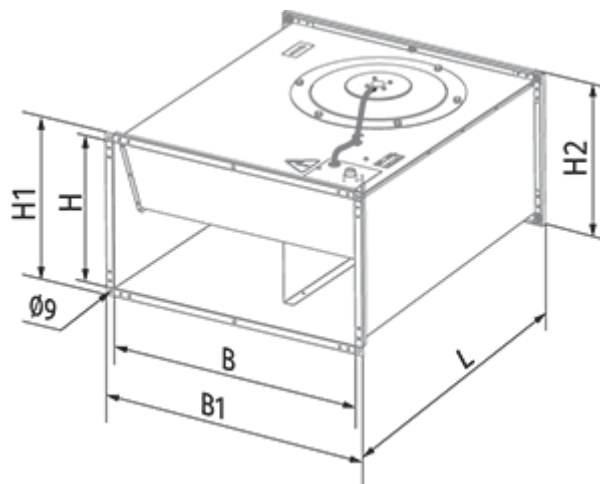
- Sound pressure level LpA at 3 m: 58
- Impeller type: Centrifugal impeller with backward curved blades
- Casing material: Galvanized steel
- Installation in any position

	Unit of measurement	Box 80x50 4D
Connected air duct size	mm	800x500
Phases	-	3
Minimum supply voltage	V	400
Maximum supply voltage	V	400
Power supply frequency	Hz	50
Rated power	W	1508
Unit current	A	2.71
Maximum airflow	m ³ /h	7800
Rotation speed at 50hz	-	1440
Sound pressure level LpA at 3 m	dB(A)	58
Weight	kg	54
Transported air temperature (max)	°C	60
Transported air temperature (min)	°C	-30
Ingress protection rating	-	IPX4
Ingress protection rating of the drive	-	IP44
Impeller material	-	Aluminium
Article	-	8086885



Dimensions

B	B1	H	H1	H2	L
800	840	500	540	540	903



Ecodesign

Trademark	Blauberg
Model	Box 80x50 4D
Type of ventilation unit	Unidirectional
Type of drive installed	External MSD or VSD
Type of heat recovery system	None
Nominal external pressure (Pa)	655
Maximum external leakage rates (%)	2.7
Static efficiency (%)	45.1
Declared typology	NRVU UVU
Effective electric power input (kW)	1.451
Sound power level (dB(A))	82