

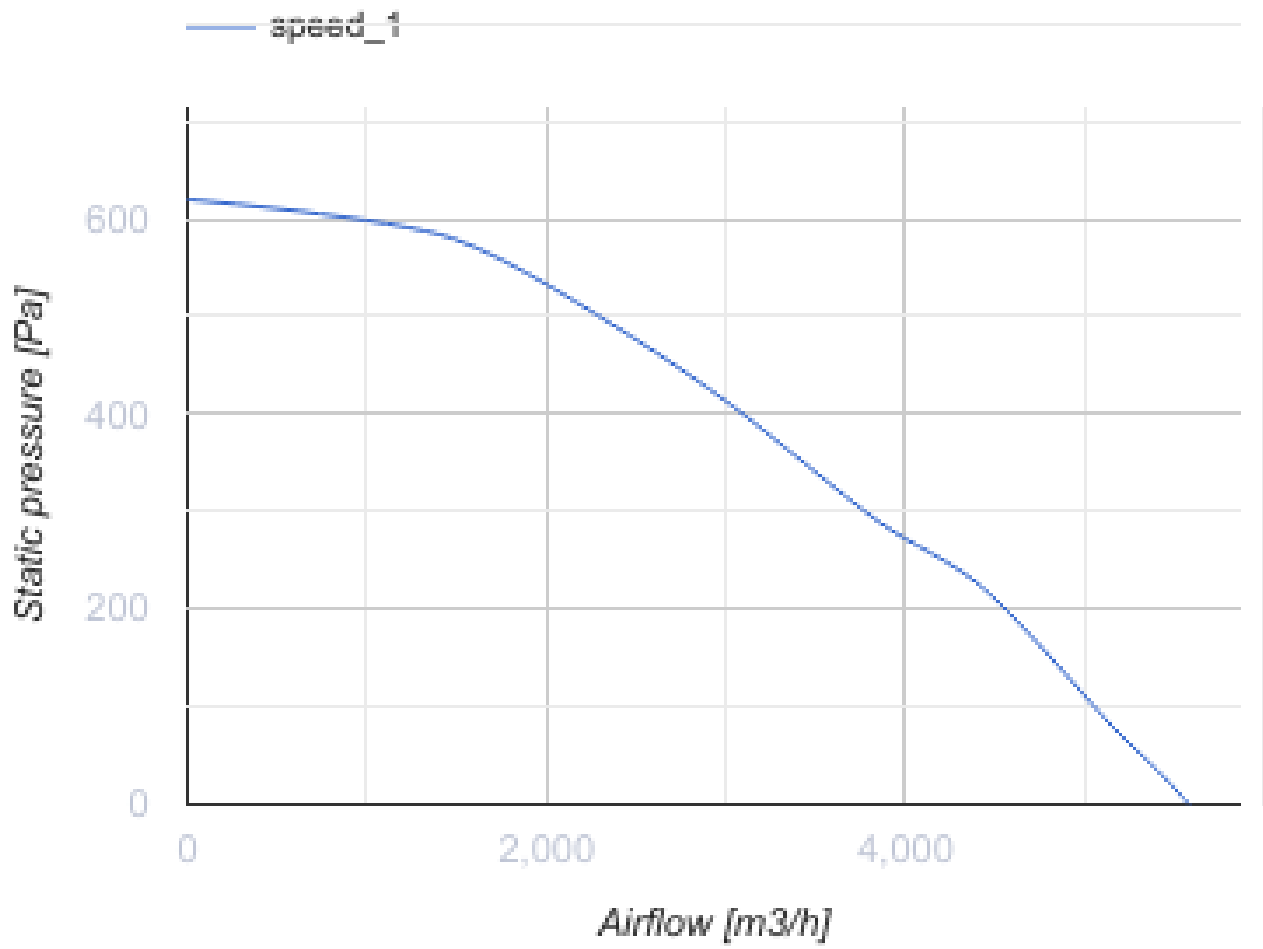


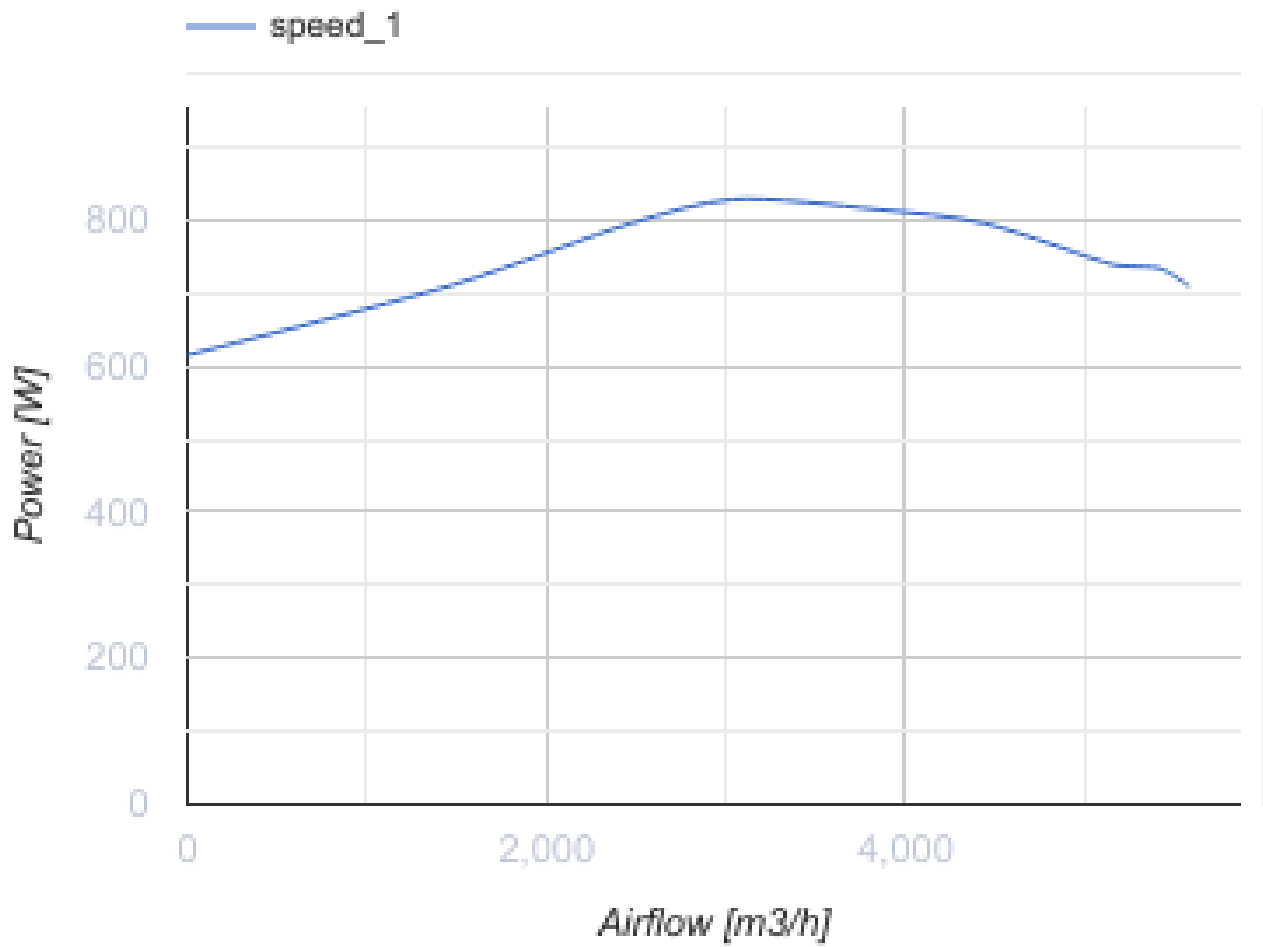
Box 70x40 4D

Centrifugal inline fans with backward curved blades

- Maximum airflow: 5580
- Sound pressure level LpA at 3 m: 57
- Motor type: AC
- Impeller type: Centrifugal backward curved blades
- Casing material: Galvanized steel
- Installation in any position

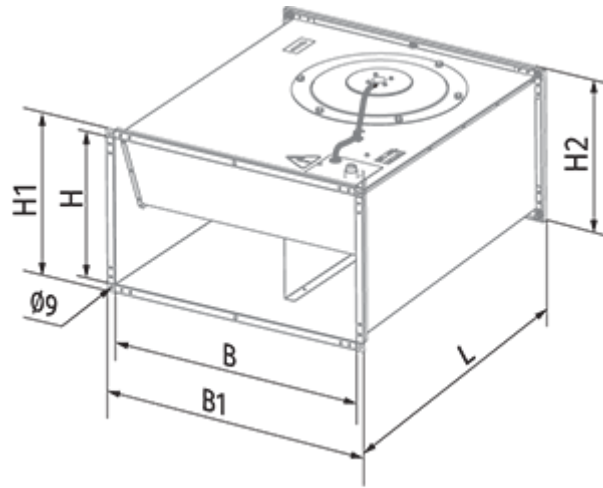
	Unit of measurement	Box 70x40 4D
Connected air duct size	mm	700x400
Minimum supply voltage	V	400
Maximum supply voltage	V	400
Power supply frequency	Hz	50
Rated power	W	828
Unit current	A	1.62
Maximum airflow	m ³ /h	5580
Sound pressure level LpA at 3 m	dB(A)	57
Weight	kg	41
Transported air temperature (max)	°C	60
Transported air temperature (min)	°C	-30
Ingress protection rating	-	IPX4
Ingress protection rating of the drive	-	IP44





Dimensions

B	B1	H	H1	H2	L
700	740	400	440	440	753




Ecodesign

Trademark	Blauberg
Model	Box 70x40 4D
Type of ventilation unit	Unidirectional
Type of drive installed	External MSD or VSD
Type of heat recovery system	None
Nominal flow rate (m ³ /s)	0.844
Nominal external pressure (Pa)	408
Maximum external leakage rates (%)	2.7
Static efficiency (%)	42.5
Declared typology	NRVU UVU
Sound power level (dB(A))	81
Effective electric power input (kW)	0.828

Accessories

Other accessories

Name	Photo	Description
CDT E1.8		Thyristor speed controller