

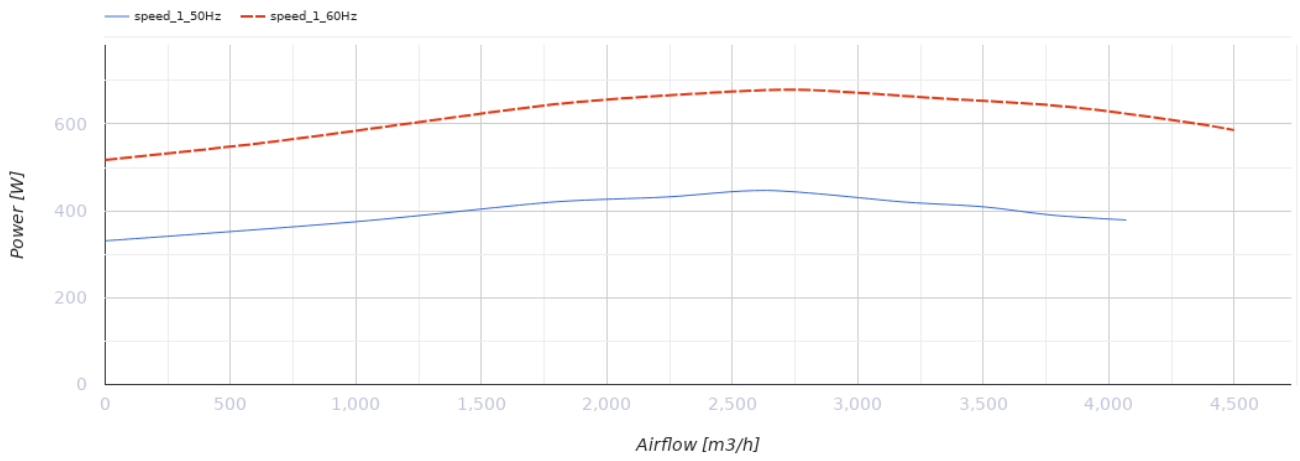
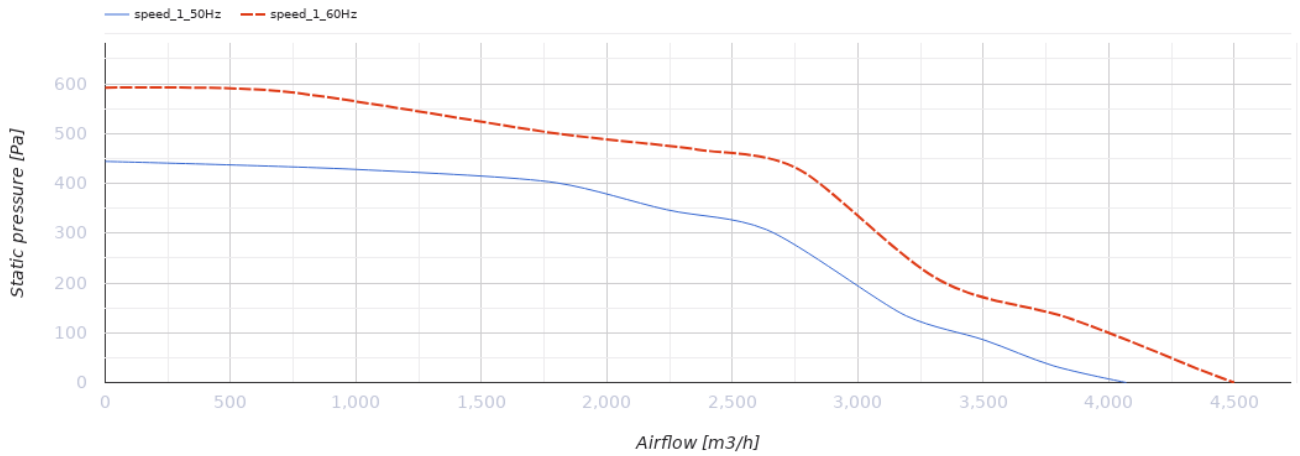


Box 60x35 4E max

Centrifugal inline fans with backward curved blades

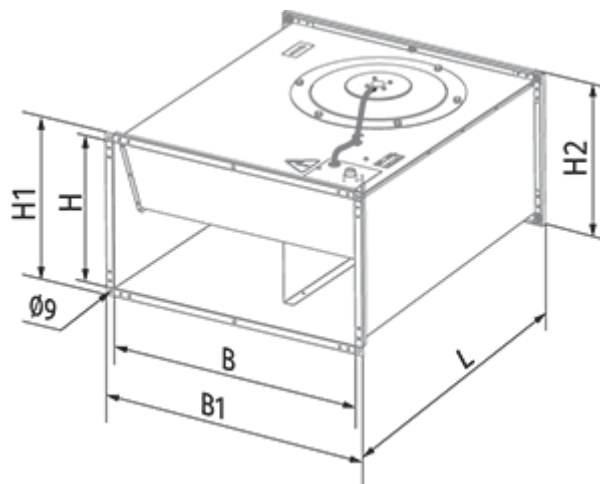
- Sound pressure level LpA at 3 m: 54
- Impeller type: Centrifugal impeller with backward curved blades
- Casing material: Galvanized steel
- Installation in any position

	Unit of measurement	Box 60x35 4E max
Connected air duct size	mm	600x350
Phases	-	1
Minimum supply voltage	V	220
Maximum supply voltage	V	240
Power supply frequency	Hz	50/60
Rated power	W	447
Unit current	A	1.97
Maximum airflow	m ³ /h	4070
Rotation speed at 50hz	-	1380
Sound pressure level LpA at 3 m	dB(A)	54
Weight	kg	30
Transported air temperature (max)	°C	60
Transported air temperature (min)	°C	-30
Ingress protection rating	-	IPX4
Ingress protection rating of the drive	-	IP44
Impeller material	-	Aluminium
Article	-	8086861



Dimensions

B	B1	H	H1	H2	L
600	640	350	390	390	652



Ecodesign

Trademark	Blauberg
Model	Box 60x35 4E max
Type of ventilation unit	Unidirectional
Type of drive installed	External MSD or VSD
Type of heat recovery system	None
Nominal external pressure (Pa)	347
Maximum external leakage rates (%)	2.7
Static efficiency (%)	51
Declared typology	NRVU UVU
Effective electric power input (kW)	0.432
Sound power level (dB(A))	78